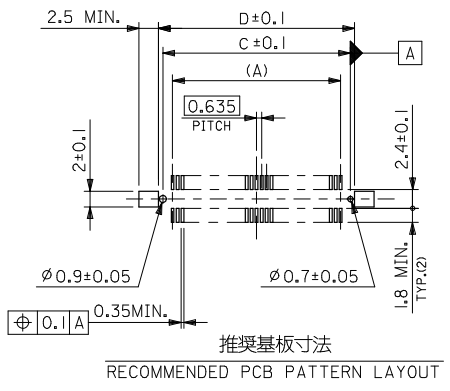
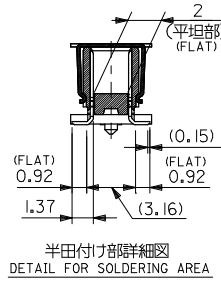
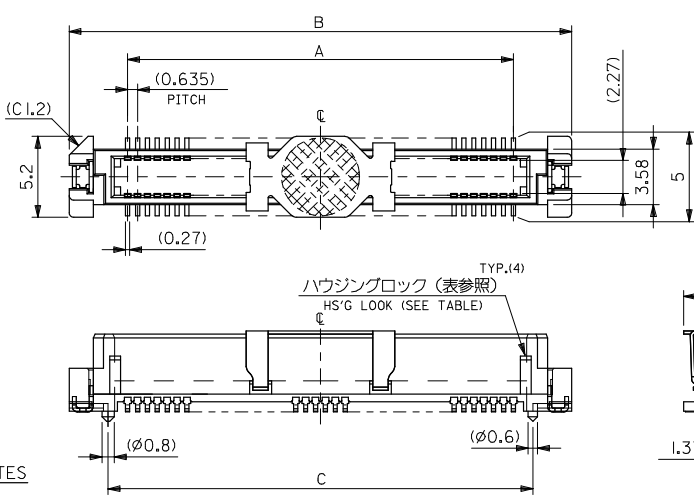


10 9 8 7 6 5 4 3 2 1



注) NOTES

- 材質 MATERIAL
ハウジング : ガラス入りLCP、黒色、UL94V-0
HOUSING: LIQUID CRYSTAL POLYMER (LCP), GLASS FILLED, BLACK, UL94V-0
ターミナル : 銅合金 (t=0.2)
TERMINAL: COPPER ALLOY
吸着カバー : ステンレス (t=0.2)
VACUUM COVER: STAINLESS STEEL
補強金具 : 銅合金 (t=0.25)
FITTING NAIL: COPPER ALLOY
- メッキ仕様 PLATING
ターミナル : 接点部 : 金メッキ 0.25 マイクロメートル以上。
CONTACT AREA : GOLD 0.25 MICROMETER MINIMUM.
半田付け部 : 錫メッキ 1.0 マイクロメートル以上。
SOLDER TAIL AREA : TIN 1.0 MICROMETER MINIMUM.
下地メッキ : ニッケルメッキ 1.5 マイクロメートル以上。
UNDER-PLATING : NICKEL 1.5 MICROMETER MINIMUM.
補強金具 : 銅メッキ 1.0 マイクロメートル以上。
FITTING NAIL : TIN 1.0 MICROMETER MINIMUM.
下地メッキ : ニッケルメッキ 1.0 マイクロメートル以上。
UNDER-PLATING: NICKEL 1.0 MICROMETER MINIMUM.
- テールのバラツキ寸法 TAIL COPPLANARITY
テール及び金具の平坦度は、0.1以下とする。
TAIL AND FITTING NAIL COPPLANARITY TO BE 0.1 MAXIMUM.
- エンボス対応済みの極数については、SD-55091-007を参照下さい。
FOR THE EMBOSSED PACKAGE PRODUCTS, SEE SD-55091-007.
- 本製品は55091-***2の鉛フリー品である。
THIS PRODUCT IS LEAD FREE OF 55091-***2.

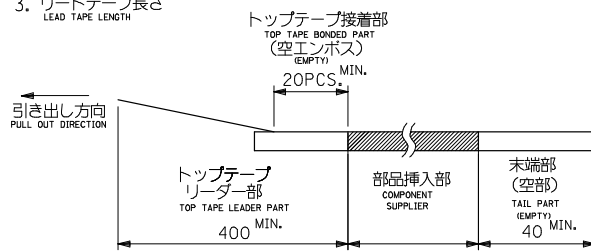
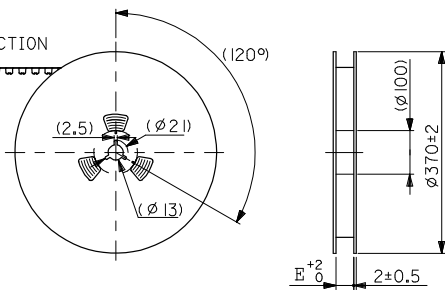
無し NO	79.17	78.07	83.07	75.565	←	55091-2475	55091-2472	240	○
	66.47	65.37	70.37	62.865	←	-2075	-2072	200	○
	60.12	59.02	64.02	56.515	←	-1875	-1872	180	○
	53.77	52.67	57.67	50.165	55091-1674	-1675	-1672	160	○
	47.42	46.32	51.32	43.815	55091-1474	-1475	-1472	140	○
	41.07	39.97	44.97	37.465	55091-1274	-1275	-1272	120	○
	34.72	33.62	38.62	31.115	55091-1074	-1075	-1072	100	○
	31.55	30.45	35.45	27.94	55091-0974	-0975	-0972	90	○
	28.37	27.27	32.27	24.765	55091-0874	-0875	-0872	80	○
	25.2	24.1	29.1	21.59	55091-0774	-0775	-0772	70	○
有り YES	24.56	23.46	28.46	20.955	←	-6875	-6872	68	○
	22.02	20.92	25.92	18.415	55091-0674	-0675	-0672	60	○
	18.85	17.75	22.75	15.24	55091-0574	-0575	-0572	50	○
	15.67	14.57	19.57	12.065	55091-0474	-0475	-0472	40	○
	12.5	11.4	16.4	8.89	55091-0374	-0375	-0372	30	○
9.32	8.22	13.22	5.715	55091-0274	-0275	-0272	20	○	

REVISED EC NO: J2009-0365 DRAWN BY: H.KAWABATA CHKD: THARYAMA APPR: NIKITA	GENERAL TOLERANCES (UNLESS SPECIFIED)		DIMENSION STYLE MM ONLY		SCALE ---	DESIGN UNITS METRIC	THIRD ANGLE PROJECTION
	10 UNDER	±0.2	DRAWN BY H. KAWABATA	DATE '04/03/05	TITLE 0.635 PITCH B-T0-B PLUG HS'G COVER ASS'Y -LEAD FREE-		
	10 OVER 30 UNDER	±0.25	CHECKED BY K. TOJO	DATE '04/03/05	MATERIAL NO. SEE TABLE		
	30 OVER	±0.3	APPROVED BY M. SASAO	DATE '04/03/05	DOCUMENT NO. SD-55091-006		
DESCRIPTION ANGULAR ±3° DRAFT WHERE APPLICABLE MUST REMAIN WITHIN DIMENSIONS	SIZE A3		THIS DRAWING CONTAINS INFORMATION THAT IS PROPRIETARY TO MOLEX INCORPORATED AND SHOULD NOT BE USED WITHOUT WRITTEN PERMISSION				

注)
NOTES

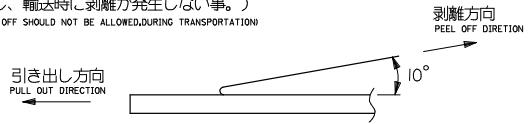
1. 製品番号 55091-***72 の詳細寸法については、SD-55091-006 を参照下さい。
IN THE PACKAGE, PART NO. 55901-***72 DETAILED DIMENSIONS, SEE SD-55091-006.
2. 梱包数量 : 1000 個/リール
NUMBER OF CONNECTORS : 1000 Pcs/REEL
3. リードテープ長さ
LEAD TAPE LENGTH

引き出し方向
PULL OUT DIRECTION



4. トップテープの剥離強度 : (剥離方向は下図参照)
THIS REQUIREMENT SHOULD BE APPLIED AT SHIPMENT
0. 1~1. 3N {10~130gf}

尚、本規格値は、出荷時に適用。
THIS REQUIREMENT SHOULD BE APPLIED AT SHIPMENT
(但し、輸送時に剥離が発生しない事。)
(PEEL OFF SHOULD NOT BE ALLOWED DURING TRANSPORTATION)



5. 材料

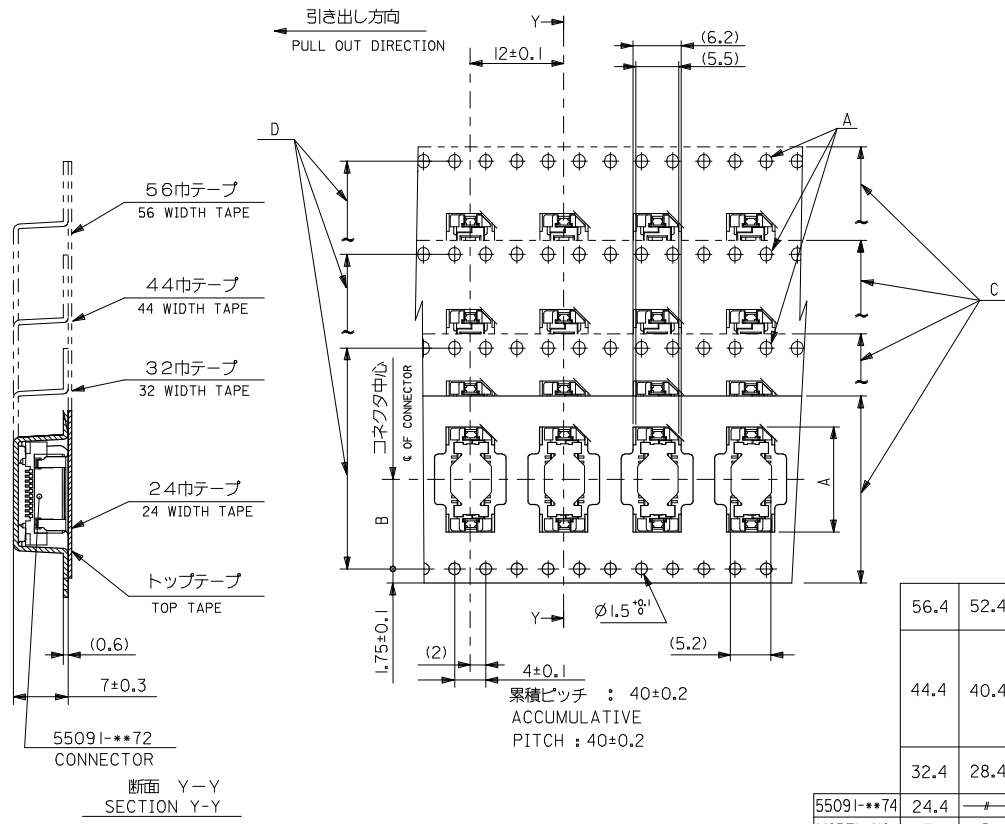
MATERIAL
キャリアテープ : ポリプロピレン (PP)
CARRIER TAPE : POLYPROPYLENE (PP)
トップテープ : PET, PE, PEF
TOP TAPE : PET, PE, PEF
リール : 紙
REEL : CARDBOARD

6. 本製品は55091-***4の鉛フリー品である。
THIS PRODUCT IS LEAD FREE OF 55091-***4.

MODEL NO. 55091-***74

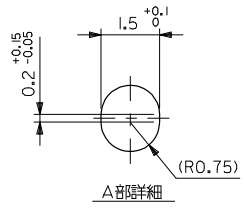
REVISED EC NO: J2009-0365 DRAWN BY: DRWNMBEL CHKD: THARYAMA APPR: NIKITA 2008/08/06 2008/08/07 2008/08/07	GENERAL TOLERANCES (UNLESS SPECIFIED)		DIMENSION STYLE MM ONLY		SCALE ---	DESIGN UNITS METRIC	THIRD ANGLE PROJECTION
	10 UNDER	±0.2	DRAWN BY KAWABATA	DATE '04/03/05	TITLE 55091-***72 TAPING PACKAGE -LEAD FREE-		
	10 OVER 30 UNDER	±0.25	CHECKED BY KTOJO	DATE '04/03/05			
	30 OVER	±0.3	APPROVED BY MSASAO	DATE '04/03/05	MOLEX INCORPORATED		
ANGULAR	±3°	MATERIAL NO. SEE SHEET 2,3	DOCUMENT NO. SD-55091-007	SHEET NO. 1 OF 3			
DRAFT WHERE APPLICABLE MUST REMAIN WITHIN DIMENSIONS		SIZE A3 THIS DRAWING CONTAINS INFORMATION THAT IS PROPRIETARY TO MOLEX INCORPORATED AND SHOULD NOT BE USED WITHOUT WRITTEN PERMISSION					

10 9 8 7 6 5 4 3 2 1



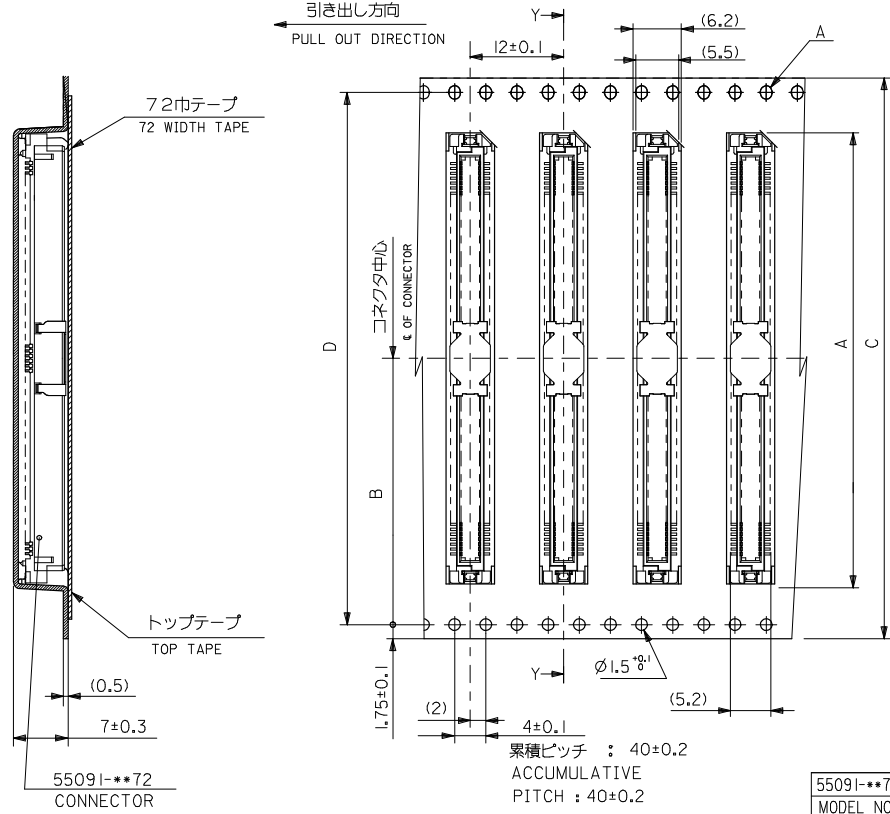
56.4	52.4	56 ^{+0.3}	26.2	38.9	55091-1074	100	○
				35.8	-0974	90	○
				32.6	-0874	80	○
				29.4	-0774	70	○
				28.8	-6874	68	-
				26.2	-0674	60	○
				23.1	-0574	50	○
				19.9	-0474	40	○
				16.7	-0374	30	○
						20	○
55091-**74	24.4	24 ^{+0.3}	11.5	13.5	55091-0274	20	○

MODEL NO	E	D	C	キャリアテープ幅 CARRIER TAPE WIDTH	B	A	MATERIAL NO.	積欠 NO OF EXIS. AVAILABLE
----------	---	---	---	--------------------------------	---	---	--------------	-----------------------------



REVISED E.C. NO: J2009-0365 DRAWN BY: 2008/08/06 CHYK:THARYAMA APPR:NIKITA 2008/08/07 REV. DESCRIPTION	GENERAL TOLERANCES (UNLESS SPECIFIED)		DIMENSION STYLE MM ONLY		SCALE ---	DESIGN UNITS METRIC	THIRD ANGLE PROJECTION
	10 UNDER	±0.2	DRAWN BY KAWABATA		DATE '04/03/05		TITLE 55091-**72 TAPING PACKAGE -LEAD FREE-
	10 OVER 30 UNDER	±0.25	CHECKED BY KTOJO		DATE '04/03/05		
	30 OVER	±0.3	APPROVED BY MSASAO		DATE '04/03/05		MOLEX INCORPORATED DOCUMENT NO. SD-55091-007
ANGULAR ±3°		MATERIAL NO. SEE TABLE		DOCUMENT NO. SD-55091-007		SHEET NO. 2 OF 3	
DRAFT WHERE APPLICABLE MUST REMAIN WITHIN DIMENSIONS			THIS DRAWING CONTAINS INFORMATION THAT IS PROPRIETARY TO MOLEX INCORPORATED AND SHOULD NOT BE USED WITHOUT WRITTEN PERMISSION				

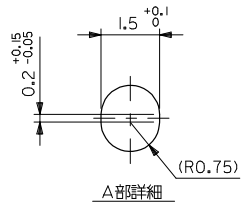
10 9 8 7 6 5 4 3 2 1



累積ピッチ : 40±0.2
ACCUMULATIVE PITCH : 40±0.2

MODEL NO.	55091-**74	E	D	C	キャリアテープ幅 C CARRIER TAPE WIDTH	(B)	(A)	MATERIAL NO.	58.0	55091-1674	160	○
									51.6	55091-1474	140	○
									45.3	55091-1274	120	○

REVISED EEC NO: J2009-0365 DRAWN BY: IRINIMABEI 2008/08/06 CHECKED BY: CHYKD:THARYAMA 2008/08/07 APPROVED BY: APPR:NIKIITA 2008/08/07 REV. DESCRIPTION	GENERAL TOLERANCES (UNLESS SPECIFIED)		DIMENSION STYLE	SCALE	DESIGN UNITS	THIRD ANGLE PROJECTION
			MM ONLY	---	METRIC	
	10 UNDER	±0.2	DRAWN BY	DATE	TITLE	
	10 OVER	±0.25	KAWABATA	'04/03/05	55091-**72 TAPING PACKAGE -LEAD FREE-	
30 OVER	±0.3	CHECKED BY	DATE	APPROVED BY		
30 UNDER	±0.25	KTOJO	'04/03/05	MSASAO		
ANGULAR	±3°	APPROVED BY	DATE	MOLEX INCORPORATED		
DRAFT WHERE APPLICABLE MUST REMAIN WITHIN DIMENSIONS		MATERIAL NO.	DATE	DOCUMENT NO.	SHEET NO.	
		SEE TABLE	'04/03/05	SD-55091-007	3 OF 3	
		SIZE	THIS DRAWING CONTAINS INFORMATION THAT IS PROPRIETARY TO MOLEX INCORPORATED AND SHOULD NOT BE USED WITHOUT WRITTEN PERMISSION			
		A3				



ib_frame_A3_J_ME_S Rev. D 2004/04/02 9 8 7 6 5 4 3 2 1 EN-02JA(021)