

NOTES

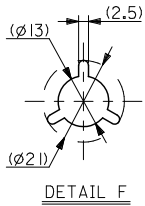
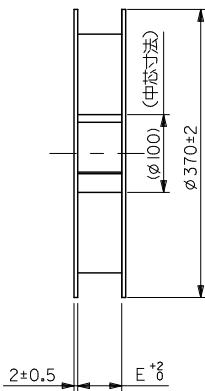
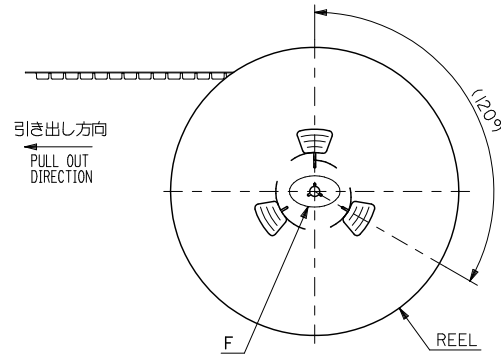
1. 材質
 MATERIAL
 ハウジング: ガラス入りPPS、茶色、UL94V-0
 HOUSING: POLYPHENYLENE SULFIDE, GLASS FILLED, BROWN, UL94V-0
 ターミナル: 銅合金 (t=0.2)、ニッケルメッキ下地1.0マイクromメートル以上
 TERMINAL: COPPER ALLOY, UNDER-PLATING NICKEL 1.0 MICROMETER MIN.
 接点部: 金メッキ 0.25マイクromメートル以上
 CONTACT AREA: GOLD 0.25 MICROMETER MIN.
 半田付け部: 金メッキ1.0マイクromメートル以上
 SOLDER TAIL AREA: TIN 1.0 MICROMETER MIN.
 ネール: リン青銅 (t=0.2)、ニッケルメッキ下地1.0マイクromメートル以上
 NAIL: PHOSPHOR BRONZE, UNDER-PLATING NICKEL 1.0 MICROMETER MIN.
 錫メッキ1.0マイクromメートル以上
 TIN 1.0 MICROMETER MIN.
 吸着カバー: ステンレス (t=0.2)
 VACUUM COVER: STAINLESS STEEL

2. テールのバラツキ寸法
 TAIL COPLANARITY
 テール平坦度は、0.1ミリ以下とする。
 TAILS COPLANARITY TO BE 0.1 MILLIMETER MAX.

	66.47	65.37	62.865	70.37	53627-2074	—	200
	53.77	52.67	50.165	57.67	—	53627-1675	160
	47.42	46.32	43.815	51.32	53627-1474	—	140
	41.07	39.97	37.465	44.97	—	-1274	120
	34.72	33.62	31.115	38.62	—	-1074	100
	31.55	30.45	27.94	35.45	—	-0974	80
	28.37	27.27	24.765	32.27	—	-0874	90
	25.2	24.1	21.59	29.1	—	-0774	70
	22.02	20.92	18.415	25.92	—	-0674	60
	18.85	17.75	15.24	22.75	—	-0574	50
	15.67	14.57	12.065	19.57	—	-0474	40
	12.5	11.4	8.89	16.4	—	-0374	30
	9.32	8.22	5.715	13.22	53627-0274	53627-0275	20
ハウジングロック HSG LOCK	D	C	B	A	エンボス梱包 EMBOSSED PACKAGE	スティック梱包 STICK PACKAGE	種数 CIRCUITS
CONNECTOR SERIES No.							53627-***72

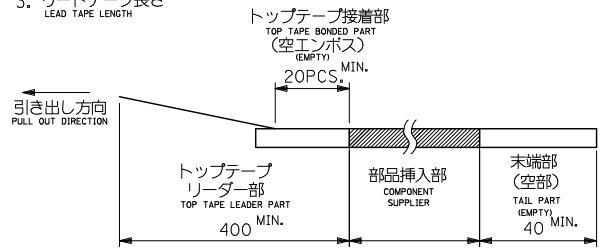
REVISED EC NO: J2010-2458 DRAWN BY: DRWNTKAIHO CHKD BY: SASAO APPR: MSASAO REV: B	GENERAL TOLERANCES (UNLESS SPECIFIED)		DIMENSION STYLE MM ONLY		SCALE ---	DESIGN UNITS METRIC	THIRD ANGLE PROJECTION
	10 UNDER	±0.2	DRAWN BY Y. SAKIYAMA	DATE 2004/03/05	TITLE 0.635 PITCH B/B CONN. PLUG HSG COVER ASSY -LEAD FREE-		
	10 OVER 30 UNDER	±0.25	CHECKED BY M. SASAO	DATE 2004/03/05	MOLEX INCORPORATED		
	30 OVER	±0.3	APPROVED BY M. SASAO	DATE 2004/03/05	DOCUMENT NO. SD-53627-001		
ANGULAR ±3°		DRAFT WHERE APPLICABLE MUST REMAIN WITHIN DIMENSIONS		MATERIAL NO. SEE CHART		SHEET NO. 1 OF 1	
SIZE A3				THIS DRAWING CONTAINS INFORMATION THAT IS PROPRIETARY TO MOLEX INCORPORATED AND SHOULD NOT BE USED WITHOUT WRITTEN PERMISSION			

10 9 8 7 6 5 4 3 2 1

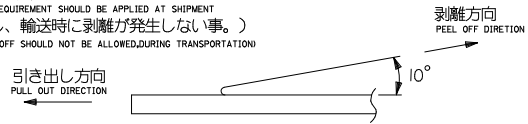


NOTES

1. 製品番号 53627-***72 の詳細寸法については SD-53627-001 を参照下さい。
IN THE PACKAGE, PART NO. 53627-***72 DETAILED DIMENSIONS, SEE SD-53627-001
2. 梱包数量 : 700個/リール
NUMBER OF CONNECTORS : 700 PCS/REEL
3. リードテープ長さ
LEAD TAPE LENGTH



4. トップテープの剥離強度 (剥離方向は下図参照)
PEELING OFF FORCE OF TOP TAPE (PEELING DIRECTION AS SHOWN IN FOLLOWING FIG.)
0.1 ~ 1.3N (10 ~ 130gf)
尚、本規格値は、出荷時に適用。
THIS REQUIREMENT SHOULD BE APPLIED AT SHIPMENT
(但し、輸送時に剥離が発生しない事。)
(PEEL OFF SHOULD NOT BE ALLOWED DURING TRANSPORTATION)

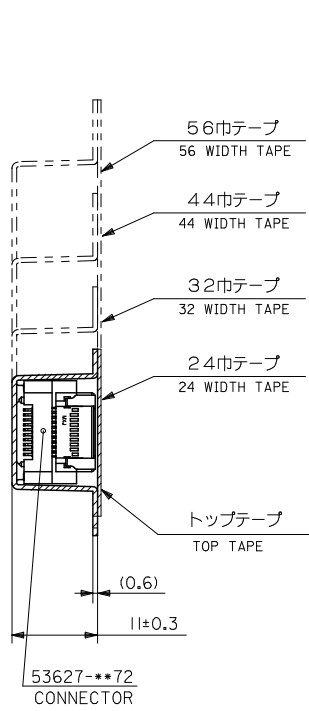


5. 材料
MATERIAL
キャリアテープ : ポリプロピレン (PP)
CARRIER TAPE : POLYPROPYLENE (PP)
トップテープ : PET, PE, PEF
TOP TAPE : PET, PE, PEF
リール : 紙
REEL : CARD BOARD

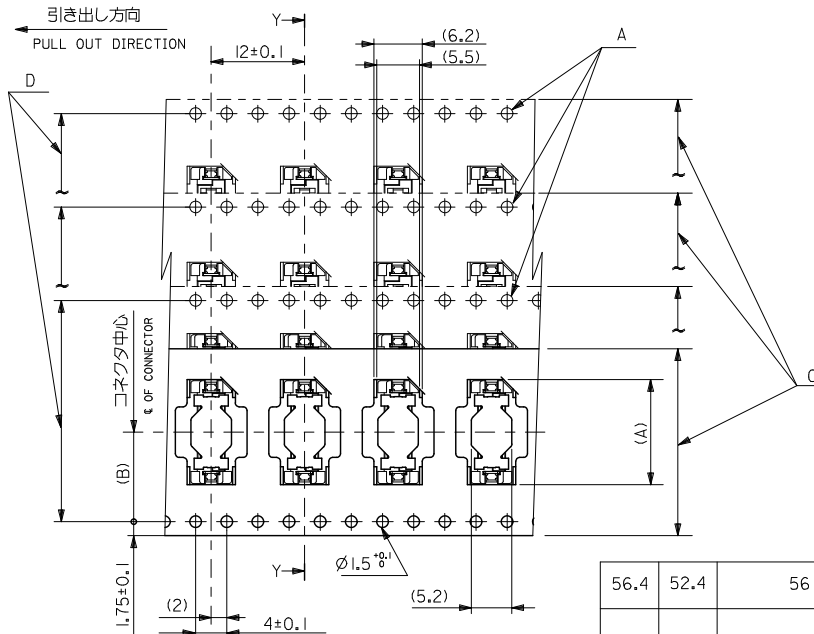
CONNECTOR SERIES No.		53627-***72	
SCALE	DESIGN UNITS	THIRD ANGLE PROJECTION	
---	METRIC		

REVISED EC NO: J2010-2458 DRW: KAIHO CHK: M. SASAO APP: M. SASAO	DESCRIPTION 2010/06/04 2010/06/10 2010/06/11	GENERAL TOLERANCES (UNLESS SPECIFIED)		DIMENSION STYLE MM ONLY	
		10 UNDER	±0.2	DRAWN BY	DATE
		10 OVER 30 UNDER	±0.25	Y. SAKIYAMA	2004/03/05
		30 OVER	±0.3	CHECKED BY	DATE
				M. SASAO	2004/03/05
		APPROVED BY	DATE	TITLE	
		M. SASAO	2004/03/05	EMBSTP PKG FOR 0.635 B/B PLUG HSG ASSY (H=10) -LEAD FREE-	
		MATERIAL NO.		DOCUMENT NO.	
		SEE CHART		MOLEX INCORPORATED	
		DRAFT WHERE APPLICABLE MUST REMAIN WITHIN DIMENSIONS		SD-53627-002	
		SIZE A3		SHEET NO. 1 OF 3	
		THIS DRAWING CONTAINS INFORMATION THAT IS PROPRIETARY TO MOLEX INCORPORATED AND SHOULD NOT BE USED WITHOUT WRITTEN PERMISSION			

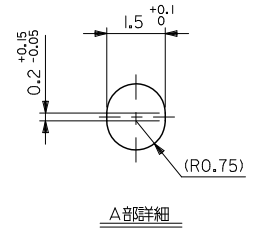
10 9 8 7 6 5 4 3 2 1



断面 Y-Y
SECTION Y-Y



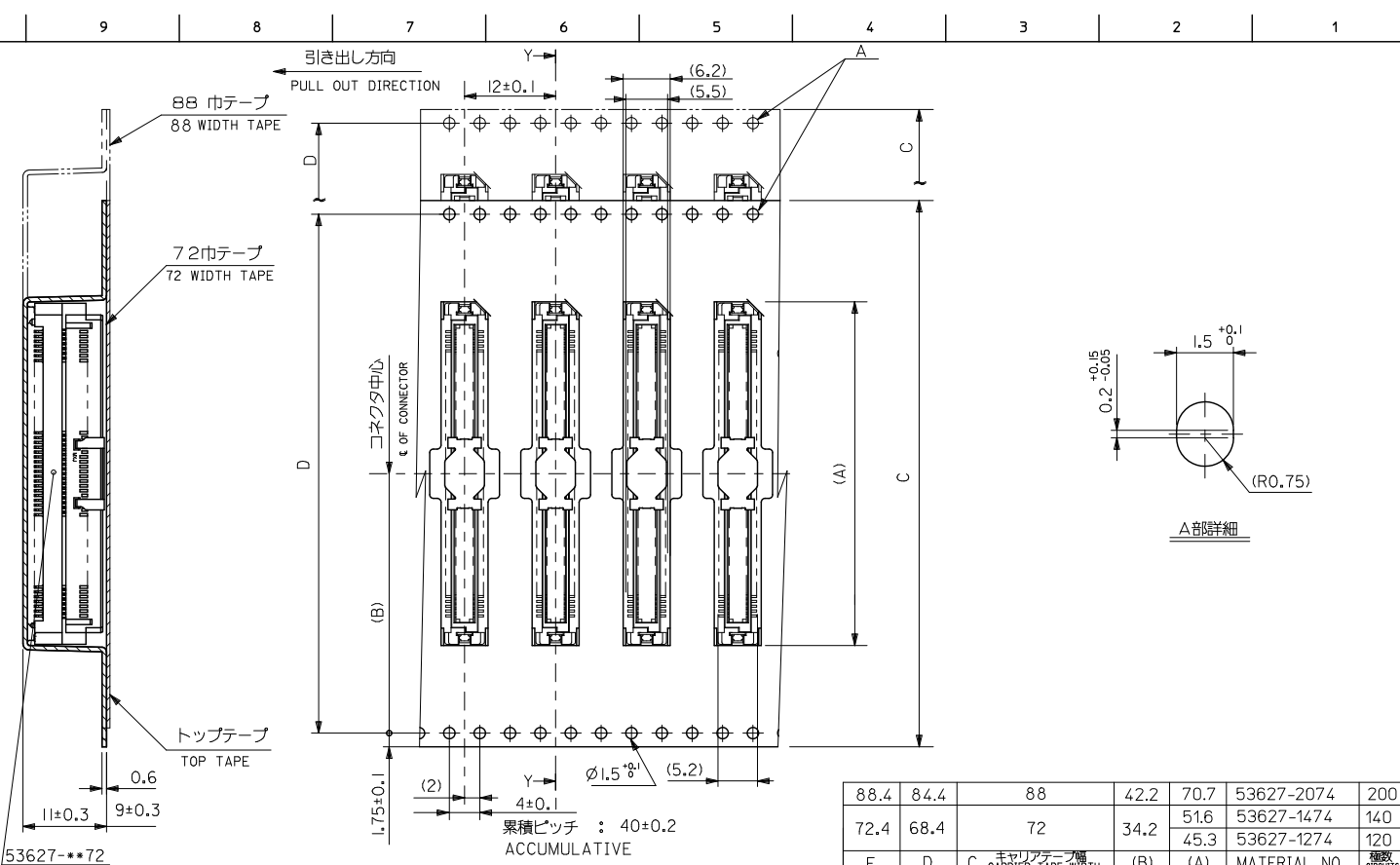
累積ピッチ : 40±0.2
ACCUMULATIVE PITCH : 40±0.2



A部詳細

56.4	52.4	56	26.2	38.9	53627-1074	100
				35.8	-0974	90
44.4	40.4	44	20.2	32.6	-0874	80
				29.4	-0774	70
				26.2	-0674	60
				23.1	-0574	50
32.4	28.4	32	14.2	19.9	-0474	40
				16.7	-0374	30
24.4	—	24	11.5	13.5	53627-0274	20
E	D	C	キャリアテープ幅 CARRIER TAPE WIDTH	(B)	(A)	MATERIAL NO. 回路 CIRCUITS

REVISED EEC NO: J2010-2458 DRAWN BY: DRWNTKAIHO 2010/06/04 CHECKED BY: CHYKDM SASAO 2010/06/10 APPROVED BY: APRRMSASAO 2010/06/11	GENERAL TOLERANCES (UNLESS SPECIFIED)		DIMENSION STYLE MM ONLY		SCALE ---	DESIGN UNITS METRIC	THIRD ANGLE PROJECTION
	10 UNDER	±0.2	DRAWN BY Y. SAKIYAMA	DATE 2004/03/05	TITLE EMBSTP PKG FOR 0.635 B/B PLUG HSG ASSY (H=10) -LEAD FREE-		
	10 OVER 30 UNDER	±0.25	CHECKED BY M. SASAO	DATE 2004/03/05	MOLEX INCORPORATED		
	30 OVER	±0.3	APPROVED BY M. SASAO	DATE 2004/03/05	DOCUMENT NO. SD-53627-002		
ANGULAR ±3°		DRAFT WHERE APPLICABLE MUST REMAIN WITHIN DIMENSIONS		MATERIAL NO. SEE CHART		SHEET NO. 2 OF 3	
SIZE A3				THIS DRAWING CONTAINS INFORMATION THAT IS PROPRIETARY TO MOLEX INCORPORATED AND SHOULD NOT BE USED WITHOUT WRITTEN PERMISSION			



断面 Y-Y
SECTION Y-Y

累積ピッチ : 40±0.2
ACCUMULATIVE PITCH : 40±0.2

88.4	84.4	88	42.2	70.7	53627-2074	200
72.4	68.4	72	34.2	51.6	53627-1474	140
				45.3	53627-1274	120
E	D	C	キャリアテープ幅 CARRIER TAPE WIDTH	(B)	(A)	MATERIAL NO. 種数 CIRCUITS

REVISED EC NO: J2010-2458 DRAWN: KAIHO CHKD: SASAO APPR: MSASAO	2010/06/04	2010/06/10	2010/06/11	
	DESCRIPTION	GENERAL TOLERANCES (UNLESS SPECIFIED)		
	10 UNDER	±0.2		
	10 OVER 30 UNDER	±0.25		
	30 OVER	±0.3		
	ANGULAR	±3 °		
	DRAFT WHERE APPLICABLE MUST REMAIN WITHIN DIMENSIONS			

DIMENSION STYLE MM ONLY		SCALE ---	DESIGN UNITS METRIC	THIRD ANGLE PROJECTION
DRAWN BY Y. SAKIYAMA	DATE 2004/03/05	TITLE EMBSTP PKG FOR 0.635 B/B PLUG HSG ASSY (H=10) -LEAD FREE-		
CHECKED BY M. SASAO	DATE 2004/03/05	MOLEX INCORPORATED		
APPROVED BY M. SASAO	DATE 2004/03/05	DOCUMENT NO. SD-53627-002	SHEET NO. 3 OF 3	
SIZE A3 THIS DRAWING CONTAINS INFORMATION THAT IS PROPRIETARY TO MOLEX INCORPORATED AND SHOULD NOT BE USED WITHOUT WRITTEN PERMISSION				