

推奨基板寸法 (参考)
RECOMMENDED PCB PATTERN LAYOUT (REF.)
(SCALE 2:1)

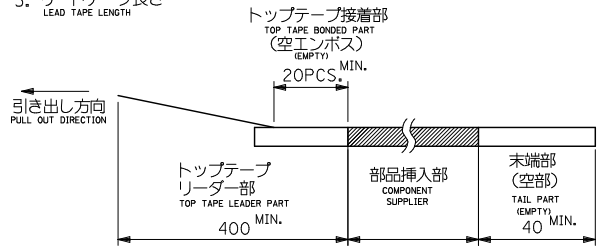
- 注) NOTES
- 材質
MATERIAL
ハウジング: ガラス入り LCP, 白色, UL94V-0
HOUSING: G.F.LCP, WHITE, UL94V-0
ターミナル: 銅合金 (t = 0.2)
TERMINAL: COPPER ALLOY
吸着カバー: ステンレス (t = 0.2)
VACUUM COVER: STAINLESS STEEL
補強金具: 銅合金 (t = 0.25)
FITTING NAIL: COPPER ALLOY
 - メッキ仕様
PLATING
ターミナル: 接点部: 金メッキ 0.25 マイクロメートル以上
CONTACT AREA: GOLD 0.25 MICROMETER MINIMUM
半田付け部: 鉛メッキ 1.0 マイクロメートル以上
SOLDER TAIL AREA: TIN 1.0 MICROMETER MINIMUM
下地メッキ: ニッケルメッキ 1.5 マイクロメートル以上
UNDER-PLATING: NICKEL 1.5 MICROMETER MINIMUM
銅メッキ 1.0 マイクロメートル以上
FITTING NAIL: TIN 1.0 MICROMETER MINIMUM
下地メッキ: ニッケルメッキ 1.0 マイクロメートル以上
UNDER-PLATING: NICKEL 1.0 MICROMETER MINIMUM
 - テールのバラツキ寸法
TAIL COPLANARITY
240極以下品のテール平坦度は0.1MAX.,
240極品のテール平坦度は0.12MAX.とする。
TAILS COPLANARITY TO BE 0.1MAX.
IN 240 CIRCUITS, TAILS COPLANARITY TO BE 0.12MAX.
 - エンボス対応済み品の種類については、SD-52885-004を参照下さい。
FOR THE EMBOSSED PACKAGE PRODUCTS, SEE SD-52885-004.

無し NO	80.47	78.87	75.565	84.07	52885-2474	240		
	67.77	66.17	62.865	71.37	52885-2074	200		
	55.07	53.47	50.165	58.67	52885-1674	160		
	48.72	47.12	43.815	52.32	52885-1474	140		
	42.37	40.77	37.465	45.97	52885-1274	120		
	36.02	34.42	31.115	39.62	52885-1074	100		
	32.85	31.25	27.94	36.45	▲	-0974	90	
	29.67	28.07	24.765	33.27		-0874	80	
	26.5	24.9	21.59	30.1		-0774	70	
	23.32	21.72	18.415	26.92		-0674	60	
有り YES	20.15	18.55	15.24	23.75		-0574	50	
	16.97	15.37	12.065	20.57		-0474	40	
	13.8	12.2	8.89	17.4		▼	-0374	30
	10.62	9.02	5.715	14.22			52885-0274	20
ハウジング HSG LOCK	D	C	B	A	エンボス梱包 EMBOSSED PACKAGING	極数 CKT. NO.		
CONNECTORS SERIES No.					52885-***72			

REVISED EC NO: J2010-2458 DRAWN: KAIHO 2010/06/04 CHKDK: TOJO 2010/06/10 APPR: MSASAO 2010/06/11 REV	GENERAL TOLERANCES (UNLESS SPECIFIED)		DIMENSION STYLE MM ONLY	SCALE ---	DESIGN UNITS METRIC	THIRD ANGLE PROJECTION
	10 UNDER	± 0.2	DRAWN BY M. NAGATA	DATE 2004/02/25	TITLE 0.635 PITCH B TO B S/T REC. HSG ASSY -LEAD FREE-	
	10 OVER 30 UNDER	± 0.25	CHECKED BY K. TOJO	DATE 2004/02/25	MOLEX INCORPORATED	
	30 OVER	± 0.3	APPROVED BY M. SASAO	DATE 2004/02/25	MATERIAL NO. SEE CHART	DOCUMENT NO. SD-52885-003
ANGULAR ± 3 ° DRAFT WHERE APPLICABLE MUST REMAIN WITHIN DIMENSIONS			SIZE A THIS DRAWING CONTAINS INFORMATION THAT IS PROPRIETARY TO MOLEX INCORPORATED AND SHOULD NOT BE USED WITHOUT WRITTEN PERMISSION			

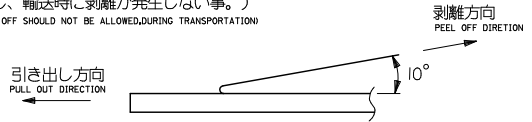
注)
NOTES

1. 製品番号 52885-***72 の詳細寸法については SD-52885-003 を参照下さい。
IN THE PACKAGE, PART NO. 52885-***72 DETAILED DIMENSIONS, SEE SD-52885-003
2. 梱包数量 : 1000個/リール
NUMBER OF CONNECTORS : 1000 PCS/REEL
3. リードテープ長さ
LEAD TAPE LENGTH



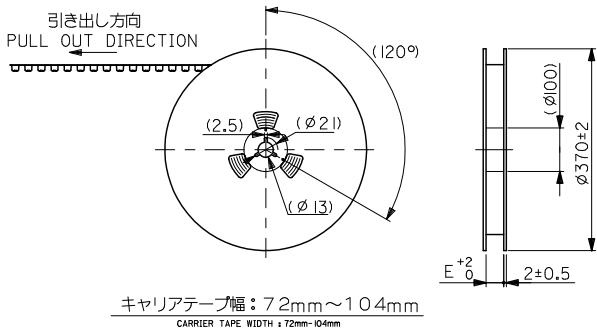
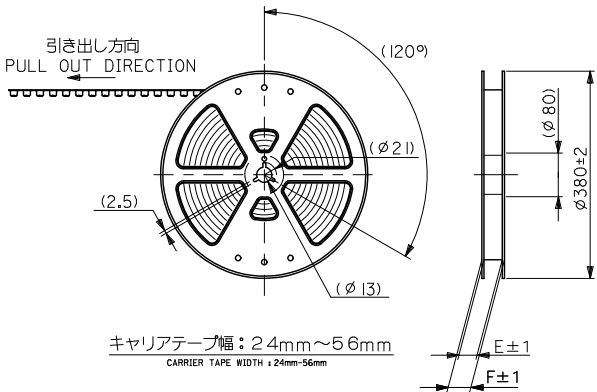
4. トップテープの剥離強度 (剥離方向は下図参照)
PEELING OFF FORCE OF TOP TAPE (PEELING DIRECTION AS SHOWN IN FOLLOWING FIG.)
0.1~0.3N {10~130gf}

尚、本規格値は、出荷時に適用。
THIS REQUIREMENT SHOULD BE APPLIED AT SHIPMENT
(但し、輸送時に剥離が発生しない事。)
(PEEL OFF SHOULD NOT BE ALLOWED DURING TRANSPORTATION)



5. 材料

MATERIAL
 キャリアテープ : ポリプロピレン (PP)
 CARRIER TAPE : POLYPROPYLENE (PP)
 トップテープ : PET, PE, PEF
 TOP TAPE : PET, PE, PEF
 リール : キャリアテープ幅 24mm~56mm : ポリスチレン
 REEL : CARRIER TAPE WIDTH 24mm-56mm : POLYSTYRENE
 キャリアテープ幅 72mm~104mm : 紙
 CARRIER TAPE WIDTH 72mm-104mm : CARD BOARD

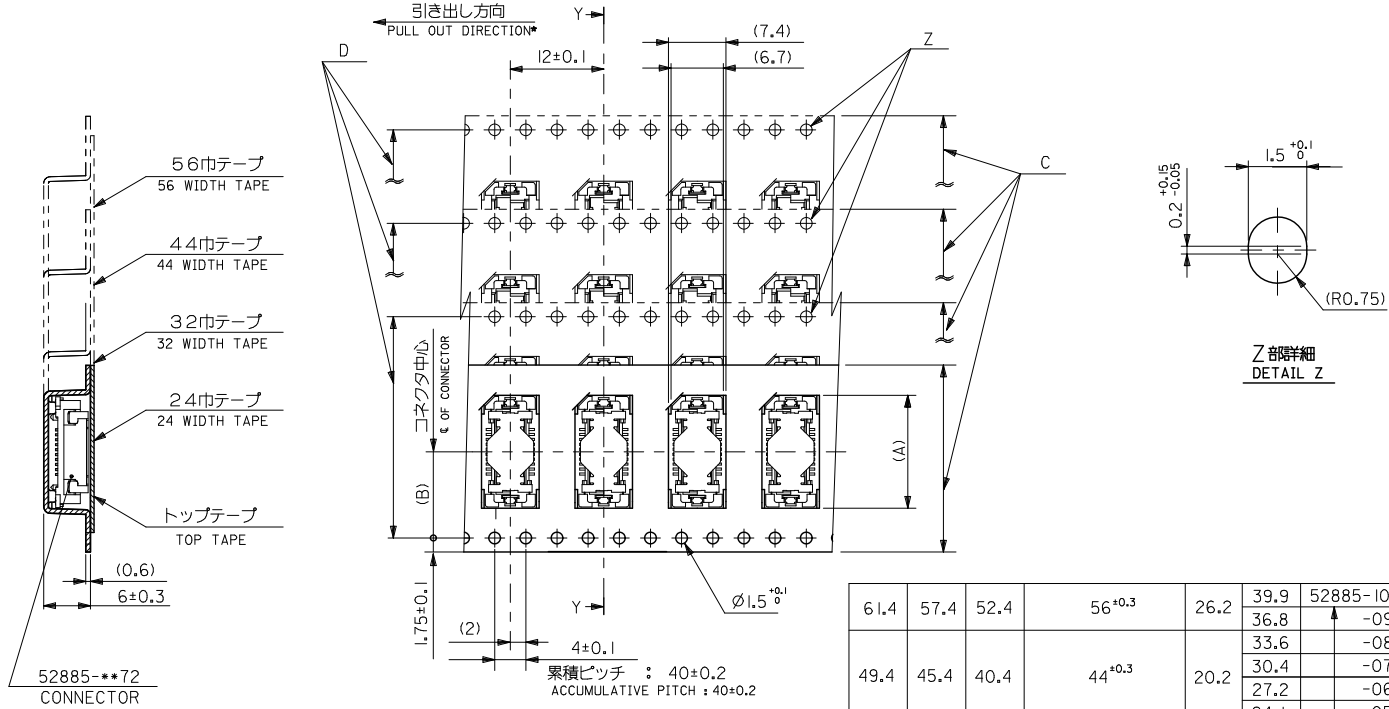


CONNECTOR SERIES No.		52885-***72	
SCALE	DESIGN UNITS	THIRD ANGLE PROJECTION	
---	METRIC		

REVISED EC NO: J2010-2458 DRAWN BY: DRWN:KAIHO CHECKED BY: CHYDK:TOJO APPROVED BY: APPR:MSASAO	GENERAL TOLERANCES (UNLESS SPECIFIED)		DIMENSION STYLE MM ONLY	
	10 UNDER	±---	DRAWN BY	DATE
	10 OVER 30 UNDER	±---	M. NAGATA	2004/02/25
	30 OVER	±---	CHECKED BY	DATE
	ANGULAR	±--- °	K. TOJO	2004/02/25
	DRAFT WHERE APPLICABLE MUST REMAIN WITHIN DIMENSIONS		APPROVED BY	DATE
			M. SASAO	2004/02/25
			MATERIAL NO. SEE TABLE	

TITLE		52885-***72 TAPING PACKAGE -LEAD FREE-	
MOLEX INCORPORATED		DOCUMENT NO.	
SD-52885-004		SHEET NO.	
1 OF 3		THIS DRAWING CONTAINS INFORMATION THAT IS PROPRIETARY TO MOLEX INCORPORATED AND SHOULD NOT BE USED WITHOUT WRITTEN PERMISSION	

10 9 8 7 6 5 4 3 2 1

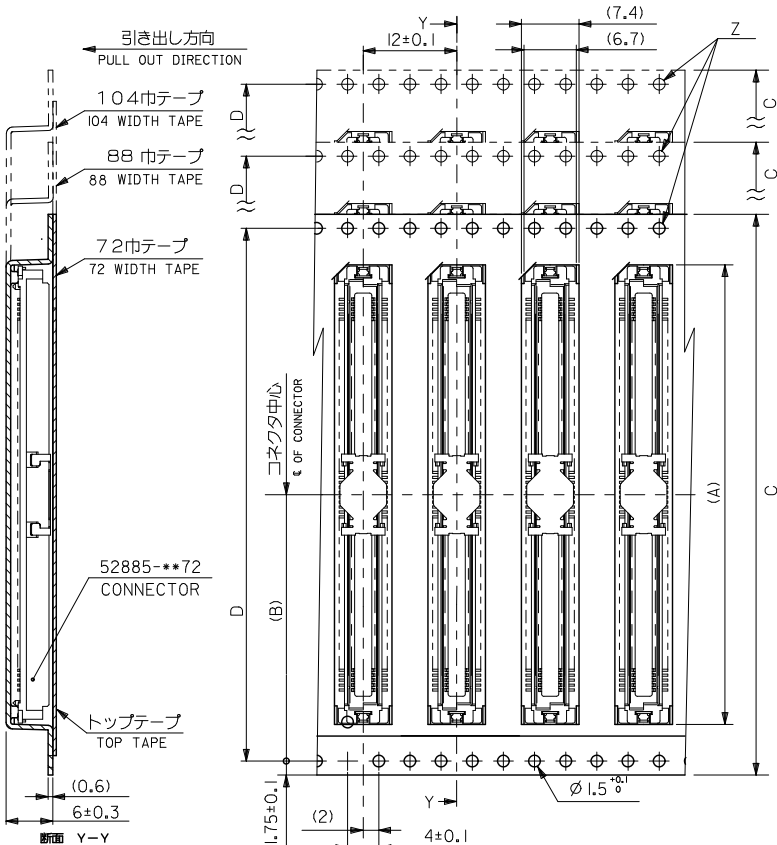


断面 Y-Y
SECTION Y-Y

61.4	57.4	52.4	56 ^{+0.3}	26.2	39.9	52885-1074	100
					36.8	-0974	90
					33.6	-0874	80
49.4	45.4	40.4	44 ^{+0.3}	20.2	30.4	-0774	70
					27.2	-0674	60
					24.1	-0574	50
37.4	33.4	28.4	32 ^{+0.3}	14.2	20.9	-0474	40
					17.7	-0374	30
29.4	25.4	—	24 ^{+0.3}	11.5	14.5	52885-0274	20
F	E	D	C	キャリアテープ幅 CARRIER TAPE WIDTH	(B)	(A)	MATERIAL NO. 種別 CKT.No.

REVISED EC NO: J2010-2458 DRW: KAIHO 2010/06/04 CHK: K. TOJO 2010/06/10 APPR: M. SASAO 2010/06/11	GENERAL TOLERANCES (UNLESS SPECIFIED)		DIMENSION STYLE MM ONLY		SCALE ---	DESIGN UNITS METRIC	THIRD ANGLE PROJECTION
	10 UNDER	± ---	DRAWN BY M. NAGATA	DATE 2004/02/25	TITLE 52885-***72 TAPING PACKAGE -LEAD FREE-		
	10 OVER 30 UNDER	± ---	CHECKED BY K. TOJO	DATE 2004/02/25	MOLEX INCORPORATED		
	30 OVER	± ---	APPROVED BY M. SASAO	DATE 2004/02/25	DOCUMENT NO. SD-52885-004	SHEET NO. 2 OF 3	
DESCRIPTION	ANGULAR ± --- °	DRAFT WHERE APPLICABLE MUST REMAIN WITHIN DIMENSIONS		SEE TABLE		THIS DRAWING CONTAINS INFORMATION THAT IS PROPRIETARY TO MOLEX INCORPORATED AND SHOULD NOT BE USED WITHOUT WRITTEN PERMISSION	

10 9 8 7 6 5 4 3 2 1



累積ピッチ : 40±0.2
ACCUMULATIVE PITCH : 40±0.2

104.4	100.4	104 ^{+0.3}	50.2	84.4	52885-2474	240
88.4	84.4	88 ^{+0.3}	42.2	71.7	52885-2074	200
				59.0	52885-1674	160
72.4	68.4	72 ^{+0.3}	34.2	52.6	52885-1474	140
				46.3	52885-1274	120
E	D	C	キャリアテープ幅 CARRIER TAPE WIDTH	(B)	(A)	MATERIAL NO. 種別 CRT. NO.

REVISED EC NO: J2010-2458 DRAWN: KAIHO 2010/06/04 CHECKED: TOJO 2010/06/10 APPROVED: SASAO 2010/06/11 (REV) DESCRIPTION	GENERAL TOLERANCES (UNLESS SPECIFIED)		DIMENSION STYLE MM ONLY		SCALE ---	DESIGN UNITS METRIC	THIRD ANGLE PROJECTION
	10 UNDER	±---	DRAWN BY M. NAGATA	DATE 2004/02/25	TITLE 52885-***72 TAPING PACKAGE -LEAD FREE-		
	10 OVER 30 UNDER	±---	CHECKED BY K. TOJO	DATE 2004/02/25	MOLEX INCORPORATED		
	30 OVER	±---	APPROVED BY M. SASAO	DATE 2004/02/25	DOCUMENT NO. SD-52885-004		
ANGULAR ±--- °		MATERIAL NO. SEE TABLE		SHEET NO. 3 OF 3		EN-02JA(021)	
DRAFT WHERE APPLICABLE MUST REMAIN WITHIN DIMENSIONS		THIS DRAWING CONTAINS INFORMATION THAT IS PROPRIETARY TO MOLEX INCORPORATED AND SHOULD NOT BE USED WITHOUT WRITTEN PERMISSION					