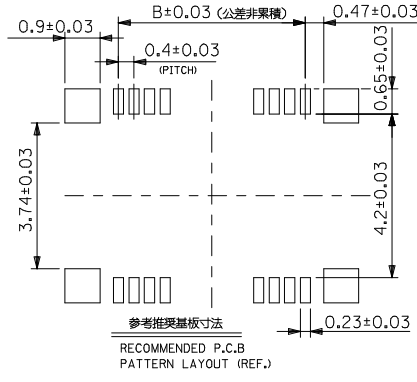
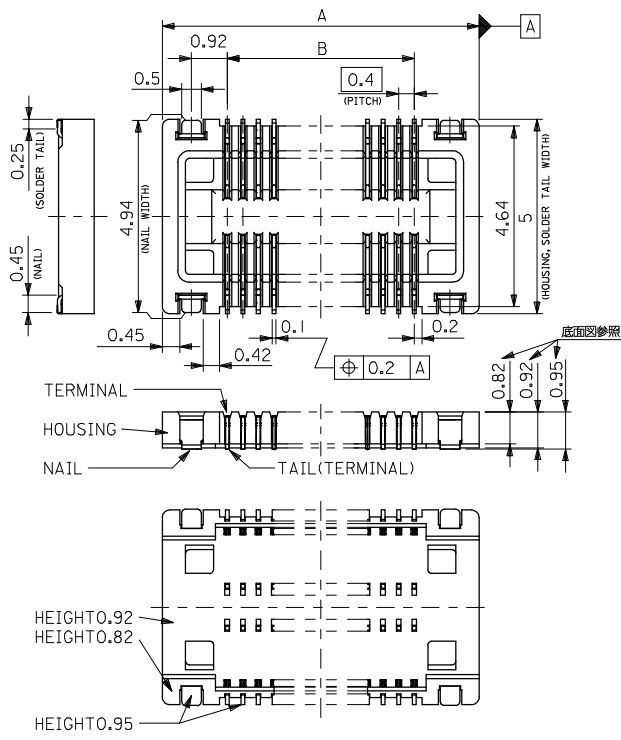


10 9 8 7 6 5 4 3 2 1

- 注記 1. 材質 MATERIAL  
NOTES  
 ハウジング : 液晶ポリマー-UL94V-0  
 HOUSING : LIQUID CRYSTAL POLYMER [LCP] UL94V-0  
 ターミナル : 銅合金  
 TERMINAL : COPPER ALLOY  
 ネール : 銅合金  
 NAIL : COPPER ALLOY  
 2. メッキ仕様 PLATING  
 接点部 : 金メッキ 0.1µm  
 CONTACT AREA : GOLD PLATING 0.1µm  
 半田付け部 : 金メッキ 0.1µm  
 SOLDER TAIL AREA : GOLD PLATING 0.1µm  
 下地メッキ : ニッケルメッキ 1.0µm  
 UNDER PLATING : NICKEL PLATING 1.0µm  
 ネール : 錫メッキ 1.0µm  
 NAIL : TIN PLATING 1.0µm  
 下地メッキ : ニッケルメッキ 1.0µm  
 UNDER PLATING : NICKEL PLATING 1.0µm  
 3. テール及びネールの平坦度は 0.1 以下  
 TAIL AND NAIL COPLANARITY : 0.1 MAX.  
 4. 嵌合相手 : 500027 シリーズ  
 MATE WITH : 500027 SERIES  
 5. 本製品は 500024-\*\*\*19 の組付用部品である。  
 THIS PRODUCT IS LEAD FREE OF 500024-\*\*\*19



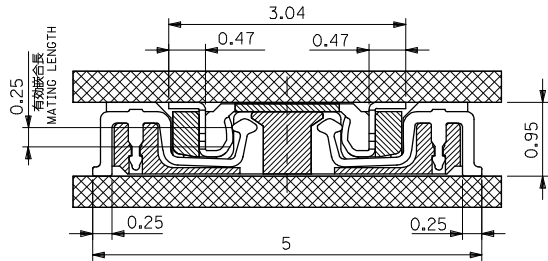
7.74	4.4	500024-2481	500024-2418	24
6.94	3.6	500024-2081	500024-2018	20
6.14	2.8	500024-1681	500024-1618	16
A	B	EMBOSSED TAPE PKG. ORDER No. オーダー番号	MATERIAL No.	CIRCUIT
			500024-***18	MODEL NO.

REVISED EC NO: J2009-0301 DRAWN BY: DRWN:MABEL CHKD: THARYAMA APPR: NIKITA 2008/08/27 2008/08/28 2008/08/28	GENERAL TOLERANCES (UNLESS SPECIFIED)		DIMENSION STYLE MM ONLY	SCALE ---	DESIGN UNITS METRIC	THIRD ANGLE PROJECTION
	10 UNDER	±0.2	DRAWN BY HSHIMABUKURO	DATE 2004/03/10	TITLE 0.4MM B/B CONN. H=0.95 REC. HS'G ASS'Y -LAED FREE-	
	10 OVER 30 UNDER	±0.25	CHECKED BY KT0JO	DATE 2004/03/10	MOLEX INCORPORATED	
	30 OVER	±0.3	APPROVED BY MSASAO	DATE 2004/03/10	DOCUMENT NO. SD-500024-020	SHEET NO. 1 OF 2
	ANGULAR	±3 °	MATERIAL NO. SEE TABLE	THIS DRAWING CONTAINS INFORMATION THAT IS PROPRIETARY TO MOLEX INCORPORATED AND SHOULD NOT BE USED WITHOUT WRITTEN PERMISSION		
DRAFT WHERE APPLICABLE MUST REMAIN WITHIN DIMENSIONS						

ib\_frame\_A3\_J\_ME\_S  
Rev. E 2006/04/15

EN-02JA(021)

10 9 8 7 6 5 4 3 2 1

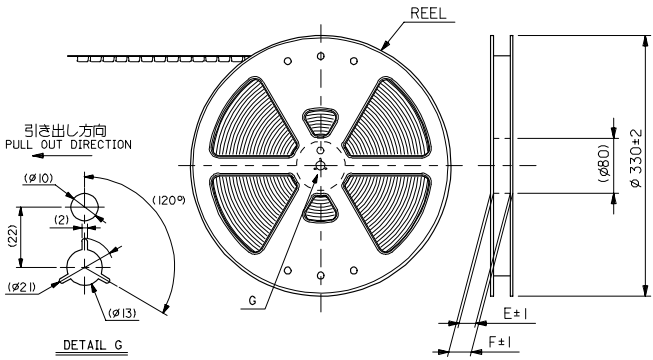


嵌合断面图 (参考)  
MATED DRAWING

REVISED E.C. NO: J2009-0301 DRAWN BY: HIRAHARA 2008/08/27 CHECKED BY: CHYKD:THAYAMA 2008/08/28 APPROVED BY: APPR:NIKI TA 2008/08/28	GENERAL TOLERANCES (UNLESS SPECIFIED)		DIMENSION STYLE MM ONLY	SCALE ---	DESIGN UNITS METRIC	THIRD ANGLE PROJECTION
	10 UNDER	±0.2	DRAWN BY HSHIMABUKURO	DATE 2004/03/10	TITLE 0.4MM B/B CONN. H=0.95 REC. HS'G ASS'Y -LEAD FREE-	
	10 OVER 30 UNDER	±0.25	CHECKED BY KT0J0	DATE 2004/03/10	APPROVED BY MSASAO	
	30 OVER	±0.3	APPROVED BY MSASAO	DATE 2004/03/10	MOLEX INCORPORATED	
	ANGULAR ±3°		MATERIAL NO. SEE SHEET 1	DOCUMENT NO. SD-500024-020	SHEET NO. 2 OF 2	
	DRAFT WHERE APPLICABLE MUST REMAIN WITHIN DIMENSIONS		THIS DRAWING CONTAINS INFORMATION THAT IS PROPRIETARY TO MOLEX INCORPORATED AND SHOULD NOT BE USED WITHOUT WRITTEN PERMISSION			

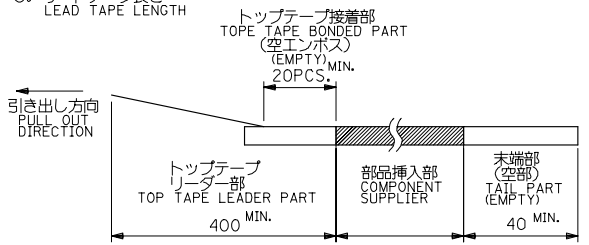
9 8 7 6 5 4 3 2 1 EN-02JA(021)

10 9 8 7 6 5 4 3 2 1



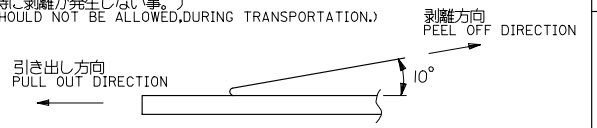
注)  
NOTES

- 製品番号500024-\*\*\*18 詳細寸法については、製品単体図面を参照下さい。  
IN THE PACKAGE PART NUMBER 500024-\*\*\*18 DETAILED DIMENSIONS, SEE SALES DRAWING FOR CONNECTOR.
- 梱包数量：2000個/リール  
NUMBER OF CONNECTORS : 2000 PCS/REEL.
- リードテープ長さ  
LEAD TAPE LENGTH



- トップテープの剥離強度：(剥離方向は下図参照)  
PEELING OFF FORCE OF TOP TAPE (PELLING DIRECTION AS SHOWN IN FOLLOWING FIGURE.)  
0.1~1.3N(10~130gf)

尚、本規格値は、出荷時に適用。  
THIS REQUIREMENT SHOULD BE APPLIED AT SHIPMENT.  
(但し、輸送時に剥離が発生しない事。)  
(PEEL OFF SHOULD NOT BE ALLOWED, DURING TRANSPORTATION.)



- 材料  
MATERIAL  
キャリアテープ：ポリプロピレン (PP)  
CARRIER TAPE: POLYPROPYLENE (PP)  
トップテープ：PET, PE, PEF  
TOP TAPE: PET, PE, PEF  
リール：ポリスチレン  
REEL : POLYSTYRENE

- 本製品は 500024-\*\*\*11 の鉛フリー品である。  
THIS PRODUCT IS LEAD FREE OF 500024-\*\*\*11

500024-\*\*\*81 MODEL NO.

REVISED REV. B	IEC NO. J2005-1634	2005/02/15	DRW:KENSUZUKI	2005/02/15	CHK:KINUKITA	2005/02/15	APP:MIKITA	2005/02/15	DESCRIPTION	GENERAL TOLERANCES (UNLESS SPECIFIED)	DIMENSION STYLE MM ONLY	SCALE ---	DESIGN UNITS METRIC	THIRD ANGLE PROJECTION
	10 UNDER	±0.2	DRAWN BY HSHI MABUKURO		DATE 2004/03/10		TITLE 500024-***18 TAPING PACKAGE -LEAD FREE-							
	10 OVER 30 UNDER	±0.25	CHECKED BY KTOJO		DATE 2004/03/10		APPROVED BY MSASAO							
	30 OVER	±0.3	APPROVED BY MSASAO		DATE 2004/03/10		MATERIAL NO. SEE CHART							
	ANGULAR	±3 °	DRAFT WHERE APPLICABLE MUST REMAIN WITHIN DIMENSIONS		SIZE A3		THIS DRAWING CONTAINS INFORMATION THAT IS PROPRIETARY TO MOLEX INCORPORATED AND SHOULD NOT BE USED WITHOUT WRITTEN PERMISSION					DOCUMENT NO. SD-500024-021	SHEET NO. 1 OF 2	

10 9 8 7 6 5 4 3 2 1

F

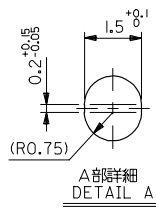
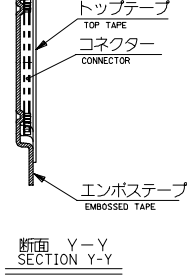
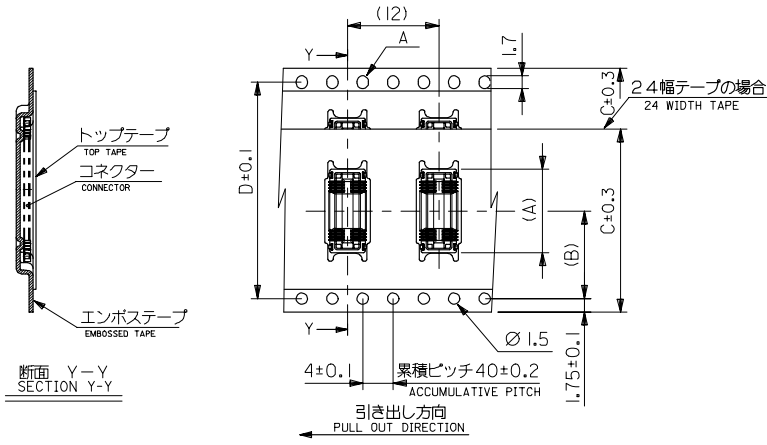
E

D

C

B

A



7.74	11.5	24	—	25.4	29.4	500024-2418	500024-2481	24
6.94	11.5	24	—	25.4	29.4	500024-2018	500024-2081	20
6.14	11.5	24	—	25.4	29.4	500024-1618	500024-1681	16
(A)	(B)	C	D	E	F	CONNECTOR	MATERIAL No.	CIRCUIT

REVISED IEC NO. J2005-1634 DRAWN: HSHI MABUKURO CHKD: CHIKO NIKITA APPR: NAOKI NIKITA 2005/02/15 2005/02/15 2005/02/15	GENERAL TOLERANCES (UNLESS SPECIFIED)		DIMENSION STYLE MM ONLY		SCALE ---	DESIGN UNITS METRIC	MODEL NO. 500024-***81	
	10 UNDER	±0.2	DRAWN BY HSHI MABUKURO	DATE 2004/03/10	TITLE 500024-***18 TAPING PACKAGE -LEAD FREE-			
	10 OVER 30 UNDER	±0.25	CHECKED BY KTOJO	DATE 2004/03/10	MOLEX INCORPORATED			
	30 OVER	±0.3	APPROVED BY MSASAO	DATE 2004/03/10	DOCUMENT NO. SD-500024-021			
	ANGULAR ±3 °	DRAFT WHERE APPLICABLE MUST REMAIN WITHIN DIMENSIONS		SEE CHART		SHEET NO. 2 OF 2		
THIS DRAWING CONTAINS INFORMATION THAT IS PROPRIETARY TO MOLEX INCORPORATED AND SHOULD NOT BE USED WITHOUT WRITTEN PERMISSION				EN-02JA(021)				