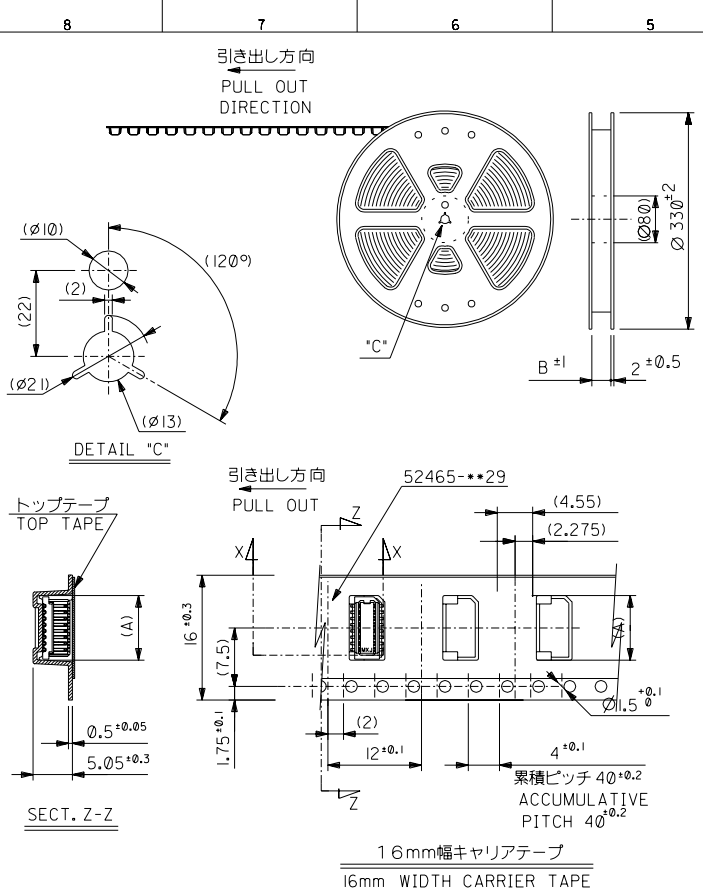


NOTES

- 嵌合相手：53307, 53309 シリーズ
MATES WITH 53307, 53309 SERIES
- ハウジングの ϕ から隣接するターミナルの ϕ 迄の位置を示す。
SHOW POSITION FROM ϕ OF HOUSING TO ϕ OF ADJACENT TERMINALS.
- 一对の基板の嵌合に於いて、本製品を2個以上使用することは推奨できません。
MXJ DOSE NOT RECOMMEND THE USAGE OF TWO OR MORE OF THESE CONNECTORS BETWEEN A SINGLE PAIR OF P. C. BOARD.
- 本製品は 52465-***27 の鉛フリー品である。
THIS PRODUCT IS LEAD FREE OF 52465-***27.
- ELV 及び RoHS 適合品
ELV AND RoHS COMPLIANT

REVISED EC NO: J2010-0755 DRAWN: TAKAGAWA01 2008/12/17 CHKD: SMARYAMA 2010/03/24 APPR: SASAO 2010/03/25 A	DESCRIPTION	GENERAL TOLERANCES (UNLESS SPECIFIED)		DIMENSION STYLE MM ONLY		SCALE 10:1	DESIGN UNITS METRIC		THIRD ANGLE PROJECTION	
		10 UNDER	±0.2	DRAWN BY Y. SAKIYAMA	DATE 2004/02/17	TITLE 0.8 BOARD TO BOARD CONN. HOUSING ASSY SMT				
		10 OVER 30 UNDER	±0.25	CHECKED BY M. SASAO	DATE 2004/02/17					
		30 OVER	±0.3	APPROVED BY M. SASAO	DATE 2004/02/17					
ANGULAR ±3°		DRAFT WHERE APPLICABLE MUST REMAIN WITHIN DIMENSIONS		MATERIAL NO. SEE TABLE		DOCUMENT NO. SD-52465-028		SHEET NO. 1 OF 1		

DWG. NO. SD-52465-029



NOTES

- 梱包数量: 1000個/リール NUMBER OF CONNECTORS: 1000PCS/REEL
- リードテープ長さ LEAD TAPE LENGTH
 トップテープ リーダー部 TOP TAPE LEADER PART 175⁺²⁵
 トップテープ 未接着部 TOP TAPE NON-BONDED PART 25⁺⁵
 リーダー部 (空部) LEADER PART (EMPTY) 120⁺²⁰
 部品挿入部 COMPONENT SUPPLIER
 末端空部 (空部) TAIL PART (EMPTY) 150⁺⁴⁰
- トップテープの剥離強度: 0.1~1.3N (10~130gf) (剥離方向は下図参照)
 尚、本規格値は、出荷時に適用。(但し、輸送時に剥離が発生しない事。)
 PEELING OFF FORCE OF TOP TAPE: 0.1~1.3N (10~130gf)
 (PEELING DIRECTION AS SHOWN IN FOLLOWING FIG.)
 THIS REQUIREMENT SHOULD BE APPLIED AT SHIPMENT
 PEEL OFF SHOULD NOT BE ALLOWED, DURING TRANSPORTATION
- 材料
 キャリアテープ: ポリプロピレン (PP) CARRIER TAPE: POLYPROPYLENE
 トップテープ: PET, PE, PEF TOP TAPE: PET, PE, PEF
 リール: ポリスチレン (PS) REEL: POLYSTYRENE (PS)
 <リサイクル材を含む> <RECYCLE MATERIAL CONTAINED>
- 本製品は 52465-**-91 の鉛フリー品である。
 THIS PRODUCT IS LEAD FREE OF 52465-**-91.

16	17.5	9.1	52465-1871	18
		8.3	52465-1671	16
		7.5	52465-1471	14
		6.7	52465-1271	12
		5.9	52465-1071	10

キャリアテープ幅 CARRIER TAPE WIDTH B (A) MATERIAL NO. CIRCUITS

MODEL NO. 52465-**-71 DIMENSIONS: mm INCH mm ONLY

TITLE: 0.8 B-To-B Hsg Assy SMT Embstp Pkg -LEAD FREE-

MOLEX INCORPORATED

CAD FILENAME: SD-52465-029.S01 MATERIAL NO. SEE CHART DRAWING NO. SD-52465-029 SHEET NO. 1 OF 2

THIS DRAWING CONTAINS INFORMATION THAT IS PROPRIETARY TO MOLEX INCORPORATED AND SHOULD NOT BE USED WITHOUT WRITTEN PERMISSION.

DO NOT SCALE DRAWING

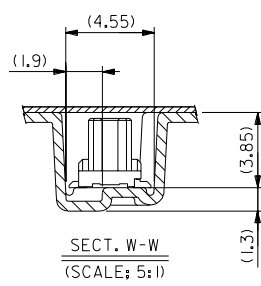
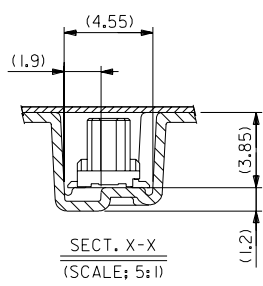
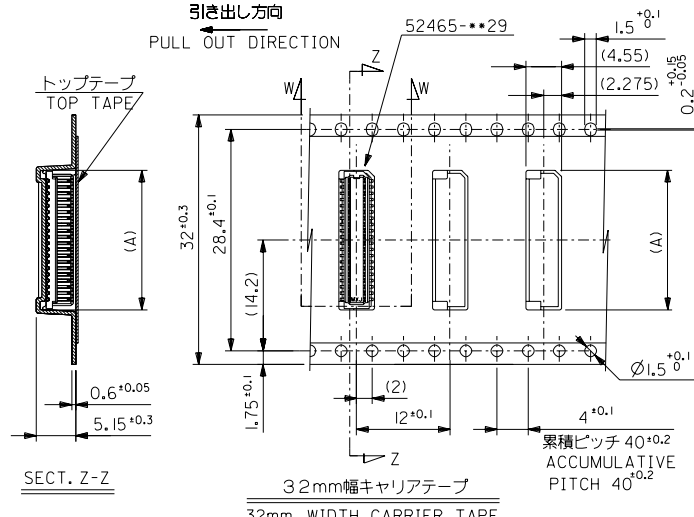
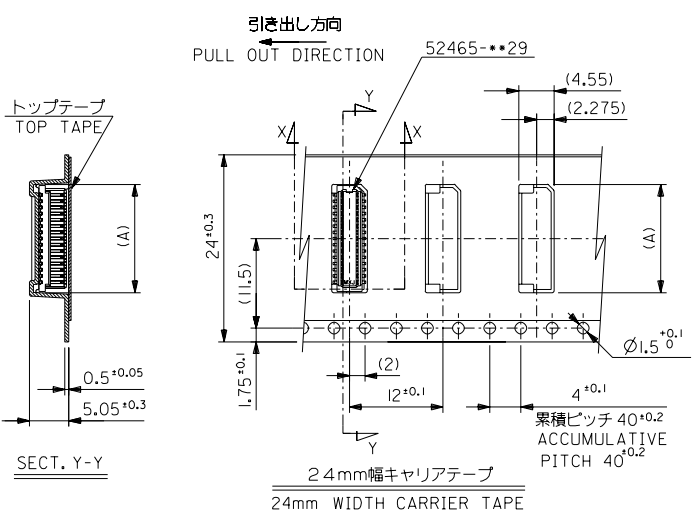
EC NO.	DRWN:	CHK:	APPR:	EC NO.	DRWN:	CHK:	APPR:	EC NO.	DRWN:	CHK:	APPR:	EC NO.	DRWN:	CHK:	APPR:	REV	DESCRIPTION	MATERIAL	FINISH	WIRE RANGE	INS. RANGE
																0		SEE NOTES	---	---	---
RELEASED '04/02/17																					
EC NO. J2004-2482																					
DRWN: Y.SAKIYAMA																					
CHK: M.SASAO																					
APPR: M.SASAO																					
MATERIAL 材料																					
FINISH 仕上げ																					
WIRE RANGE 適用電線範囲																					
INS. RANGE 被覆外径																					

GENERAL TOLERANCES: (UNLESS SPECIFIED)		SCALE	DESIGN UNITS
10 UNDER 未満	+0.2	---	<input checked="" type="checkbox"/> mm <input type="checkbox"/> INCH
10 OVER 以上	30 UNDER 未満		<input type="checkbox"/> mm <input type="checkbox"/> INCH
30 OVER 以上			<input checked="" type="checkbox"/> mm ONLY
ANGLE 角度	+3°		

THIRD ANGLE PROJECTION	<input checked="" type="checkbox"/> THIRD ANGLE PROJECTION
SHR	REV
REVISE ON CAD ONLY	

EN-02J(097) MXJ-54

DWG. NO. SD-52465-029



24	32	33.5	17.9	52465-4071	40
			17.1	52465-3871	38
			16.3	52465-3671	36
			15.5	52465-3471	34
			14.7	52465-3271	32
			13.9	52465-3071	30
			13.1	52465-2871	28
			12.3	52465-2671	26
			11.5	52465-2471	24
	10.7	52465-2271	22		
	9.9	52465-2071	20		
キャリアテープ幅 CARRIER TAPE WIDTH		B	(A)	MATERIAL NO.	CIRCUITS

DO NOT SCALE DRAWING

EC NO.	DRWN:	CHK:	APPR:
EC NO.	DRWN:	CHK:	APPR:
EC NO.	DRWN:	CHK:	APPR:
EC NO.	DRWN:	CHK:	APPR:
EC NO.	DRWN:	CHK:	APPR:
0	RELEASED '04/02/17	EC NO. J2004-2482	DRWN: Y.SAKIYAMA
		CHK: M.SASAO	APPR: M.SASAO

MATERIAL 材料	SEE SHEET 1 OF 2
FINISH 仕上げ	---
WIRE RANGE 適用電線範囲	---
INS. RANGE 被覆外径	---

GENERAL TOLERANCES: (UNLESS SPECIFIED)	
10 UNDER 未満	+0.2
10 OVER 以上	+0.25
30 OVER 以上	+0.3
ANGLE 角度	+3°

SCALE	DESIGN UNITS	THIRD ANGLE PROJECTION	DIMENSIONS:	SHT	REV
---	<input checked="" type="checkbox"/> mm <input type="checkbox"/> INCH	<input type="checkbox"/> mm <input type="checkbox"/> INCH	<input type="checkbox"/> mm ONLY	2	0
DRAWN BY & DATE Y.SAKIYAMA '04/02/17		TITLE: 0.8 B-To-B Hsg Assy SMT Embstp Pkg -LEAD FREE-			
CHECKED BY & DATE M.SASAO '04/02/17		MOLEX INCORPORATED			
APPROVED BY & DATE M.SASAO '04/02/17		MATERIAL NO.	DRAWING NO.	SHEET NO.	
CAD FILENAME SD-52465-029.S02		SEE CHART	SD-52465-029	2 OF 2	
THIS DRAWING CONTAINS INFORMATION THAT IS PROPRIETARY TO MOLEX INCORPORATED AND SHOULD NOT BE USED WITHOUT WRITTEN PERMISSION.					
EN-02J(097) MXJ-54					