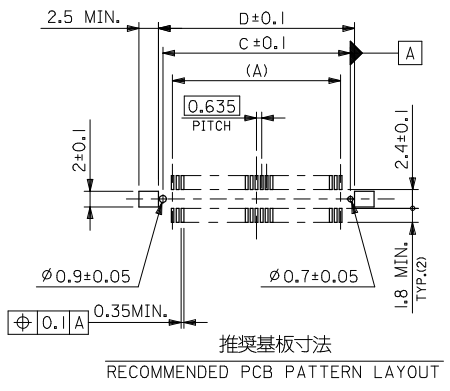
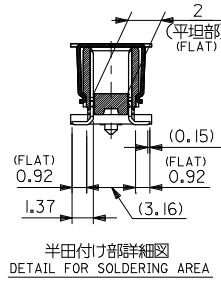
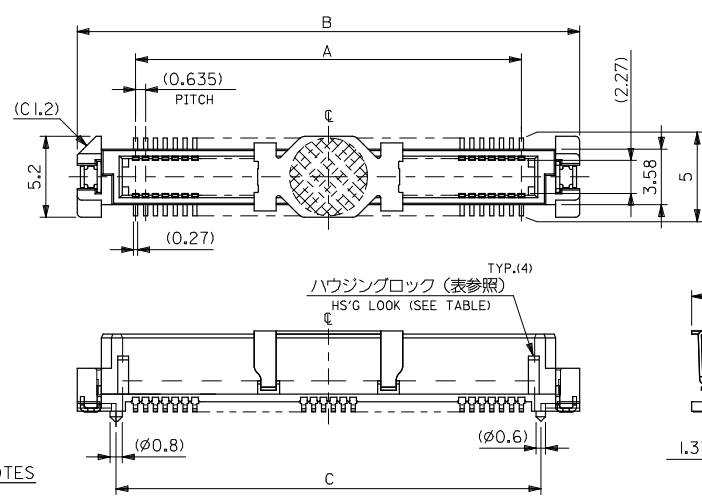


10 9 8 7 6 5 4 3 2 1



注) NOTES

- 材質 MATERIAL  
ハウジング : ガラス入りLCP、黒色、UL94V-0  
HOUSING: LIQUID CRYSTAL POLYMER (LCP), GLASS FILLED, BLACK, UL94V-0  
ターミナル : 銅合金 (t=0.2)  
TERMINAL: COPPER ALLOY  
吸着カバー : ステンレス (t=0.2)  
VACUUM COVER: STAINLESS STEEL  
補強金具 : 銅合金 (t=0.25)  
FITTING NAIL: COPPER ALLOY
- メッキ仕様 PLATING  
ターミナル : 接点部 : 金メッキ 0.25 マイクロメートル以上。  
CONTACT AREA : GOLD 0.25 MICROMETER MINIMUM.  
半田付け部 : 錫メッキ 1.0 マイクロメートル以上。  
SOLDER TAIL AREA : TIN 1.0 MICROMETER MINIMUM.  
下地メッキ : ニッケルメッキ 1.5 マイクロメートル以上。  
UNDER-PLATING : NICKEL 1.5 MICROMETER MINIMUM.  
補強金具 : 銅メッキ 1.0 マイクロメートル以上。  
FITTING NAIL : TIN 1.0 MICROMETER MINIMUM.  
下地メッキ : ニッケルメッキ 1.0 マイクロメートル以上。  
UNDER-PLATING: NICKEL 1.0 MICROMETER MINIMUM.
- テールのバラツキ寸法 TAIL COPPLANARITY  
テール及び金具の平坦度は、0.1以下とする。  
TAIL AND FITTING NAIL COPPLANARITY TO BE 0.1 MAXIMUM.
- エンボス対応済みの極数については、SD-55091-007を参照下さい。  
FOR THE EMBOSSED PACKAGE PRODUCTS, SEE SD-55091-007.
- 本製品は55091-\*\*\*2の鉛フリー品である。  
THIS PRODUCT IS LEAD FREE OF 55091-\*\*\*2.

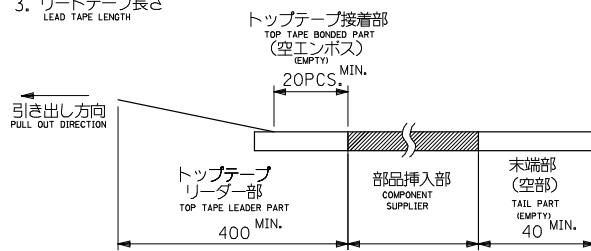
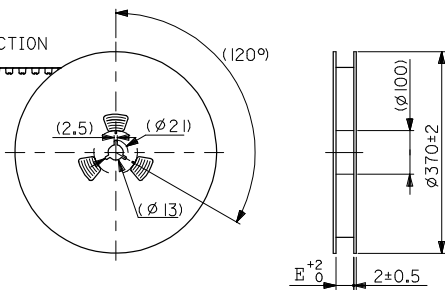
無し NO	79.17	78.07	83.07	75.565	←	55091-2475	55091-2472	240	○
	66.47	65.37	70.37	62.865	←	-2075	-2072	200	○
	60.12	59.02	64.02	56.515	←	-1875	-1872	180	○
	53.77	52.67	57.67	50.165	55091-1674	-1675	-1672	160	○
	47.42	46.32	51.32	43.815	55091-1474	-1475	-1472	140	○
	41.07	39.97	44.97	37.465	55091-1274	-1275	-1272	120	○
	34.72	33.62	38.62	31.115	55091-1074	-1075	-1072	100	○
	31.55	30.45	35.45	27.94	55091-0974	-0975	-0972	90	○
	28.37	27.27	32.27	24.765	55091-0874	-0875	-0872	80	○
	25.2	24.1	29.1	21.59	55091-0774	-0775	-0772	70	○
有り YES	24.56	23.46	28.46	20.955	←	-6875	-6872	68	○
	22.02	20.92	25.92	18.415	55091-0674	-0675	-0672	60	○
	18.85	17.75	22.75	15.24	55091-0574	-0575	-0572	50	○
	15.67	14.57	19.57	12.065	55091-0474	-0475	-0472	40	○
	12.5	11.4	16.4	8.89	55091-0374	-0375	-0372	30	○
9.32	8.22	13.22	5.715	55091-0274	-0275	-0272	20	○	

REVISED EC NO: J2009-0365 DRAWN BY: H.KAWABATA CHKD: THARYAMA APPR: NIKITA	GENERAL TOLERANCES (UNLESS SPECIFIED)		DIMENSION STYLE MM ONLY		SCALE ---	DESIGN UNITS METRIC	THIRD ANGLE PROJECTION
	10 UNDER	±0.2	DRAWN BY H. KAWABATA	DATE '04/03/05	TITLE 0.635 PITCH B-T0-B PLUG HS'G COVER ASS'Y -LEAD FREE-		
	10 OVER 30 UNDER	±0.25	CHECKED BY K. TOJO	DATE '04/03/05	MATERIAL NO. SEE TABLE		
	30 OVER	±0.3	APPROVED BY M. SASAO	DATE '04/03/05	DOCUMENT NO. SD-55091-006		
ANGULAR ±3°		DRAFT WHERE APPLICABLE MUST REMAIN WITHIN DIMENSIONS		SIZE A3		SHEET NO. 1 OF 1	

注)  
NOTES

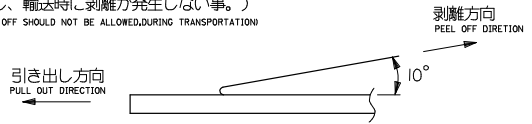
1. 製品番号 55091-\*\*\*72 の詳細寸法については、SD-55091-006 を参照下さい。  
IN THE PACKAGE, PART NO. 55901-\*\*\*72 DETAILED DIMENSIONS, SEE SD-55091-006.
2. 梱包数量 : 1000 個/リール  
NUMBER OF CONNECTORS : 1000 Pcs/REEL
3. リードテープ長さ  
LEAD TAPE LENGTH

引き出し方向  
PULL OUT DIRECTION



4. トップテープの剥離強度 : (剥離方向は下図参照)  
THIS REQUIREMENT SHOULD BE APPLIED AT SHIPMENT  
0. 1~1. 3N {10~130gf}

尚、本規格値は、出荷時に適用。  
THIS REQUIREMENT SHOULD BE APPLIED AT SHIPMENT  
(但し、輸送時に剥離が発生しない事。)  
(PEEL OFF SHOULD NOT BE ALLOWED DURING TRANSPORTATION)



5. 材料

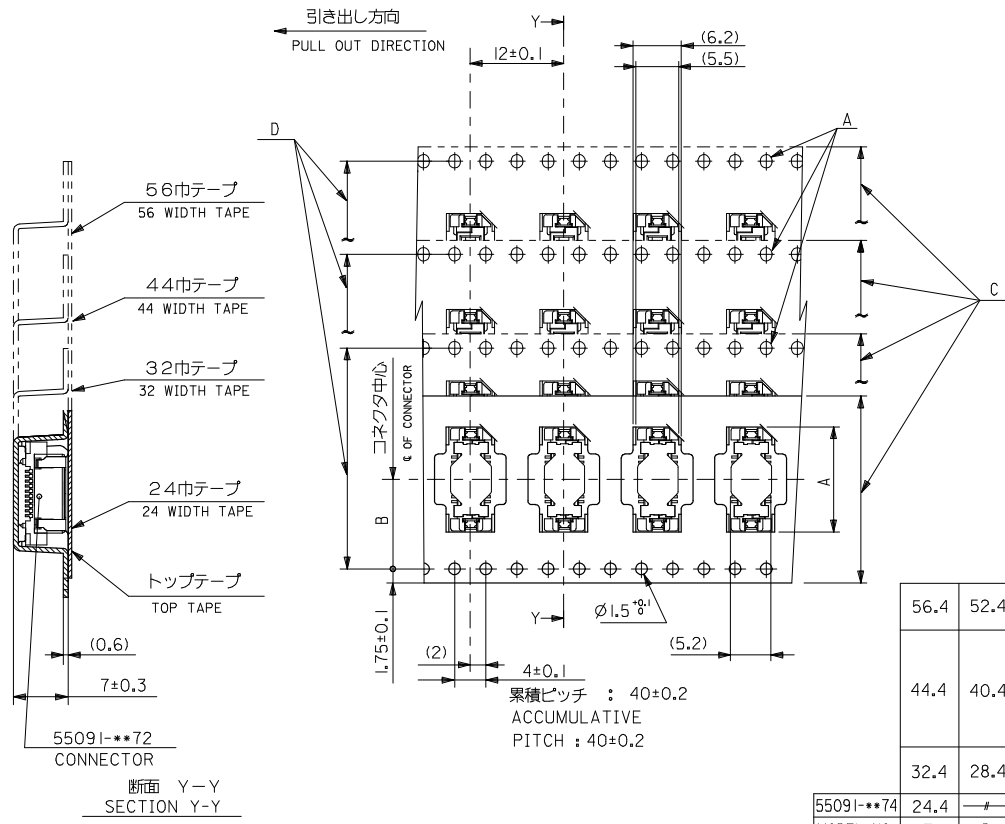
MATERIAL  
キャリアテープ : ポリプロピレン (PP)  
CARRIER TAPE : POLYPROPYLENE (PP)  
トップテープ : PET, PE, PEF  
TOP TAPE : PET, PE, PEF  
リール : 紙  
REEL : CARDBOARD

6. 本製品は55091-\*\*\*4の鉛フリー品である。  
THIS PRODUCT IS LEAD FREE OF 55091-\*\*\*4.

MODEL NO. 55091-\*\*\*74

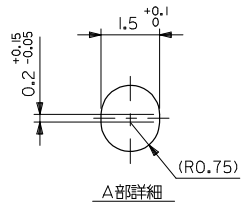
REVISED EC NO: J2009-0365 DRAWN BY: DRWNMBEL CHKD: THARYAMA APPR: NIKITA	DESCRIPTION 2008/08/06 2008/08/07 2008/08/07	GENERAL TOLERANCES (UNLESS SPECIFIED)		DIMENSION STYLE MM ONLY		SCALE ---	DESIGN UNITS METRIC	THIRD ANGLE PROJECTION	
		10 UNDER	±0.2	DRAWN BY KAWABATA	DATE '04/03/05	TITLE 55091-***72 TAPING PACKAGE -LEAD FREE-			
		10 OVER 30 UNDER	±0.25	CHECKED BY KTOJO	DATE '04/03/05				
		30 OVER	±0.3	APPROVED BY MSASAO	DATE '04/03/05				
ANGULAR ±3°		DRAFT WHERE APPLICABLE MUST REMAIN WITHIN DIMENSIONS		MATERIAL NO. SEE SHEET 2,3	DOCUMENT NO. SD-55091-007	SHEET NO. 1 OF 3		MOLEX INCORPORATED	
SIZE A3 THIS DRAWING CONTAINS INFORMATION THAT IS PROPRIETARY TO MOLEX INCORPORATED AND SHOULD NOT BE USED WITHOUT WRITTEN PERMISSION									

10 9 8 7 6 5 4 3 2 1



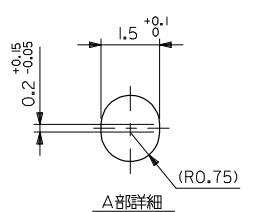
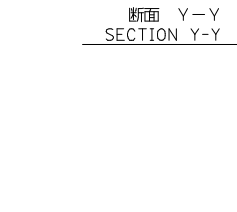
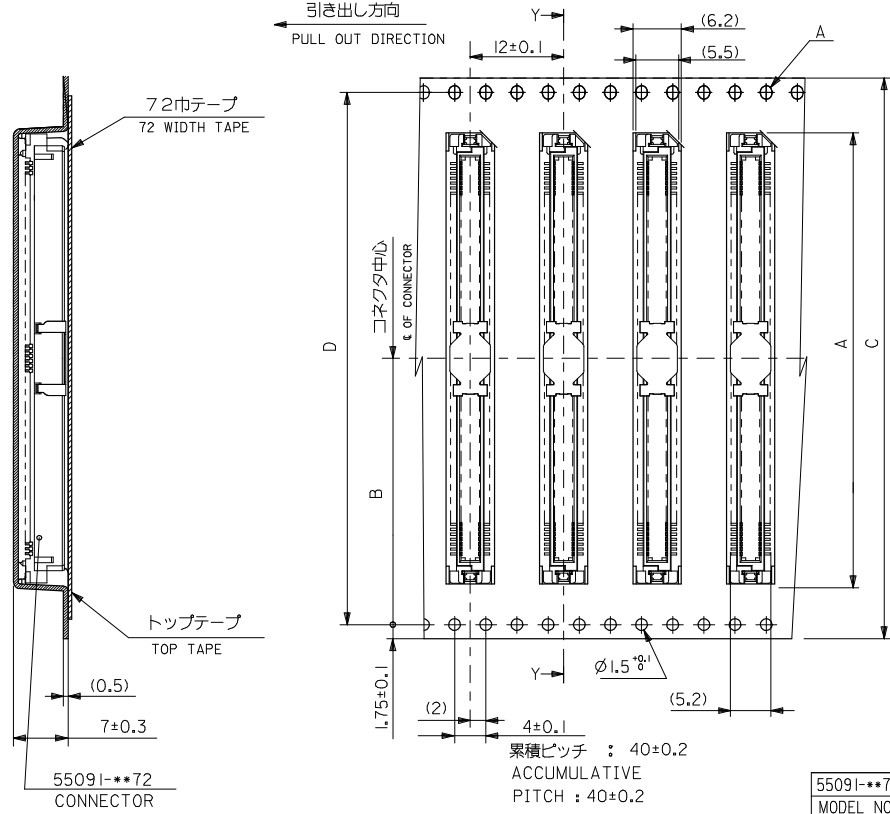
56.4	52.4	56 <sup>+0.3</sup>	26.2	38.9	55091-1074	100	○
				35.8	-0974	90	○
				32.6	-0874	80	○
				29.4	-0774	70	○
				28.8	-6874	68	-
				26.2	-0674	60	○
				23.1	-0574	50	○
				19.9	-0474	40	○
				16.7	-0374	30	○
32.4	28.4	32 <sup>+0.3</sup>	14.2	13.5	55091-0274	20	○

55091-**74	24.4	—	24 <sup>+0.3</sup>	11.5	13.5	55091-0274	20	○
MODEL NO	B	D	C	キャリアテープ幅 CARRIER TAPE WIDTH	B	A	MATERIAL NO.	公差 TOLERANCE



REVISED EEC NO: J2009-0365 DRAWN BY: 2008/08/06 CHYK:THARYAMA APPR:NIKIITA 2008/08/07 2008/08/07	GENERAL TOLERANCES (UNLESS SPECIFIED)		DIMENSION STYLE MM ONLY		SCALE ---	DESIGN UNITS METRIC	THIRD ANGLE PROJECTION
	10 UNDER	±0.2	DRAWN BY KAWABATA		DATE '04/03/05		TITLE <b>55091-**72 TAPING          PACKAGE          -LEAD FREE-</b>
	10 OVER 30 UNDER	±0.25	CHECKED BY KTOJO		DATE '04/03/05		
	30 OVER	±0.3	APPROVED BY MSASAO		DATE '04/03/05		MOLEX INCORPORATED DOCUMENT NO. <b>SD-55091-007</b>
ANGULAR ±3°		MATERIAL NO. SEE TABLE		DOCUMENT NO. SD-55091-007		SHEET NO. 2 OF 3	
DRAFT WHERE APPLICABLE MUST REMAIN WITHIN DIMENSIONS			THIS DRAWING CONTAINS INFORMATION THAT IS PROPRIETARY TO MOLEX INCORPORATED AND SHOULD NOT BE USED WITHOUT WRITTEN PERMISSION				

10 9 8 7 6 5 4 3 2 1



累積ピッチ : 40±0.2  
 ACCUMULATIVE PITCH : 40±0.2

MODEL NO.	55091-**74	72.4	68.4	72 <sup>+0.3</sup>	34.2	58.0	55091-1674	160	○
						51.6	55091-1474	140	○
						45.3	55091-1274	120	○

REVISED EC NO: J2009-0365 DRAWN BY: IRINUMABEI 2008/08/06 CHECKED BY: CHYKO:THARYAMA 2008/08/07 APPROVED BY: APRR:NIKIITA 2008/08/07	GENERAL TOLERANCES (UNLESS SPECIFIED)		DIMENSION STYLE	SCALE	DESIGN UNITS	THIRD ANGLE PROJECTION
	10 UNDER	±0.2	MM ONLY	---	METRIC	TITLE 55091-**72 TAPING PACKAGE -LEAD FREE- MOLEX INCORPORATED DOCUMENT NO. SD-55091-007 SHEET NO. 3 OF 3
	10 OVER	±0.25				
	30 OVER	±0.3				
ANGULAR ±3°						
DRAFT WHERE APPLICABLE MUST REMAIN WITHIN DIMENSIONS		APPROVED BY: MSASAO	DATE: '04/03/05	THIS DRAWING CONTAINS INFORMATION THAT IS PROPRIETARY TO MOLEX INCORPORATED AND SHOULD NOT BE USED WITHOUT WRITTEN PERMISSION		