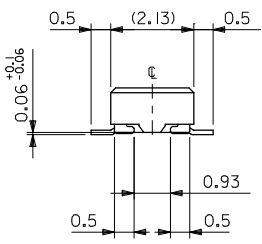
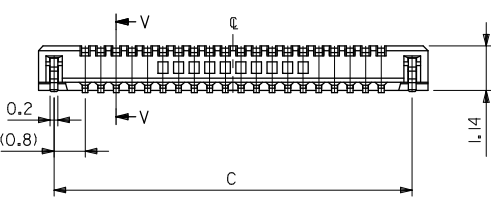
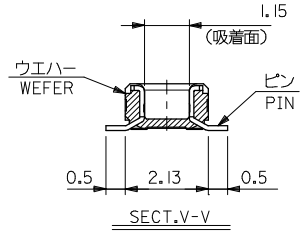


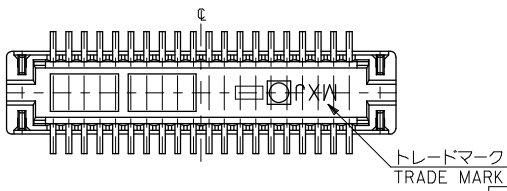
注記 NOTES:

1. 使用材料 MATERIAL
 ウエハー: 液晶ポリマー (LCP) ガラス充填 UL94V-0 (黒)
 WAFER: LIQUID CRYSTAL POLYMER (GLASS FILLED)
 UL94V-0 (COLOR: BLACK)
 ピン: 黄銅 (t=0.12)
 PIN: BRASS (t=0.12)
 金具: リン青銅 (t=0.2)
 FITTING NAIL: PHOSPHOR BRONZE (t=0.2)
2. メッキ仕様 PLATING
 ピン PIN
 金メッキ 0.2 マイクロメートル以上 (コンタクト部)
 GOLD 0.2MICROMETER MINIMUM (CONTACT AREA)
 金メッキ 0.4 マイクロメートル以下 (テール部)
 GOLD 0.4MICROMETER MAXIMUM (TAIL AREA)
 下地メッキ: ニッケルメッキ 1.5 マイクロメートル以上
 UNDER PLATING: NICKEL 1.5MICROMETER MINIMUM
 金具 FITTING NAIL
 錫メッキ 1.0 マイクロメートル以上
 TIN PLATING 1.0MICROMETER MINIMUM
 下地メッキ: ニッケルメッキ 1.0 マイクロメートル以上
 UNDER PLATING: NICKEL 1.0MICROMETER MINIMUM

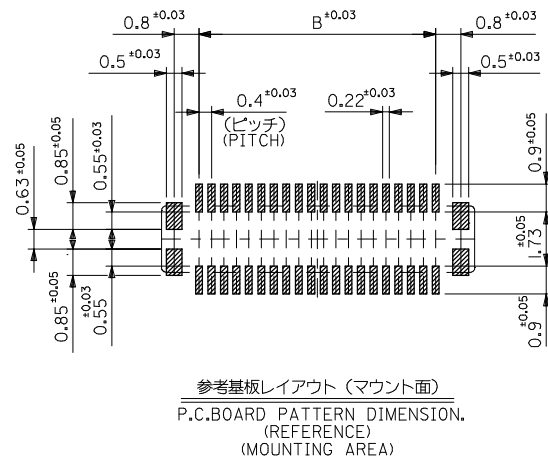
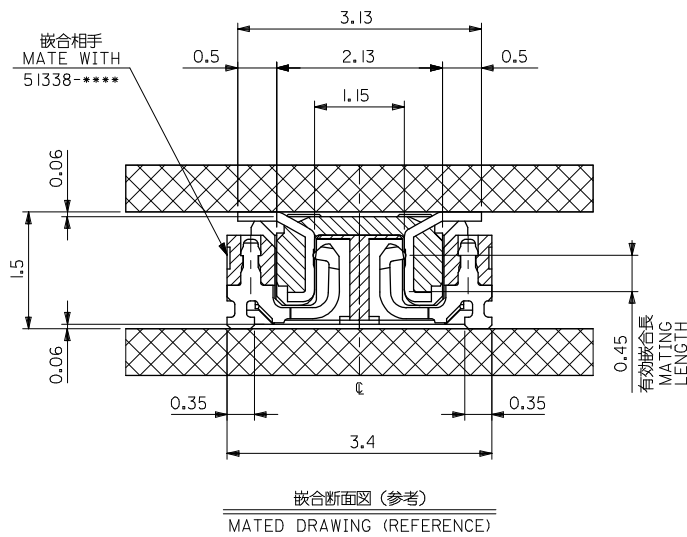
4. 嵌合相手: 51338シリーズ
 MATE WITH: 51338 SERIES.
5. テール平坦度は、0.08以下
 テール及び金具の平坦度は、0.1以下
 TAIL COPLANARITY TO BE 0.08MAXIMUM
 TAIL AND FITTING NAIL
 COPLANARITY TO BE 0.1 MAXIMUM
6. 本製品は 55909-***3 の鉛フリー品である。
 THIS PRODUCT IS LEAD FREE OF 55909-***3



25.2	23.6	26.0	55909-1274	55909-1273	120
21.2	19.6	22.0	55909-1074	55909-1073	100
19.2	17.6	20.0	55909-0974	55909-0973	90
17.2	15.6	18.0	55909-0874	55909-0873	80
15.2	13.6	16.0	55909-0774	55909-0773	70
13.2	11.6	14.0	55909-0674	55909-0673	60
11.2	9.6	12.0	55909-0574	55909-0573	50
9.2	7.6	10.0	55909-0474	55909-0473	40
8.0	6.4	8.8	55909-3474	55909-3473	34
7.2	5.6	8.0	55909-0374	55909-0373	30
6.4	4.8	7.2	55909-2674	55909-2673	26
6.0	4.4	6.8	55909-2474	55909-2473	24
5.6	4.0	6.4	55909-2274	55909-2273	22
5.2	3.6	6.0	55909-0274	55909-0273	20
3.6	2.0	4.4	55909-9974	55909-9973	12
C	B	A	EMBOSSED TAPE PKG. ORDER No. オーダー番号		MATERIAL No. CKT.



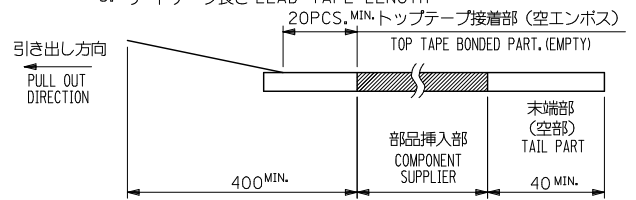
REVISED IEC NO: J2009-0301 TDR: HIRAHARA CHYK: THARYAMA APPR: NIKITA 2008/08/27 2008/08/28 2008/08/28	GENERAL TOLERANCES (UNLESS SPECIFIED)		DIMENSION STYLE MM ONLY		SCALE ---	DESIGN UNITS METRIC	THIRD ANGLE PROJECTION
	10 UNDER	±0.2	DRAWN BY HSHIMABUKURO	DATE 2004/02/20	TITLE 0.4 B-TO-B CONN. PLUG ASSY (HGT=1.5) WITH NAIL -LEAD FREE-		
	10 OVER 30 UNDER	±0.25	CHECKED BY K. TOJO	DATE 2004/02/20	MOLEX INCORPORATED		
	30 OVER	±0.3	APPROVED BY M. SASAO	DATE 2004/02/20	DOCUMENT NO. SD-55909-003		
ANGULAR ±1/2 °		DRAFT WHERE APPLICABLE MUST REMAIN WITHIN DIMENSIONS		MATERIAL NO. SEE TABLE		SHEET NO. 1 OF 2	
SIZE A3				THIS DRAWING CONTAINS INFORMATION THAT IS PROPRIETARY TO MOLEX INCORPORATED AND SHOULD NOT BE USED WITHOUT WRITTEN PERMISSION			



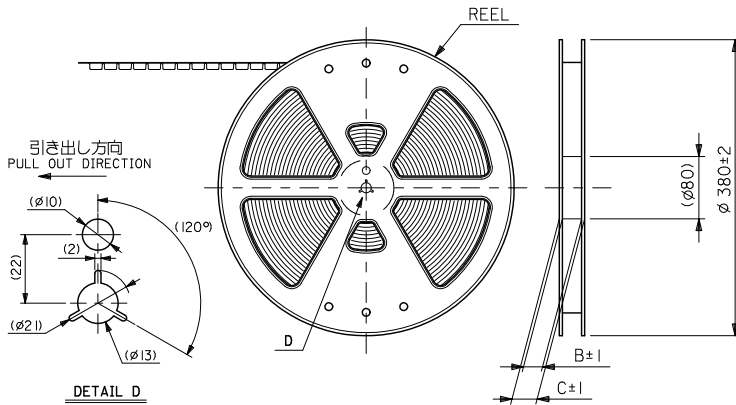
REVISED		GENERAL TOLERANCES (UNLESS SPECIFIED)		DIMENSION STYLE		SCALE	DESIGN UNITS	MODEL NO.
IEC NO: J2009-0301	2008/08/27	10 UNDER	±0.2	MM ONLY	---	---	METRIC	55909-***73
DRW: HIRABEI	2008/08/28	10 OVER 30 UNDER	±0.25	DRAWN BY	DATE	TITLE		
CHK: THARYAMA	2008/08/28	30 OVER	±0.3	HSHIMABUKURO	2004/02/20	0.4 B-TO-B CONN. PLUG ASSY (HGT=1.5) WITH NAIL -LEAD FREE-		
APP: NIKITA	2008/08/28	ANGULAR	±3 °	CHECKED BY	DATE	MOLEX INCORPORATED		
REV	DESCRIPTION	DRAFT WHERE APPLICABLE MUST REMAIN WITHIN DIMENSIONS		M. SASAO	2004/02/20	SD-55909-003		
				MATERIAL NO.	DATE	SHEET NO.		
				SEE SHEET 1		2 OF 2		
				SIZE	THIS DRAWING CONTAINS INFORMATION THAT IS PROPRIETARY TO MOLEX INCORPORATED AND SHOULD NOT BE USED WITHOUT WRITTEN PERMISSION			
				A3				

NOTES

- 製品詳細寸法については製品単体図面を参照下さい。
RE DETAILED DIMENSION, SEE PRODUCT DRAWING.
- 梱包数量：2500個/リール
NUMBER OF CONNECTORS : 2500PCS/REEL
- リードテープ長さ LEAD TAPE LENGTH



- 材料 MATERIAL
キャリアテープ (CARRIER TAPE) : ポリプロピレン (POLYPROPYLENE)
トップテープ (TOPTAPE) : PET , PE , PEF
リール (REEL) : ポリスチレン (PS) <リサイクル材を含む>
POLYSTYRENE (PS) <RECYCLE MATERIAL CONTAINED>
- ELV 及び RoHS 適合品。
ELV AND RoHS COMPLIANT.



CONNECTOR SERIES No. 55909-**73

REVISED EC NO: J2010-2356 DRW: TOSHIMA CHYK: KATOYODA APPR: MSASAO 2010/06/24 2010/07/20 2010/07/21	GENERAL TOLERANCES (UNLESS SPECIFIED)		DIMENSION STYLE MM ONLY	SCALE ---	DESIGN UNITS METRIC	THIRD ANGLE PROJECTION
	10 UNDER	±0.2	DRAWN BY H. SHIMAB	DATE 2004/02/20	TITLE 0.4 B-T0-B CONN PLUG ASSY(HGT=1.5) EMBSTP PKG	
	10 OVER 30 UNDER	±0.25	CHECKED BY K. TOJO	DATE 2004/02/20	MOLEX INCORPORATED	
	30 OVER	±0.3	APPROVED BY M. SASAO	DATE 2004/02/20	DOCUMENT NO. SD-55909-004	SHEET NO. 1 OF 5
ANGULAR ±3°			MATERIAL NO. SEE CHART	THIS DRAWING CONTAINS INFORMATION THAT IS PROPRIETARY TO MOLEX INCORPORATED AND SHOULD NOT BE USED WITHOUT WRITTEN PERMISSION		
DRAFT WHERE APPLICABLE MUST REMAIN WITHIN DIMENSIONS						

10 9 8 7 6 5 4 3 2 1

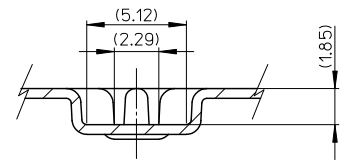
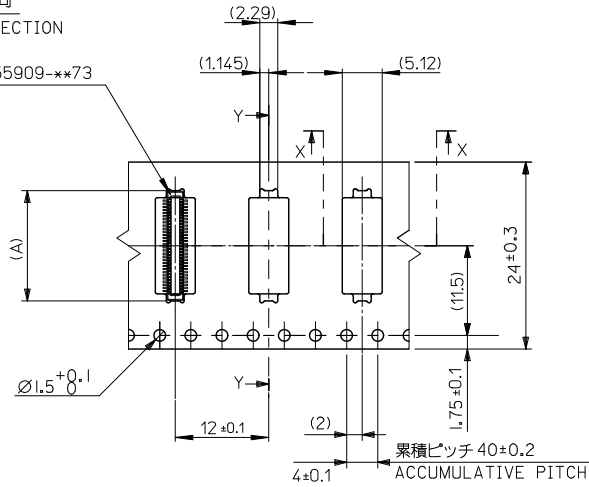
引き出し方向
PULL OUT DIRECTION

トップテープ
TOP TAPE

55909-**73

0.5+0.05
(2.6)

SECT. Y-Y



SECT. X-X

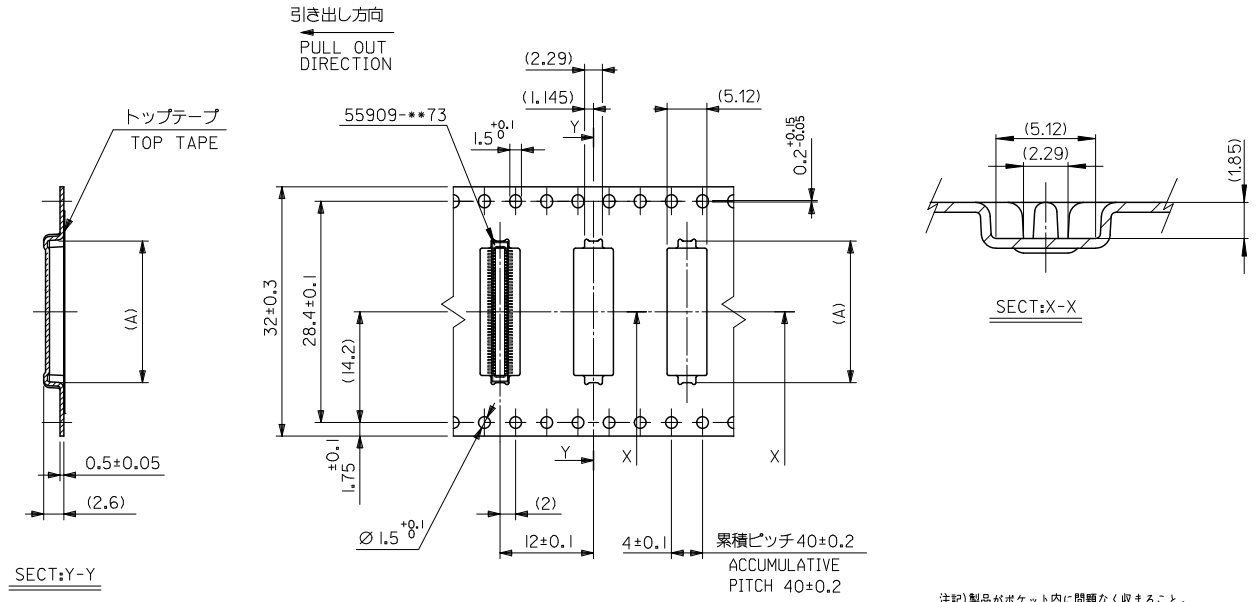
注記) 製品がポケット内に問題なく収まること。
NOTE. Pocket should contain product smoothly.

24	29.4	25.4	14.16	55909-0674	60		
			12.16	55909-0574	50		
			10.16	55909-0474	40		
			8.96	55909-3474	34		
			8.16	55909-0374	30		
			7.36	55909-2674	26		
			6.96	55909-2474	24		
			6.56	55909-2274	22		
6.16	55909-0274	20					
キャリアテープ幅 CARRIER TAPE WIDTH			C	B	(A)	MATERIAL NO.	CKT

CONNECTOR SERIES No. 55909-**73

REVISED EC NO: J2010-2356 DRW: TOSHIMA 2010/06/21 CHK: KATOYODA 2010/07/20 APPR: SASAO 2010/07/21	GENERAL TOLERANCES (UNLESS SPECIFIED)		DIMENSION STYLE	SCALE	DESIGN UNITS	THIRD ANGLE PROJECTION
	10 UNDER	±0.2	MM ONLY	---	METRIC	☉
	10 OVER 30 UNDER	±0.25	DRAWN BY	DATE	TITLE	
	30 OVER	±0.3	H. SHIMAB	2004/02/20	0.4 B-T0-B CONN PLUG ASSY(HGT=1.5) EMBSTP PKG	
ANGULAR	±3°	CHECKED BY	DATE	MOLEX INCORPORATED		DOCUMENT NO.
DRAFT WHERE APPLICABLE MUST REMAIN WITHIN DIMENSIONS		K. TOJO	2004/02/20	SD-55909-004		SHEET NO.
		APPROVED BY	DATE	SEE CHART		2 OF 5
		M. SASAO	2004/02/20	THIS DRAWING CONTAINS INFORMATION THAT IS PROPRIETARY TO MOLEX INCORPORATED AND SHOULD NOT BE USED WITHOUT WRITTEN PERMISSION		
		MATERIAL NO.				

10 9 8 7 6 5 4 3 2 1



注記)製品がポケット内に問題なく収まること。
NOTE. Pocket should contain product smoothly.

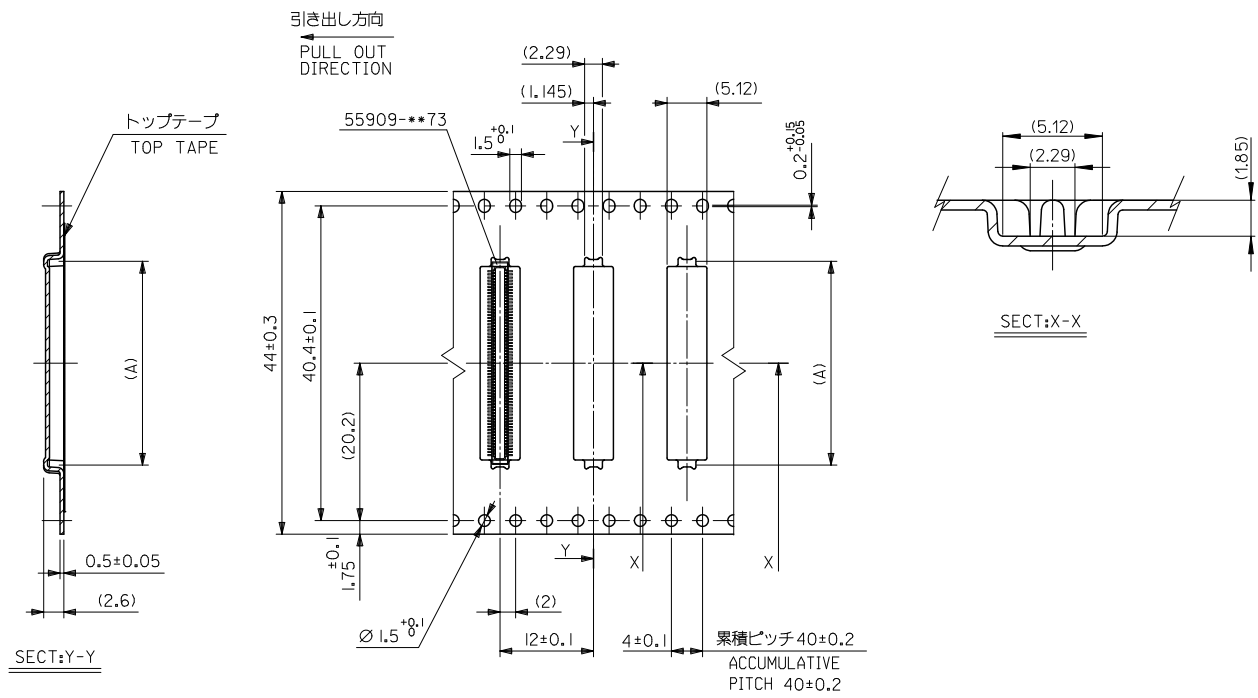
32mm幅キャリアテープ
32mm WIDTH CARRIER TAPE

32	37.4	33.4	19.16	55909-0974	90
			18.16	55909-0874	80
			16.16	55909-0774	70
キャリアテープ幅 CARRIER TAPE WIDTH	C	B	(A)	MATERIAL NO.	極致 CKT.

CONNECTOR SERIES No. 55909-***73

REVISED EC NO: J2010-2356 DRW: TOSHIMA 2010/06/21 CHK: KATOYODA 2010/07/20 APPR: SASAO 2010/07/21	GENERAL TOLERANCES (UNLESS SPECIFIED)		DIMENSION STYLE	SCALE	DESIGN UNITS	THIRD ANGLE PROJECTION
	10 UNDER	±0.2	MM ONLY	---	METRIC	
	10 OVER	±0.25				
	30 OVER	±0.3				
	ANGULAR	±3°				
DRAFT WHERE APPLICABLE MUST REMAIN WITHIN DIMENSIONS			DRAWN BY	DATE	TITLE	
			H. SHIMAB	2004/02/20	0.4 B-TO-B CONN PLUG ASSY(HGT=1.5) EMBSTP PKG	
			CHECKED BY	DATE		
			K. TOJO	2004/02/20		
			APPROVED BY	DATE		
			M. SASAO	2004/02/20	MOLEX INCORPORATED	
			MATERIAL NO.	DOCUMENT NO.	SHEET NO.	
			SEE CHART	SD-55909-004	3 OF 5	
			SIZE	THIS DRAWING CONTAINS INFORMATION THAT IS PROPRIETARY TO MOLEX INCORPORATED AND SHOULD NOT BE USED WITHOUT WRITTEN PERMISSION		
			A3			

10 9 8 7 6 5 4 3 2 1



44mm幅キャリアテープ
44mm WIDTH CARRIER TAPE

注記) 製品がポケット内に問題なく収まること。
NOTE. Pocket should contain product smoothly.

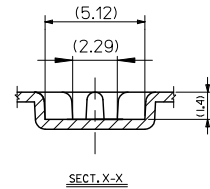
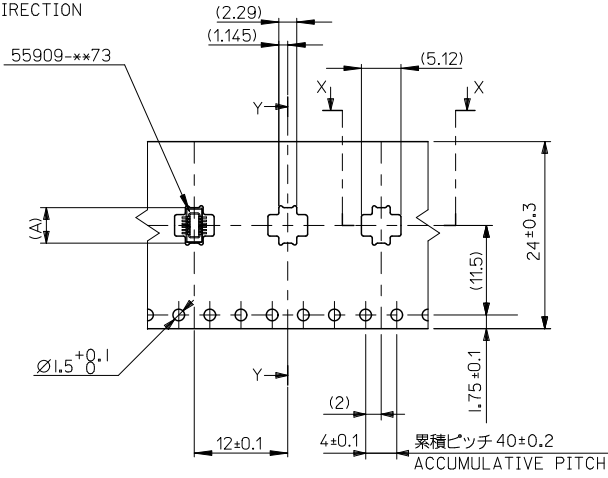
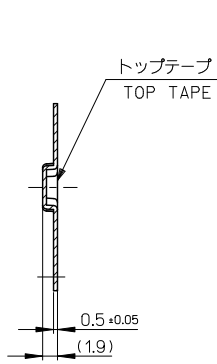
44	49.4	45.4	22.16	55909-1074	100
キャリアテープ幅 CARRIER TAPE WIDTH	C	B	(A)	MATERIAL NO.	極数 CKT.

CONNECTOR SERIES No. 55909-***73

REVISED EC NO: J2010-2356 DRWN: TOSHIMA 2010/06/21 CHK: KATOYODA 2010/07/20 APPR: SASAO 2010/07/21 REV: J	GENERAL TOLERANCES (UNLESS SPECIFIED)		DIMENSION STYLE MM ONLY		SCALE ---	DESIGN UNITS METRIC	THIRD ANGLE PROJECTION
	10 UNDER	±0.2	DRAWN BY H. SHIMAB	DATE 2004/02/20	TITLE 0.4 B-T0-B CONN PLUG ASSY(HGT=1.5) EMBSTP PKG		
	10 OVER 30 UNDER	±0.25	CHECKED BY K. TOJO	DATE 2004/02/20	APPROVED BY M. SASAO 2004/02/20		
	30 OVER	±0.3	APPROVED BY M. SASAO 2004/02/20		MOLEX INCORPORATED		
ANGULAR ±3°		DRAFT WHERE APPLICABLE MUST REMAIN WITHIN DIMENSIONS		MATERIAL NO. SEE CHART		DOCUMENT NO. SD-55909-004	SHEET NO. 4 OF 5
SIZE A				THIS DRAWING CONTAINS INFORMATION THAT IS PROPRIETARY TO MOLEX INCORPORATED AND SHOULD NOT BE USED WITHOUT WRITTEN PERMISSION			

10 9 8 7 6 5 4 3 2 1

引き出し方向
PULL OUT DIRECTION



注記) 製品がポケット内に問題なく収まること。
NOTE. Pocket should contain product smoothly.

24	29.4	25.4	5.36	55909-1674	16
キャリアテープ幅 CARRIER TAPE WIDTH	C	B	4.56	55909-9974	12
			(A)	MATERIAL NO.	CKT

CONNECTOR SERIES No. 55909-**-73

REVISED EC NO: J2010-2356 DRWN: TOSHIMA CHK: KATOYODA APPR: MSASAO 2010/06/21 2010/07/20 2010/07/21	GENERAL TOLERANCES (UNLESS SPECIFIED)		DIMENSION STYLE	SCALE	DESIGN UNITS	THIRD ANGLE PROJECTION
	10 UNDER	± 0.2	MM ONLY	---	METRIC	☉
	10 OVER	± 0.25	DRAWN BY	DATE	TITLE	
	30 OVER	± 0.3	H. SHIMAB	2004/02/20	0.4 B-T0-B CONN PLUG ASSY(HGT=1.5) EMBSTP PKG	
	ANGULAR	± 3 °	CHECKED BY	DATE	MOLEX INCORPORATED	
	DRAFT WHERE APPLICABLE MUST REMAIN WITHIN DIMENSIONS		K. TOJO	2004/02/20	DOCUMENT NO. SD-55909-004	
			APPROVED BY	DATE	SHEET NO. 5 OF 5	
			M. SASAO	2004/02/20		
			MATERIAL NO.	SEE CHART		
			SIZE	THIS DRAWING CONTAINS INFORMATION THAT IS PROPRIETARY TO MOLEX INCORPORATED AND SHOULD NOT BE USED WITHOUT WRITTEN PERMISSION		