

10 9 8 7 6 5 4 3 2 1

F

E

D

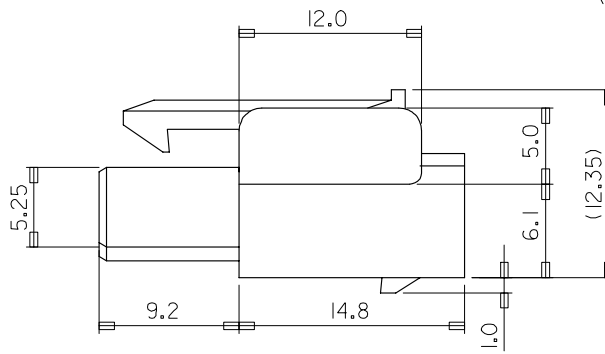
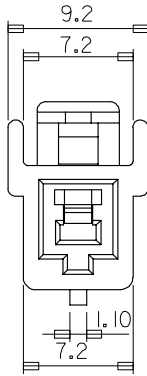
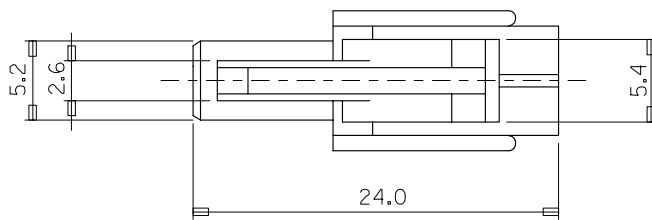
C

B

A

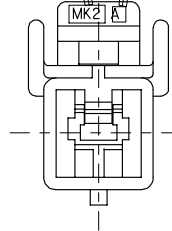
NOTES

1. HOUSING COLOR: SEE TABLE
2. MATING HOUSING: 35150-0100
3. APPLICABLE TERMINAL: 35746-0*10
4. APPLICABLE TPA: 35182-019*



TRADE MARK
(MK2)

CAV.NO.
(A,B,C...)



NO	PRODUCT		MATERIAL	
	PART NO	MATERIAL NO	COLOR	DESCRIPTION
1	35151-0110	351510110	NATURAL	PBT (UL94V-0)
2	35151-0112	351510112	RED	
3	35151-0114	351510114	BLUE	
4	35151-0119	351510119	NATURAL	

REVISED	EC NO: KOR2008-0048
DRWN: JHPARK01	2007/09/10
CHK: CHIKWY YANG	2007/09/10
APPR: TUNSIKIM	2007/09/10
DESCRIPTION	

QUALITY SYMBOLS	GENERAL TOLERANCES (UNLESS SPECIFIED)	
	mm	INCH
▽=0	4 PLACES ± ---	± ---
▽=0	3 PLACES ± ---	± ---
	2 PLACES ± ---	± ---
	1 PLACE ± 0.3	± ---
	ANGULAR ± 1 °	
	DRAFT WHERE APPLICABLE MUST REMAIN WITHIN DIMENSIONS	

DIMENSION STYLE	
MM ONLY	
DRAWN BY	DATE
WY. YANG	
CHECKED BY	DATE
APPROVED BY	DATE
MATERIAL NO.	
SEE TABLE	

SCALE	DESIGN UNITS	THIRD ANGLE PROJECTION
4:1	METRIC	
TITLE		
.070 W/W PLUG HSG-1P		
MOLEX INCORPORATED		
MATERIAL NO.	DOCUMENT NO.	SHEET NO.
	SD-35151-0110	1 OF 01
THIS DRAWING CONTAINS INFORMATION THAT IS PROPRIETARY TO MOLEX INCORPORATED AND SHOULD NOT BE USED WITHOUT WRITTEN PERMISSION		

ib_frame_A3_P_ME_1
Rev. E 2006/04/15

9 8 7 6 5 4 3 2 1

F

E

D

C

B

A