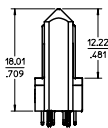
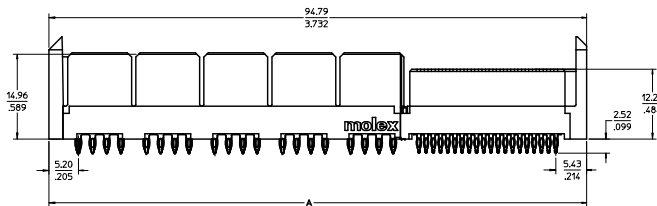
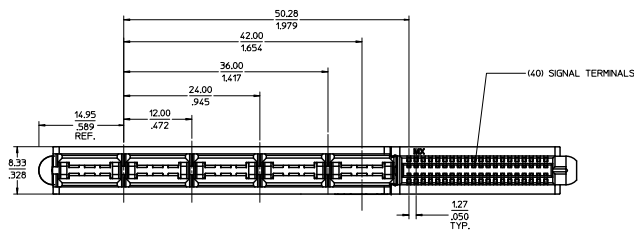
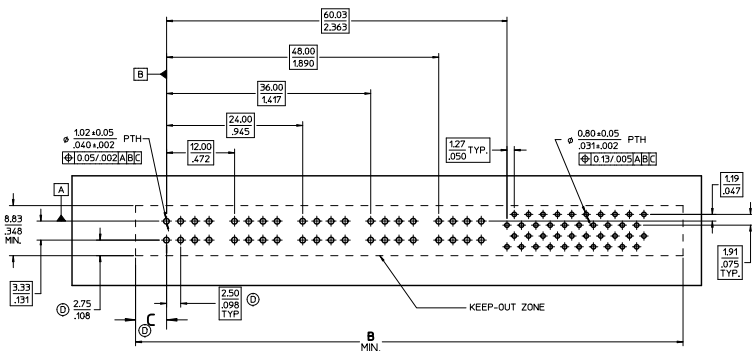


20 19 18 17 16 15 14 13 12 11 10 9 8 7 6 5 4 3 2 1

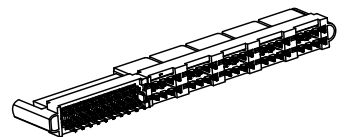


NOTES:
1. MATERIAL: HOUSING: LCP, 94-V0, COLOR: BLACK.
POWER CONTACTS: COPPER ALLOY.
SIGNAL CONTACTS: MODIFIED TIN BRASS.
2. FINISH: SELECT GOLD - 0.75 μM/30 μ INCHES
SELECTED TIN - 2.50 μM/100 μ INCHES
OR SELECTED TIN-LEAD - 131 μM/75 μ INCHES
BOTH OVER NICKEL - 1.25 μM/50 μ INCHES
3. POWER TERMINALS ARE LUBRICATED IN CONTACT AREA.
4. PARTS ARE RoHS COMPLIANT.
5. MATES TO MOLEX PIN 45985-SERIES OR EDGE CARD L571/062.
6. PRODUCT SPECIFICATION PS-46114-001.
7. PACKAGING PER PK-46114-003.

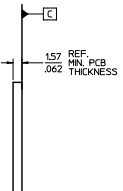
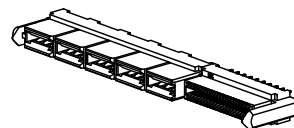
| NO OF SIGNALS | MATERIAL NUMBER | COMPLIANT PLATING | DM A | DM B | DM C |
|---------------|-----------------|-------------------|-------------|-------------|----------|
| 12 | 46114-1012 | TIN | 77.01/3.032 | 77.51/3.052 | |
| 16 | 46114-1016 | TIN | 79.55/3.132 | 80.05/3.152 | |
| 20 | 46114-1020 | TIN | 82.09/3.232 | 82.59/3.252 | |
| 24 | 46114-1024 | TIN | 84.63/3.332 | 85.13/3.352 | 5.45/215 |
| 28 | 46114-1028 | TIN | 87.17/3.432 | 87.67/3.452 | |
| 32 | 46114-1032 | TIN | 89.71/3.532 | 90.21/3.552 | |
| 36 | 46114-1036 | TIN | 92.25/3.632 | 92.75/3.652 | |
| 40 | 46114-1040 | TIN | 94.79/3.732 | 95.29/3.752 | |



PCB COMPONENT SIDE



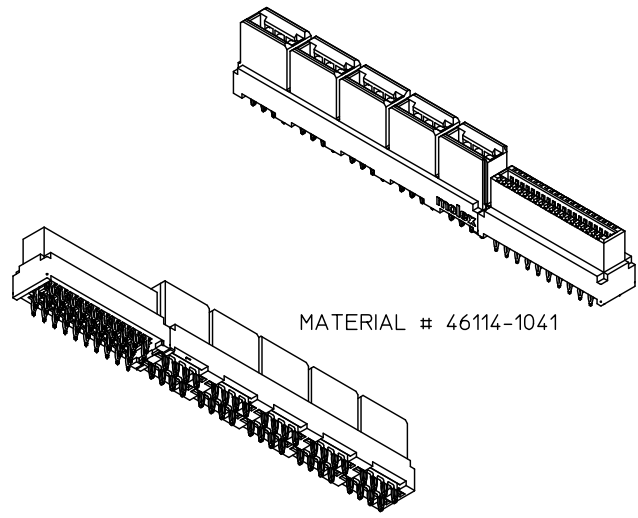
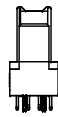
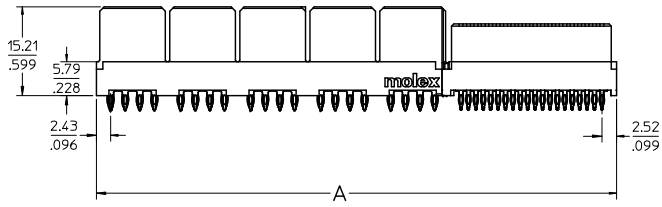
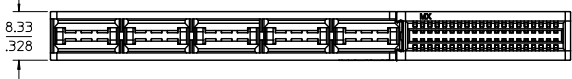
MATERIAL # 46114-1040 SHOWN
SCALE 2:1



| | | | | | | |
|---|-----------------|---------------------------------------|---|-------|--|------------------------|
| ADDED PRESS FIT ELECTRIC CONTACT DRAWN BY: MKARADIMAS 2009/11/08 CHECKED BY: MKARADIMAS 2009/11/08 CHKD: 2009/11/08 APPR: JCOMERCI 2009/12/08 REVISIONS | QUALITY SYMBOLS | GENERAL TOLERANCES (UNLESS SPECIFIED) | DIMENSION STYLE | SCALE | DESIGN UNITS | THIRD ANGLE PROJECTION |
| | | | MM/IN | 2:1 | METRIC | |
| | | | | | | |
| | | | | | | |
| DRAFT WHERE APPLICABLE MUST REMAIN WITHIN DIMENSIONS | | | DRAWN BY: MKARADIMAS 07/23/07 CHECKED BY: PATEL 07/25/07 APPROVED BY: JCOMERCI 2009/12/08 | | TITLE: LPH VERTICAL RECEPTACLE COMPLIANT PIN ASSEMBLY 10CKT PWR CON. PRESS FIT MOLEX INCORPORATED | |
| | | | MATERIAL NO. SEE CHART DOCUMENT NO. SD-46114-100 | | SHEET NO. 1 OF 3 | |
| THIS DRAWING CONTAINS INFORMATION THAT IS PROPRIETARY TO MOLEX INCORPORATED AND SHOULD NOT BE USED WITHOUT WRITTEN PERMISSION | | | | | | |

13 12 11 10 9 8 7 6 5 4 3 2 1

| NO OF SIGNALS | MATERIAL NUMBER | COMPLIANT PIN PLATING | DIM A | DIM B | DIM C |
|---------------|-----------------|-----------------------|-------------|-------------|----------|
| 12 | 46114-1013 | TIN | 71.34/2.809 | 71.84/2.828 | 2.69/106 |
| | 46114-1113 | TIN-LEAD | | | |
| 16 | 46114-1017 | TIN | 73.88/2.909 | 74.38/2.928 | |
| | 46114-1117 | TIN-LEAD | | | |
| 20 | 46114-1021 | TIN | 76.42/3.009 | 76.92/3.028 | |
| | 46114-1121 | TIN-LEAD | | | |
| 24 | 46114-1025 | TIN | 78.96/3.109 | 79.46/3.128 | |
| | 46114-1125 | TIN-LEAD | | | |
| 28 | 46114-1029 | TIN | 81.50/3.209 | 82.00/3.228 | |
| | 46114-1129 | TIN-LEAD | | | |
| 32 | 46114-1033 | TIN | 84.04/3.309 | 84.54/3.328 | |
| | 46114-1133 | TIN-LEAD | | | |
| 36 | 46114-1037 | TIN | 86.58/3.409 | 87.08/3.428 | |
| | 46114-1137 | TIN-LEAD | | | |
| 40 | 46114-1041 | TIN | 89.12/3.509 | 89.62/3.528 | |
| | 46114-1141 | TIN-LEAD | | | |



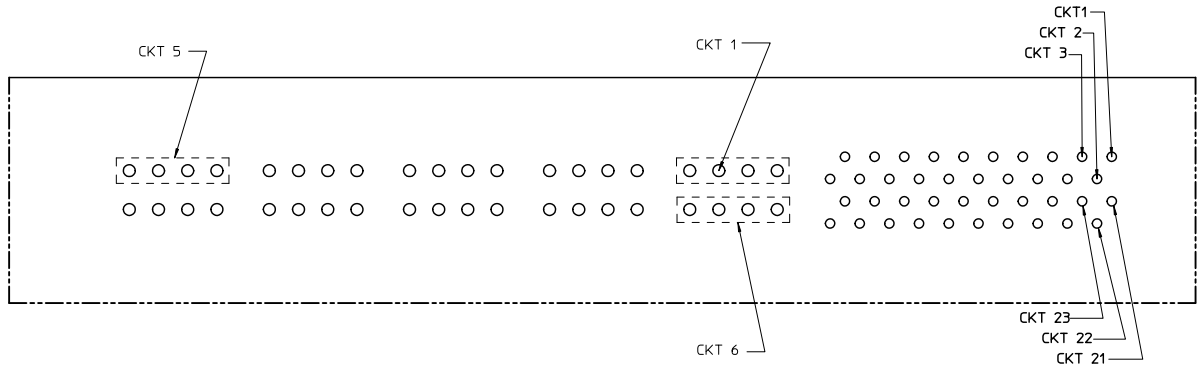
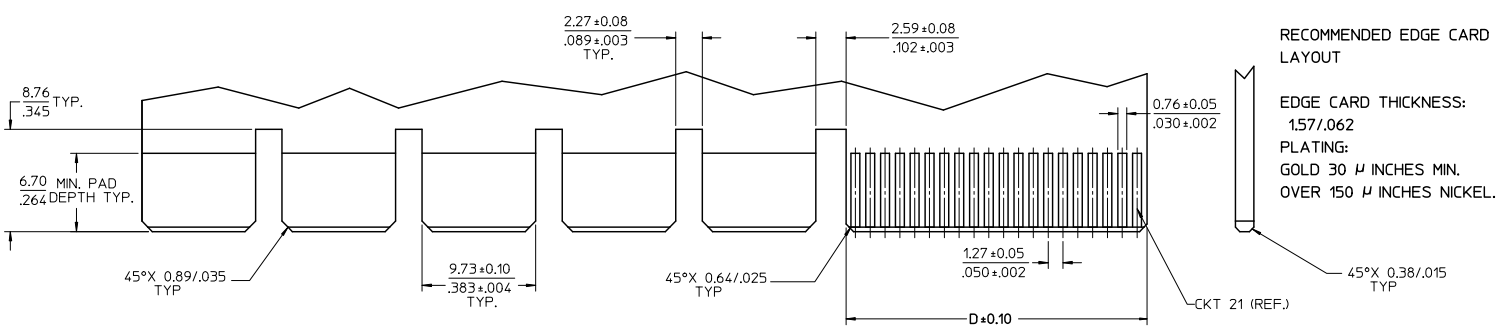
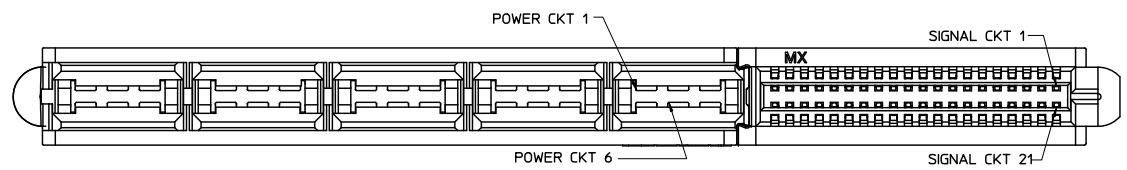
| | | | | | | | | | | |
|--|--------------------------------|---|--|---|---|---|---------------------|--------------------------|--|------------------|
| SEE SHT 1 EC NO: UCP2010-1199 DRAWN: MKARADIMAS 2009/11/30 CHKD: JCOMERC1 2009/12/03 APPR: JCOMERC1 2009/12/08 | QUALITY SYMBOLS DESCRIPTION | GENERAL TOLERANCES (UNLESS SPECIFIED) | | DIMENSION STYLE MM/IN | | SCALE 1:1 | DESIGN UNITS METRIC | THIRD ANGLE PROJECTION | | |
| | | 4 PLACES ±.010 3 PLACES ±.010 2 PLACES ±0.25 1 PLACE ± | mm INCH ±.010 ±.010 ±.010 ±.010 ±.010 ±.010 | DRAWN BY MKARADIMAS CHECKED BY APATEL APPROVED BY JCOMERC1 | DATE 07/23/07 DATE 07/25/07 DATE 2009/12/03 | TITLE LPH VERTICAL RECEPTACLE COMPLIANT PIN ASSEMBLY 10CKT PWR CON, PRESS FIT | | | | |
| | | ANGULAR ±1/2° | | DRAFT WHERE APPLICABLE MUST REMAIN WITHIN DIMENSIONS | | SEE CHART | | MOLEX MOLEX INCORPORATED | | SHEET NO. 2 OF 3 |
| | | MATERIAL NO. SD-46114-100 | | THIS DRAWING CONTAINS INFORMATION THAT IS PROPRIETARY TO MOLEX INCORPORATED AND SHOULD NOT BE USED WITHOUT WRITTEN PERMISSION | | | | | | |

12 11 10 9 8 7 6 5 4 3 2 1

13 12 11 10 9 8 7 6 5 4 3 2 1

POWER 10 CKT SIGNAL 40 CKT

| NO OF SIGNAL | DIM. D |
|--------------|-------------|
| 12 | 8.00/.315 |
| 16 | 10.54/.415 |
| 20 | 13.08/.515 |
| 24 | 15.62/.615 |
| 28 | 18.16/.715 |
| 32 | 20.70/.817 |
| 36 | 23.24/.915 |
| 40 | 25.78/1.015 |



PCB LAYOUT COMPONENT SIDE SEE SHT 1 FOR DIMENSIONS

| | | | | | | | |
|--|-----------------|--|--|--------------|---|------------------------|--|
| SEE SHT 1 EC NO: UCP2010-1199 DRAWN: MKARADIMAS 2009/11/30 CHKD: JCOMERC 2009/12/03 APPR: JCOMERC 2009/12/08 | QUALITY SYMBOLS | GENERAL TOLERANCES (UNLESS SPECIFIED) | DIMENSION STYLE MM/IN | SCALE 1:1 | DESIGN UNITS METRIC | THIRD ANGLE PROJECTION | |
| | | 4 PLACES ±.010 3 PLACES ±.010 2 PLACES ±0.25 1 PLACE ±.010 ANGULAR ±1/2° | mm INCH DRAWN BY MKARADIMAS DATE 07/23/07 CHECKED BY APATEL DATE 07/25/07 APPROVED BY JCOMERC I DATE 2009/12/03 | TITLE | LPH VERTICAL RECEPTACLE COMPLIANT PIN ASSEMBLY 10CKT PWR CON, PRESS FIT | | |
| | | DRAFT WHERE APPLICABLE MUST REMAIN WITHIN DIMENSIONS | SEE CHART | MATERIAL NO. | DOCUMENT NO. | SD-46114-100 | |
| | | | | | | SHEET NO. 3 OF 3 | |

12 11 10 9 8 7 6 5 4 3 2 1