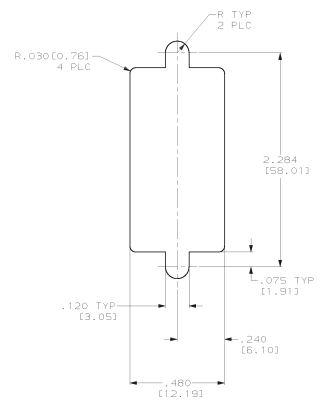
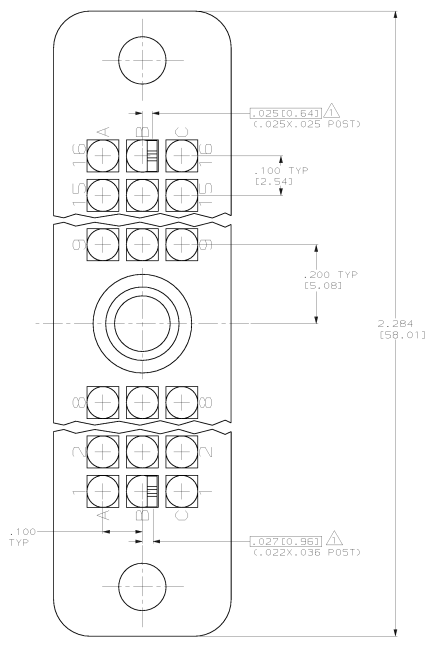
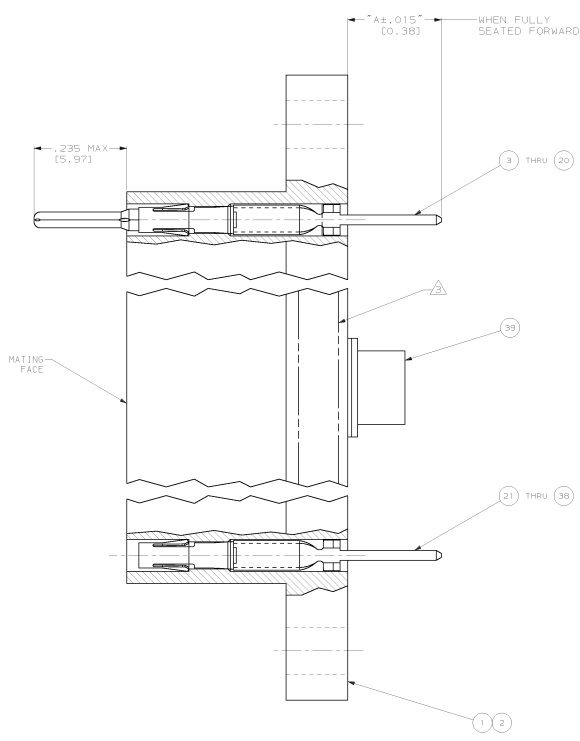


REVISIONS			
REV	DATE	BY	APP
1	7-02	CT	JM

△ THE TIP OF THE CONTACT POSTS WILL FALL WITHIN .005 DIAMETER TRUE POSITION OF EACH OTHER.
 △ PARTS TO BE ASSEMBLED BY AMP INC.
 △ AMP, PART NUMBER AND DATE CODE MARKED ON EITHER SIDE.



SUGGESTED PANEL CUTOUT SCALE 4:1

TERMINATION	NUMBER OF TERMINATIONS	TYPE OF POST
.520 [13.21]	3	.022X.036 POST
.370 [9.40]	2	
.220 [5.59]	1	
.670 [17.02]	3	.025X.025 POST
.455 [11.56]	2	
.242 [6.15]	1	

INTENDED FOR USE	AMP Incorporated Harrisburg, PA 17105-3608
DESCRIPTION	48 POSITION, HDR, PLUG /W JACKSCREW
AMP PART NUMBER	A100779
DATE	06-20-87
REV	1

