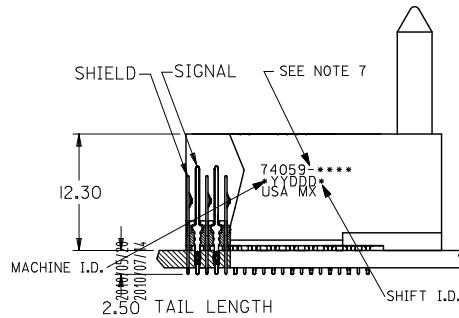
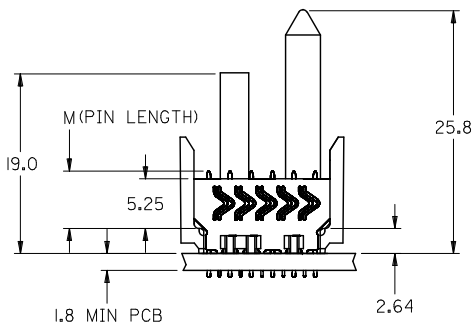
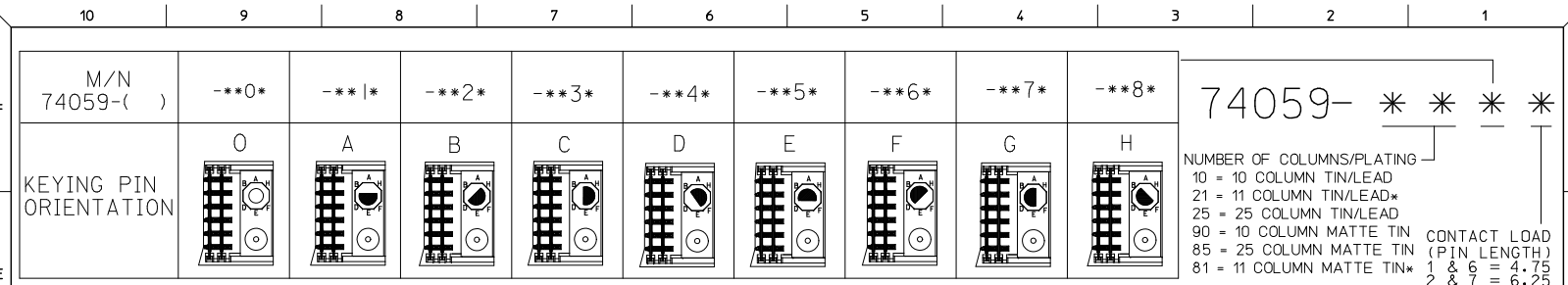


- NOTES:**
- MATERIALS:**  
HOUSING - LIQUID CRYSTAL POLYMER (LCP), GLASS-FILLED, UL 94V-0, COLOR: BLACK  
SIGNAL PIN & SHIELD - COPPER ALLOY
  - FINISHES:**  
CONTACT AREA: SELECTIVE GOLD (Au)  
PCB TAILS: SELECTIVE TIN/LEAD (Sn/Pb) OR SELECTIVE MATTE TIN (Sn)  
NICKEL (Ni) OVERALL.
  - THIS PART CONFORMS TO MOLEX PRODUCT SPECIFICATION PS-74031-999
  - FOR MIXED CONTACT LENGTHS CONSULT MOLEX FOR AVAILABILITY
  - FOR SPECIFIC MATERIAL NUMBERS & MATING INFORMATION REFER TO SHEET 2 AND 3
  - PACKAGE PER PK-74058-003
  - MARK PART WITH PART NUMBER & DATE CODE APPROXIMATELY WHERE SHOWN



UPDATE VIEWS - HSG KEY SLOT EC NO: UCP2010-1574 DRWN: JMELTON 2010/05/20 CHKD: SDANNELLEY APPR: SMILLER	QUALITY SYMBOLS $\nabla=0$ $\nabla=0$ $\nabla=0$	GENERAL TOLERANCES (UNLESS SPECIFIED)		DIMENSION STYLE <b>MM ONLY</b>		SCALE <b>2.5:1</b>	DESIGN UNITS <b>METRIC</b>	$\text{THIRD ANGLE PROJECTION}$		
				DRAWN BY JMELTON	DATE 2010/05/20	TITLE <b>VHDM 6 ROW SHIELD END BACKPLANE SALES DRAWING</b>				
				CHECKED BY SDANNELLEY	DATE 2010/05/20	MOLEX INCORPORATED				
				APPROVED BY SMILLER	DATE 2010/07/14	MATERIAL NO. SEE SHEET 2 & 3	DOCUMENT NO. SD-74059-002	SHEET NO. 1 OF 3		
DRAFT WHERE APPLICABLE MUST REMAIN WITHIN DIMENSIONS		THIS DRAWING CONTAINS INFORMATION THAT IS PROPRIETARY TO MOLEX INCORPORATED AND SHOULD NOT BE USED WITHOUT WRITTEN PERMISSION								

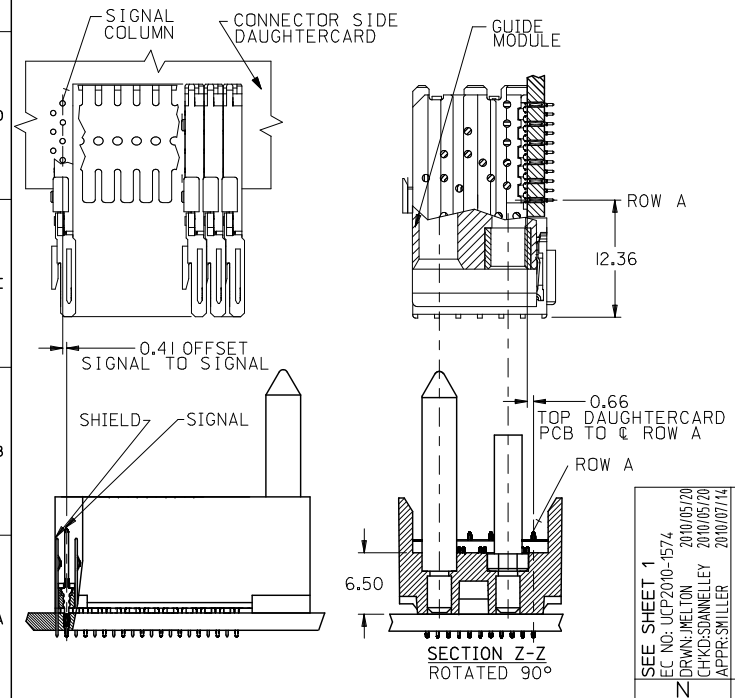


74059- \* \* \* \*

NUMBER OF COLUMNS/PLATING  
 10 = 10 COLUMN TIN/LEAD  
 21 = 11 COLUMN TIN/LEAD\*  
 25 = 25 COLUMN TIN/LEAD  
 90 = 10 COLUMN MATTE TIN  
 85 = 25 COLUMN MATTE TIN\*  
 81 = 11 COLUMN MATTE TIN\*

CONTACT LOAD (PIN LENGTH)  
 1 & 6 = 4.75  
 2 & 7 = 6.25  
 3 & 8 = 4.25  
 4 & 9 = 5.15

\* - SEE SHEET 3 FOR 11 COLUMN P/N'S



PART NUMBER	COLUMN	NUMBER OF SIGNAL PIN	NUMBER OF SHIELD	A	B	M	Au (um) THICKNESS	Sn (um) THICKNESS
74059-*0*1	10	60	10	27.00	18.00	4.75	0.76	0.76-1.52
74059-*0*6							1.27	
74059-*5*1	25	150	25	57.00	48.00	6.25	0.76	
74059-*5*6							1.27	
74059-*0*2	10	60	10	27.00	18.00	6.25	0.76	
74059-*0*7							1.27	
74059-*5*2	25	150	25	57.00	48.00	4.25	0.76	
74059-*5*7							1.27	
74059-*0*3	10	60	10	27.00	18.00	4.25	0.76	
74059-*0*8							1.27	
74059-*5*3	25	150	25	57.00	48.00	5.15	0.76	
74059-*5*8							1.27	
74059-*0*4	10	60	10	27.00	18.00	5.15	0.76	
74059-*0*9							1.27	
74059-*5*4	25	150	25	57.00	48.00	4.75	0.76	
74059-*5*9							1.27	

SEE SHEET 1 EC NO: UCP2010-1574 DRWN: JMELTON 2010/05/20 CHKD: SDANNELLEY 2010/05/20 APPR: SMILLER 2010/07/14 N REV	QUALITY SYMBOLS $\nabla=0$ $\nabla=0$ $\nabla=0$	GENERAL TOLERANCES (UNLESS SPECIFIED) mm    INCH 4 PLACES ± --- ± --- 3 PLACES ± --- ± --- 2 PLACES ± 0.10 ± --- 1 PLACE ± 0.25 ± --- ANGULAR ±1/2°	DIMENSION STYLE <b>MM ONLY</b> DRAWN BY: JMELTON    DATE: 2010/05/20 CHECKED BY: SDANNELLEY    DATE: 2010/05/20 APPROVED BY: SMILLER    DATE: 2010/07/14	SCALE: 2.5:1 DESIGN UNITS: METRIC THIRD ANGLE PROJECTION	TITLE: VHDM 6 ROW SHIELD END BACKPLANE SALES DRAWING MOLEX INCORPORATED MATERIAL NO.    DOCUMENT NO. SD-74059-002 SHEET NO. 2 OF 3
	DRAFT WHERE APPLICABLE MUST REMAIN WITHIN DIMENSIONS		SEE TABLE	THIS DRAWING CONTAINS INFORMATION THAT IS PROPRIETARY TO MOLEX INCORPORATED AND SHOULD NOT BE USED WITHOUT WRITTEN PERMISSION	
			SIZE: B		

10 9 8 7 6 5 4 3 2 1

PART NUMBER	COLUMN	NUMBER OF SIGNAL PIN	NUMBER OF SHIELD	A	B	M	Au (um) THICKNESS	Sn (um) THICKNESS
74059-*1*1	11	66	11	29.00	20.00	4.75	0.76	0.76-1.52
74059-*1*6							1.27	
74059-*1*2	11	66	11	29.00	20.00	6.25	0.76	
74059-*1*7							1.27	
74059-*1*3	11	66	11	29.00	20.00	4.25	0.76	
74059-*1*8							1.27	
74059-*1*4	11	66	11	29.00	20.00	5.15	0.76	
74059-*1*9							1.27	

11 COLUMN P/N'S

SEE SHEET 1 EC NO: UCP2010-1574 DRAWN: JMELTON 2010/05/20 CHECKED: SDANNELLEY 2010/05/20 APPR: SMILLER 2010/07/14 N REV	QUALITY SYMBOLS	GENERAL TOLERANCES (UNLESS SPECIFIED)	DIMENSION STYLE MM ONLY	SCALE 2.5:1	DESIGN UNITS METRIC	THIRD ANGLE PROJECTION	
	$\nabla=0$ $\nabla=0$ $\nabla=0$	mm    INCH 4 PLACES ± --- ± --- 3 PLACES ± --- ± --- 2 PLACES ± 0.10 ± --- 1 PLACE ± 0.25 ± --- ANGULAR ± 1/2°	DRAWN BY: JMELTON    DATE: 2010/05/20 CHECKED BY: SDANNELLEY    DATE: 2010/05/20 APPROVED BY: SMILLER    DATE: 2010/07/14	TITLE	VHDM 6 ROW SHIELD END BACKPLANE SALES DRAWING MOLEX INCORPORATED		
	DRAFT WHERE APPLICABLE MUST REMAIN WITHIN DIMENSIONS	SEE TABLE	MATERIAL NO.	DOCUMENT NO.	SHEET NO.		
					SD-74059-002 3 OF 3		

10 9 8 7 6 5 4 3 2 1

tb\_frame\_B\_P\_AM\_T  
Rev. F 2009/06/18