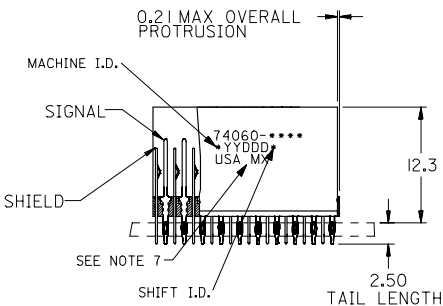
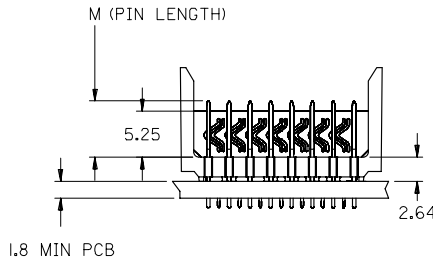


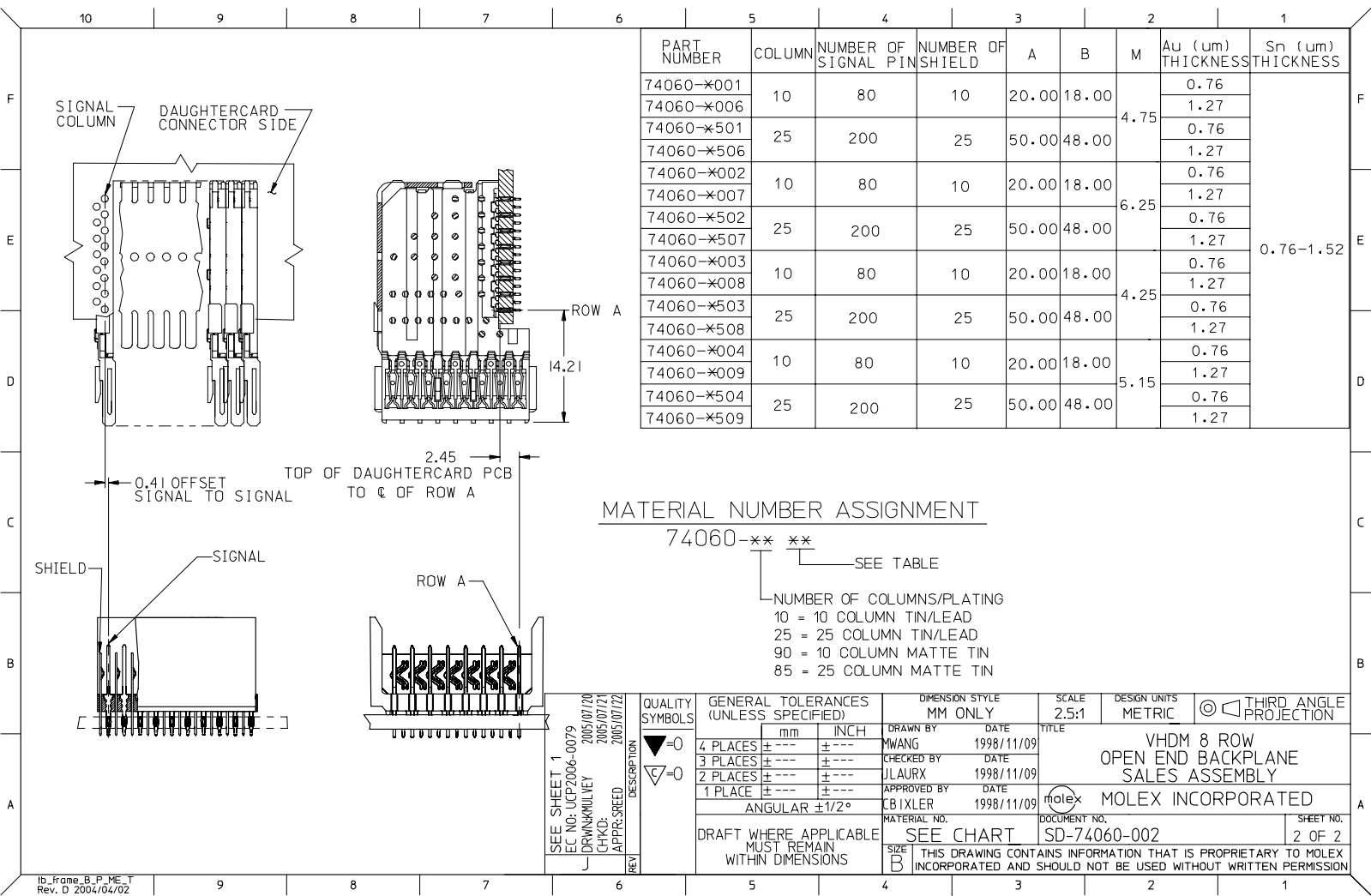
$\varnothing 0.56 \pm 0.05$ PTH
 $\varnothing 0.66$ DRILL
 $\varnothing 1.00$ PAD
 $\varnothing \varnothing 0.1 \varnothing$

- NOTES:
- MATERIALS:
HOUSING - LIQUID CRYSTAL POLYMER (LCP), GLASS-FILLED, UL 94V-0, COLOR: BLACK
SIGNAL PIN & SHIELD - COPPER ALLOY
 - FINISHES:
CONTACT AREA: SELECTIVE GOLD (Au)
PCB TAILS: SELECTIVE TIN/LEAD (Sn/Pb) OR SELECTIVE MATTE TIN (Sn)
NICKEL (Ni) OVERALL.
 - THIS PART CONFORMS TO MOLEX PRODUCT SPECIFICATION PS-74031-999
 - FOR MIXED CONTACT LENGTHS CONSULT MOLEX FOR AVAILABILITY
 - FOR SPECIFIC MATERIAL NUMBERS & MATING INFORMATION REFER TO SHEET 2
 - PACKAGE PER PK-74060-003
 - EITHER MARK PART WITH PART NUMBER & DATE CODE APPROXIMATELY WHERE SHOWN OR PLACE LABEL ON THE TUBE.

BACKPLANE HOLE PATTERN RECOMMENDED DIMENSION



ADD LEADFREE PNs EC NO: LCP2006-0079 DRAWN: MWANG CHKD: JL AURX APPR: CBIXLER 2005/07/20 2005/07/21 2005/07/22	QUALITY SYMBOLS $\blacktriangledown=0$ $\nabla=0$	GENERAL TOLERANCES (UNLESS SPECIFIED)		DIMENSION STYLE	SCALE	DESIGN UNITS	THIRD ANGLE PROJECTION		
				MM ONLY	2.5:1	METRIC			
				DRAWN BY	DATE	TITLE			
				CHECKED BY	DATE	VHDM 8 ROW OPEN END BACKPLANE SALES ASSEMBLY			
		ANGULAR $\pm 1/2^\circ$		APPROVED BY	DATE	MOLEX INCORPORATED			
		DRAFT WHERE APPLICABLE MUST REMAIN WITHIN DIMENSIONS		CBIXLER	1998/11/09	MOLEX INCORPORATED			
				MATERIAL NO.	DOCUMENT NO.	STEEL NO.			
				SEE SHEET 2	SD-74060-002	1 OF 2			
				THIS DRAWING CONTAINS INFORMATION THAT IS PROPRIETARY TO MOLEX INCORPORATED AND SHOULD NOT BE USED WITHOUT WRITTEN PERMISSION					



PART NUMBER	COLUMN	NUMBER OF SIGNAL PIN	NUMBER OF SHIELD	A	B	M	Au (um) THICKNESS	Sn (um) THICKNESS
74060-×001							0.76	0.76-1.52
74060-×006	10	80	10	20.00	18.00	4.75	1.27	
74060-×501							0.76	
74060-×506	25	200	25	50.00	48.00		1.27	
74060-×002							0.76	
74060-×007	10	80	10	20.00	18.00	6.25	1.27	
74060-×502							0.76	
74060-×507	25	200	25	50.00	48.00		1.27	
74060-×003							0.76	
74060-×008	10	80	10	20.00	18.00	4.25	1.27	
74060-×503							0.76	
74060-×508	25	200	25	50.00	48.00		1.27	
74060-×004							0.76	
74060-×009	10	80	10	20.00	18.00	5.15	1.27	
74060-×504							0.76	
74060-×509	25	200	25	50.00	48.00		1.27	

MATERIAL NUMBER ASSIGNMENT

74060-** **
 SEE TABLE
 NUMBER OF COLUMNS/PLATING
 10 = 10 COLUMN TIN/LEAD
 25 = 25 COLUMN TIN/LEAD
 90 = 10 COLUMN MATTE TIN
 85 = 25 COLUMN MATTE TIN

SEE SHEET 1 EC NO: LCP2006-0079 DRAWN: KILLEY 2005/07/20 CHKD: 2005/07/21 APPR: SREED 2005/07/22	QUALITY SYMBOLS	GENERAL TOLERANCES (UNLESS SPECIFIED)	DIMENSION STYLE	SCALE	DESIGN UNITS	THIRD ANGLE PROJECTION															
	$\nabla=0$ $\sphericalangle=0$	<table border="1"> <tr> <th></th> <th>mm</th> <th>INCH</th> </tr> <tr> <td>4 PLACES</td> <td>± ---</td> <td>± ---</td> </tr> <tr> <td>3 PLACES</td> <td>± ---</td> <td>± ---</td> </tr> <tr> <td>2 PLACES</td> <td>± ---</td> <td>± ---</td> </tr> <tr> <td>1 PLACE</td> <td>± ---</td> <td>± ---</td> </tr> </table>		mm	INCH	4 PLACES	± ---	± ---	3 PLACES	± ---	± ---	2 PLACES	± ---	± ---	1 PLACE	± ---	± ---	MM ONLY	2.5:1	METRIC	
		mm	INCH																		
	4 PLACES	± ---	± ---																		
3 PLACES	± ---	± ---																			
2 PLACES	± ---	± ---																			
1 PLACE	± ---	± ---																			
DRAWN BY: MWANG 1998/11/09 CHECKED BY: JLAURX 1998/11/09 APPROVED BY: CBIXLER 1998/11/09	ANGULAR $\pm 1/2^\circ$ DRAFT WHERE APPLICABLE MUST REMAIN WITHIN DIMENSIONS	DRAWN BY: MWANG 1998/11/09 CHECKED BY: JLAURX 1998/11/09 APPROVED BY: CBIXLER 1998/11/09	TITLE: VHDM 8 ROW OPEN END BACKPLANE SALES ASSEMBLY MOLEX INCORPORATED MATERIAL NO. SEE CHART DOCUMENT NO. SD-74060-002	SCALE: 2.5:1 DESIGN UNITS: METRIC	THIRD ANGLE PROJECTION	STEEL NO. 2 OF 2															
THIS DRAWING CONTAINS INFORMATION THAT IS PROPRIETARY TO MOLEX INCORPORATED AND SHOULD NOT BE USED WITHOUT WRITTEN PERMISSION																					