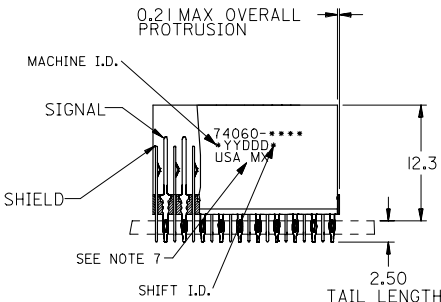
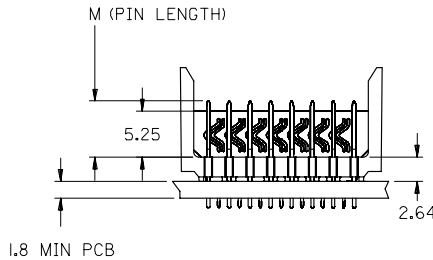


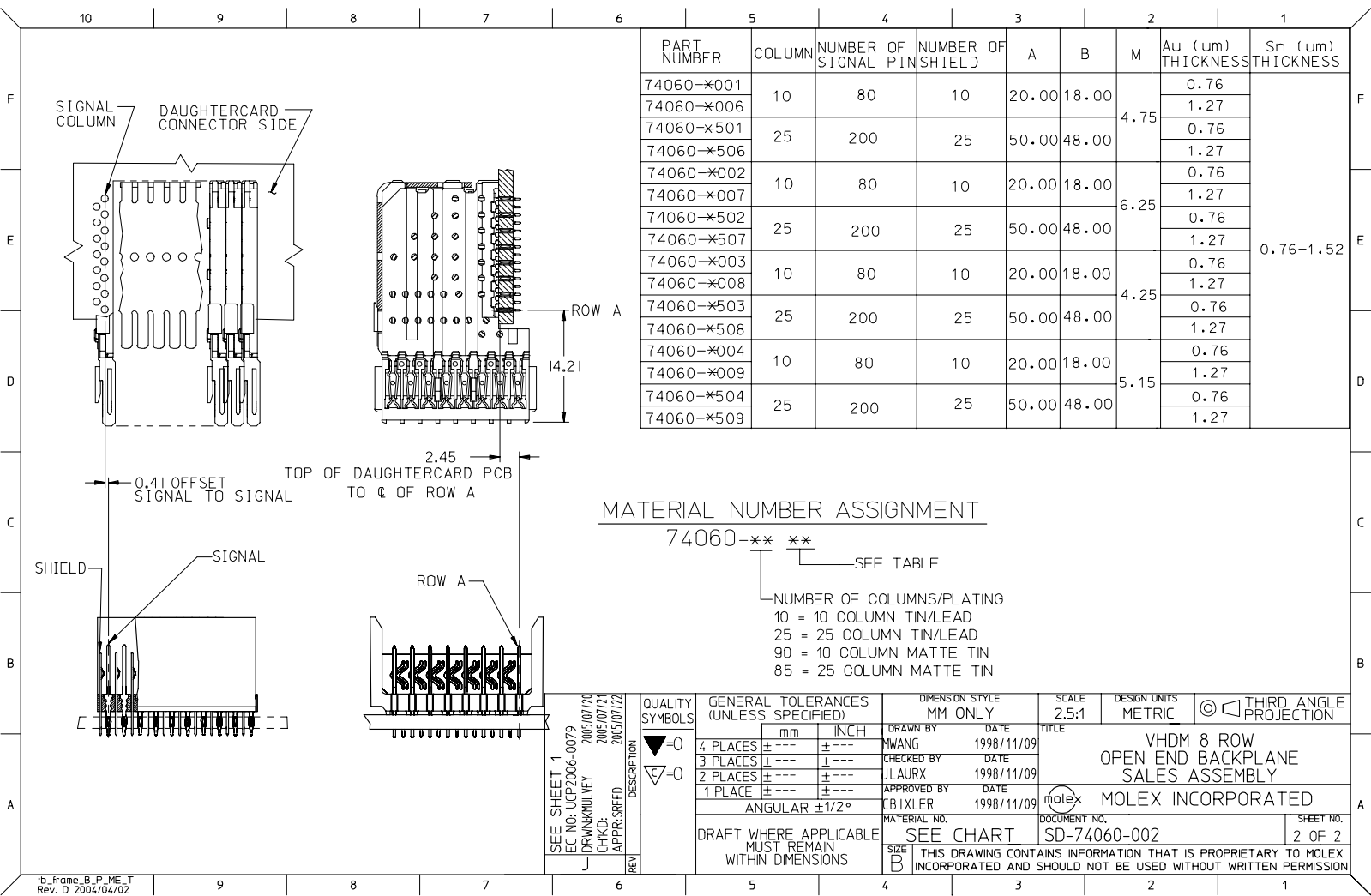
$\varnothing 0.56 \pm 0.05$  PTH  
 $\varnothing 0.66$  DRILL  
 $\varnothing 1.00$  PAD  
 $\varnothing \varnothing 0.1 \varnothing$

- NOTES:
- MATERIALS:  
HOUSING - LIQUID CRYSTAL POLYMER (LCP), GLASS-FILLED, UL 94V-0, COLOR: BLACK  
SIGNAL PIN & SHIELD - COPPER ALLOY
  - FINISHES:  
CONTACT AREA: SELECTIVE GOLD (Au)  
PCB TAILS: SELECTIVE TIN/LEAD (Sn/Pb) OR SELECTIVE MATTE TIN (Sn)  
NICKEL (Ni) OVERALL.
  - THIS PART CONFORMS TO MOLEX PRODUCT SPECIFICATION PS-74031-999
  - FOR MIXED CONTACT LENGTHS CONSULT MOLEX FOR AVAILABILITY
  - FOR SPECIFIC MATERIAL NUMBERS & MATING INFORMATION REFER TO SHEET 2
  - PACKAGE PER PK-74060-003
  - EITHER MARK PART WITH PART NUMBER & DATE CODE APPROXIMATELY WHERE SHOWN OR PLACE LABEL ON THE TUBE.

BACKPLANE HOLE PATTERN RECOMMENDED DIMENSION



ADD LEADFREE PNs EC NO: LCP2006-0079 DRAWN: MULLVEY CHKD: 2005/07/17 APPR: SREED 2005/07/17	QUALITY SYMBOLS $\blacktriangledown=0$ $\nabla=0$	GENERAL TOLERANCES (UNLESS SPECIFIED)		DIMENSION STYLE MM ONLY	SCALE 2.5:1	DESIGN UNITS METRIC	THIRD ANGLE PROJECTION											
		<table border="1"> <tr><th>mm</th><th>INCH</th></tr> <tr><td>4 PLACES ±---</td><td>±---</td></tr> <tr><td>3 PLACES ±---</td><td>±---</td></tr> <tr><td>2 PLACES ±---</td><td>±---</td></tr> <tr><td>1 PLACE ±---</td><td>±---</td></tr> </table>	mm	INCH	4 PLACES ±---	±---	3 PLACES ±---	±---	2 PLACES ±---	±---	1 PLACE ±---	±---	DRAWN BY MWANG 1998/11/09		TITLE VHDM 8 ROW OPEN END BACKPLANE SALES ASSEMBLY			
		mm	INCH															
		4 PLACES ±---	±---															
3 PLACES ±---	±---																	
2 PLACES ±---	±---																	
1 PLACE ±---	±---																	
ANGULAR $\pm 1/2^\circ$		CHECKED BY JLAURX 1998/11/09		MOLEX INCORPORATED														
DRAFT WHERE APPLICABLE MUST REMAIN WITHIN DIMENSIONS		APPROVED BY CBIXLER 1998/11/09		MATERIAL NO. SEE SHEET 2		DOCUMENT NO. SD-74060-002												



PART NUMBER	COLUMN	NUMBER OF SIGNAL PIN	NUMBER OF SHIELD	A	B	M	Au (um) THICKNESS	Sn (um) THICKNESS
74060-×001							0.76	0.76-1.52
74060-×006	10	80	10	20.00	18.00	4.75	1.27	
74060-×501							0.76	
74060-×506	25	200	25	50.00	48.00		1.27	
74060-×002							0.76	
74060-×007	10	80	10	20.00	18.00	6.25	1.27	
74060-×502							0.76	
74060-×507	25	200	25	50.00	48.00		1.27	
74060-×003							0.76	
74060-×008	10	80	10	20.00	18.00	4.25	1.27	
74060-×503							0.76	
74060-×508	25	200	25	50.00	48.00		1.27	
74060-×004							0.76	
74060-×009	10	80	10	20.00	18.00	5.15	1.27	
74060-×504							0.76	
74060-×509	25	200	25	50.00	48.00		1.27	

**MATERIAL NUMBER ASSIGNMENT**

74060-\*\* \*\*  
 SEE TABLE  
 NUMBER OF COLUMNS/PLATING  
 10 = 10 COLUMN TIN/LEAD  
 25 = 25 COLUMN TIN/LEAD  
 90 = 10 COLUMN MATTE TIN  
 85 = 25 COLUMN MATTE TIN

SEE SHEET 1 EC NO: LCP2006-0079 DRAWN: KILLEY 2005/07/20 CHKD: 2005/07/21 APPR: SREED 2005/07/22	QUALITY SYMBOLS	GENERAL TOLERANCES (UNLESS SPECIFIED)	DIMENSION STYLE MM ONLY	SCALE 2.5:1	DESIGN UNITS METRIC	THIRD ANGLE PROJECTION																											
	$\nabla=0$ $\sphericalangle=0$	<table border="1"> <tr><th></th><th>mm</th><th>INCH</th></tr> <tr><td>4 PLACES</td><td>±---</td><td>±---</td></tr> <tr><td>3 PLACES</td><td>±---</td><td>±---</td></tr> <tr><td>2 PLACES</td><td>±---</td><td>±---</td></tr> <tr><td>1 PLACE</td><td>±---</td><td>±---</td></tr> </table>		mm	INCH	4 PLACES	±---	±---	3 PLACES	±---	±---	2 PLACES	±---	±---	1 PLACE	±---	±---	<table border="1"> <tr><th>DRAWN BY</th><th>DATE</th></tr> <tr><td>MWANG</td><td>1998/11/09</td></tr> <tr><th>CHECKED BY</th><th>DATE</th></tr> <tr><td>JLAURX</td><td>1998/11/09</td></tr> <tr><th>APPROVED BY</th><th>DATE</th></tr> <tr><td>CBIXLER</td><td>1998/11/09</td></tr> </table>	DRAWN BY	DATE	MWANG	1998/11/09	CHECKED BY	DATE	JLAURX	1998/11/09	APPROVED BY	DATE	CBIXLER	1998/11/09	TITLE <b>VHDM 8 ROW          OPEN END BACKPLANE          SALES ASSEMBLY</b>		
		mm	INCH																														
	4 PLACES	±---	±---																														
3 PLACES	±---	±---																															
2 PLACES	±---	±---																															
1 PLACE	±---	±---																															
DRAWN BY	DATE																																
MWANG	1998/11/09																																
CHECKED BY	DATE																																
JLAURX	1998/11/09																																
APPROVED BY	DATE																																
CBIXLER	1998/11/09																																
DRAFT WHERE APPLICABLE MUST REMAIN WITHIN DIMENSIONS	MATERIAL NO. <b>SEE CHART</b>	DOCUMENT NO. <b>SD-74060-002</b>	MOLEX INCORPORATED																														