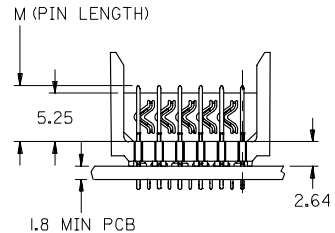
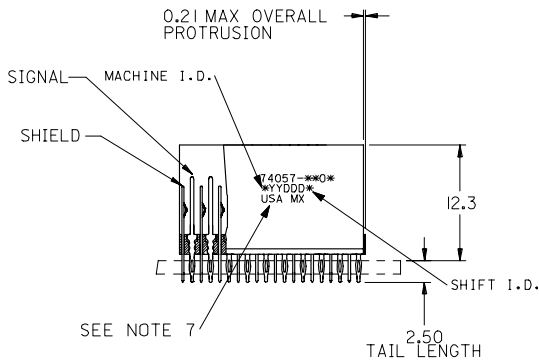
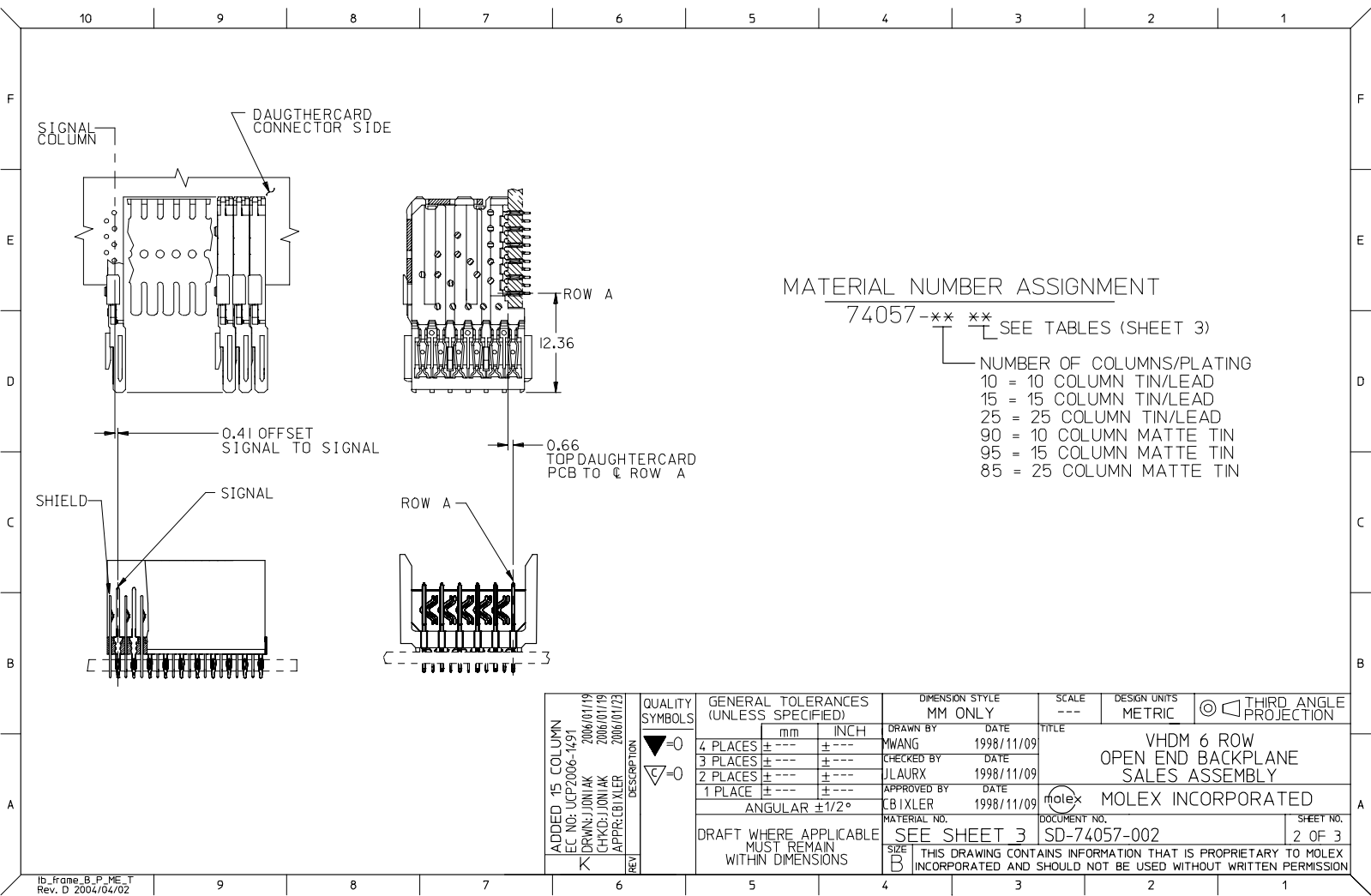


BACKPLANE HOLE PATTERN  
RECOMMENDED DIMENSIONS

- NOTES:
1. MATERIALS:  
HOUSING - LIQUID CRYSTAL POLYMER (LCP),  
GLASS-FILLED, UL 94V-0, COLOR: BLACK  
SIGNAL PIN & SHIELD - COPPER ALLOY
  2. FINISHES:  
CONTACT AREA: SELECTIVE GOLD (Au)  
PCB TAILS: SELECTIVE TIN/LEAD (Sn/Pb)  
OR SELECTIVE MATTE TIN (Sn)  
NICKEL (Ni) OVERALL.
  3. THIS PART CONFORMS TO MOLEX PRODUCT  
SPECIFICATION PS-74031-999
  4. FOR MIXED CONTACT LENGTHS CONSULT  
MOLEX FOR AVAILABILITY
  5. FOR SPECIFIC MATERIAL NUMBERS & MATING  
INFORMATION REFER TO SHEET 2
  6. PACKAGE PER PK-74057-003
  7. EITHER MARK PART WITH PART NUMBER & DATE  
CODE APPROXIMATELY WHERE SHOWN OR PLACE  
LABEL ON THE TUBE.



ADD'D 15 COLUMN EC NO: LCP2006-1491 DRAWN: JONIAK 2006/01/19 CHECK: JONIAK 2006/01/19 APPROV: CBIXLER 2006/01/23	QUALITY SYMBOLS ▽=0 ▽=0	GENERAL TOLERANCES (UNLESS SPECIFIED)		DIMENSION STYLE	SCALE	DESIGN UNITS	THIRD ANGLE PROJECTION	
		mm	INCH	MM ONLY	2.5:1	METRIC		
		4 PLACES ±---	±---	DRAWN BY	DATE	TITLE		
		3 PLACES ±---	±---	MWANG	1998/11/09	VHDM 6 ROW OPEN END BACKPLANE SALES ASSEMBLY		
2 PLACES ±---	±---	CHECKED BY	DATE	MOLEX INCORPORATED			MATERIAL NO. SEE SHEET 3 DOCUMENT NO. SD-74057-002	
1 PLACE ±---	±---	APPROVED BY	DATE	MOLEX INCORPORATED				
		ANGULAR ±1/2°		DRAFT WHERE APPLICABLE MUST REMAIN WITHIN DIMENSIONS				STEEL NO. 1 OF 3
THIS DRAWING CONTAINS INFORMATION THAT IS PROPRIETARY TO MOLEX INCORPORATED AND SHOULD NOT BE USED WITHOUT WRITTEN PERMISSION								



MATERIAL NUMBER ASSIGNMENT

74057-\*\*-\*\* SEE TABLES (SHEET 3)

- NUMBER OF COLUMNS/PLATING
- 10 = 10 COLUMN TIN/LEAD
- 15 = 15 COLUMN TIN/LEAD
- 25 = 25 COLUMN TIN/LEAD
- 90 = 10 COLUMN MATTE TIN
- 95 = 15 COLUMN MATTE TIN
- 85 = 25 COLUMN MATTE TIN

ADDED 15 COLUMN EC NO: LCP2006-1491 DRAWN: JONIAK 2006/01/19 CHECK: JONIAK 2006/01/19 APPRO: BIXLER 2006/01/23	QUALITY SYMBOLS ▽=0 ▽=0	GENERAL TOLERANCES (UNLESS SPECIFIED)		DIMENSION STYLE	SCALE	DESIGN UNITS	THIRD ANGLE PROJECTION	
				MM ONLY	---	METRIC		
		mm	INCH	DRAWN BY	DATE	TITLE		
		4 PLACES ± --- ± ---	± --- ± ---	MWANG	1998/11/09	VHDM 6 ROW OPEN END BACKPLANE SALES ASSEMBLY		
3 PLACES ± --- ± ---	± --- ± ---	CHECKED BY	DATE	MOLEX INCORPORATED 				
2 PLACES ± --- ± ---	± --- ± ---	JLAURX	1998/11/09					
1 PLACE ± --- ± ---	± --- ± ---	APPROVED BY	DATE	MATERIAL NO.	DOCUMENT NO.	STREET NO.		
	ANGULAR ±1/2°	BIXLER	1998/11/09	SEE SHEET 3	SD-74057-002	2 OF 3		
DRAFT WHERE APPLICABLE MUST REMAIN WITHIN DIMENSIONS		THIS DRAWING CONTAINS INFORMATION THAT IS PROPRIETARY TO MOLEX INCORPORATED AND SHOULD NOT BE USED WITHOUT WRITTEN PERMISSION						

PART NUMBER	COLUMN	NUMBER OF SIGNAL PIN	NUMBER OF SHIELD	A	B	M	Au (um) THICKNESS	PART NUMBER	COLUMN	NUMBER OF SIGNAL PIN	NUMBER OF SHIELD	A	B	M	Au (um) THICKNESS
74057-1001	10	60	10	20.00	18.00	4.75	0.76	74057-9001	10	60	10	20.00	18.00	4.75	0.76
74057-1006							1.27	74057-9006							1.27
74057-1501	15	90	15	30.00	28.00		0.76	74057-9501	15	90	15	30.00	28.00		0.76
74057-1506							1.27	74057-9506							1.27
74057-2501	25	150	25	50.00	48.00	0.76	74057-8501	25	150	25	50.00	48.00	0.76		
74057-2501						1.27	74057-8501						1.27		
74057-1002	10	60	10	20.00	18.00	6.25	0.76	74057-9002	10	60	10	20.00	18.00	0.76	
74057-1007							1.27	74057-9007						1.27	
74057-1502	15	90	15	30.00	28.00		0.76	74057-9502	15	90	15	30.00	28.00	0.76	
74057-1507							1.27	74057-9507						1.27	
74057-2502	25	150	25	50.00	48.00	0.76	74057-8502	25	150	25	50.00	48.00	0.76		
74057-2507						1.27	74057-8507						1.27		
74057-1003	10	60	10	20.00	18.00	4.25	0.76	74057-9003	10	60	10	20.00	18.00	0.76	
74057-1008							1.27	74057-9008						1.27	
74057-1503	15	90	15	30.00	28.00		0.76	74057-9503	15	90	15	30.00	28.00	0.76	
74057-1508							1.27	74057-9508						1.27	
74057-2503	25	150	25	50.00	48.00	0.76	74057-8503	25	150	25	50.00	48.00	0.76		
74057-2508						1.27	74057-8508						1.27		
74057-1004	10	60	10	20.00	18.00	5.15	0.76	74057-9004	10	60	10	20.00	18.00	0.76	
74057-1009							1.27	74057-9009						1.27	
74057-1504	15	90	15	30.00	28.00		0.76	74057-9504	15	90	15	30.00	28.00	0.76	
74057-1509							1.27	74057-9509						1.27	
74057-2504	25	150	25	50.00	48.00	0.76	74057-8504	25	150	25	50.00	48.00	0.76		
74057-2509						1.27	74057-8509						1.27		

TIN/LEAD CHART

LEAD FREE CHART

ADDED 15 COLUMN EC NO: UCP2006-1491 DRAWN: JONIAK 2006/01/19 CHECKED: JONIAK 2006/01/19 APPROVED: BY ALER 2006/01/23	QUALITY SYMBOLS	GENERAL TOLERANCES (UNLESS SPECIFIED) <table border="1"> <tr><td></td><td>mm</td><td>INCH</td></tr> <tr><td>4 PLACES</td><td>± ---</td><td>± ---</td></tr> <tr><td>3 PLACES</td><td>± ---</td><td>± ---</td></tr> <tr><td>2 PLACES</td><td>± ---</td><td>± ---</td></tr> <tr><td>1 PLACE</td><td>± ---</td><td>± ---</td></tr> </table>		mm	INCH	4 PLACES	± ---	± ---	3 PLACES	± ---	± ---	2 PLACES	± ---	± ---	1 PLACE	± ---	± ---	DIMENSION STYLE MM ONLY	SCALE ---	DESIGN UNITS METRIC	THIRD ANGLE PROJECTION
			mm	INCH																	
	4 PLACES		± ---	± ---																	
	3 PLACES		± ---	± ---																	
2 PLACES	± ---	± ---																			
1 PLACE	± ---	± ---																			
▽=0 ▽=0	DRAWN BY J JONIAK 2006/01/10	DATE 2006/01/10	TITLE VHDM 6 ROW OPEN END BACKPLANE SALES ASSEMBLY																		
	CHECKED BY J JONIAK 2006/01/10	DATE 2006/01/10	MOLEX INCORPORATED																		
	APPROVED BY J JONIAK 2006/01/10	DATE 2006/01/10	MATERIAL NO. SEE CHARTS	DOCUMENT NO. SD-74057-002	STEEL NO. 3 OF 3																
	DRAFT WHERE APPLICABLE MUST REMAIN WITHIN DIMENSIONS		THIS DRAWING CONTAINS INFORMATION THAT IS PROPRIETARY TO MOLEX INCORPORATED AND SHOULD NOT BE USED WITHOUT WRITTEN PERMISSION																		