



1-, 2- and 4-Channel Low Capacitance ESD Protection Arrays

CM1213A

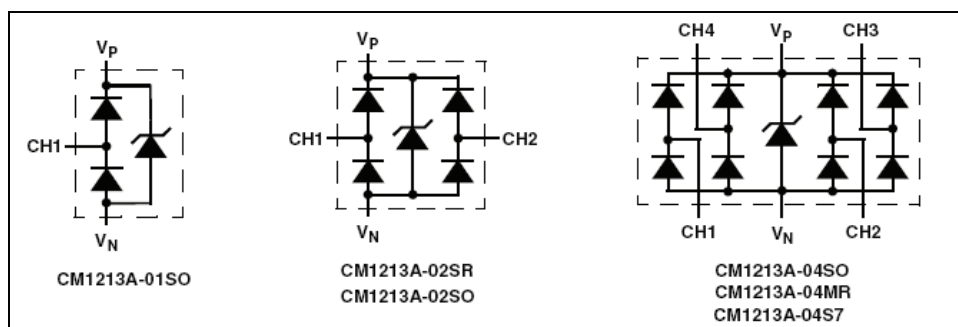
Features

- One, two, and four channels of ESD protection
Note: For 6- and 8-channel devices, see the CM1213 datasheet.
- Provides ESD protection to IEC61000-4-2 Level 4
 - $\pm 8\text{kV}$ contact discharge
- Low channel input capacitance of 0.85pF typical
- Minimal capacitance change with temperature and voltage
- Channel input capacitance matching of 0.02pF typical is ideal for differential signals
- Zener diode protects supply rail and eliminates the need for external by-pass capacitors
- Each I/O pin can withstand over 1000 ESD strikes*
- Available in SOT, SC70, and MSOP RoHS-compliant, lead-free packages

Applications

- USB2.0 ports at 480Mbps in desktop PCs, notebooks and peripherals
- IEEE1394 Firewire® ports at 400Mbps / 800Mbps
- DVI ports, HDMI ports in notebooks, set top boxes, digital TVs, LCD displays
- Serial ATA ports in desktop PCs and hard disk drives
- PCI Express ports
- General purpose high-speed data line ESD protection

Block Diagram



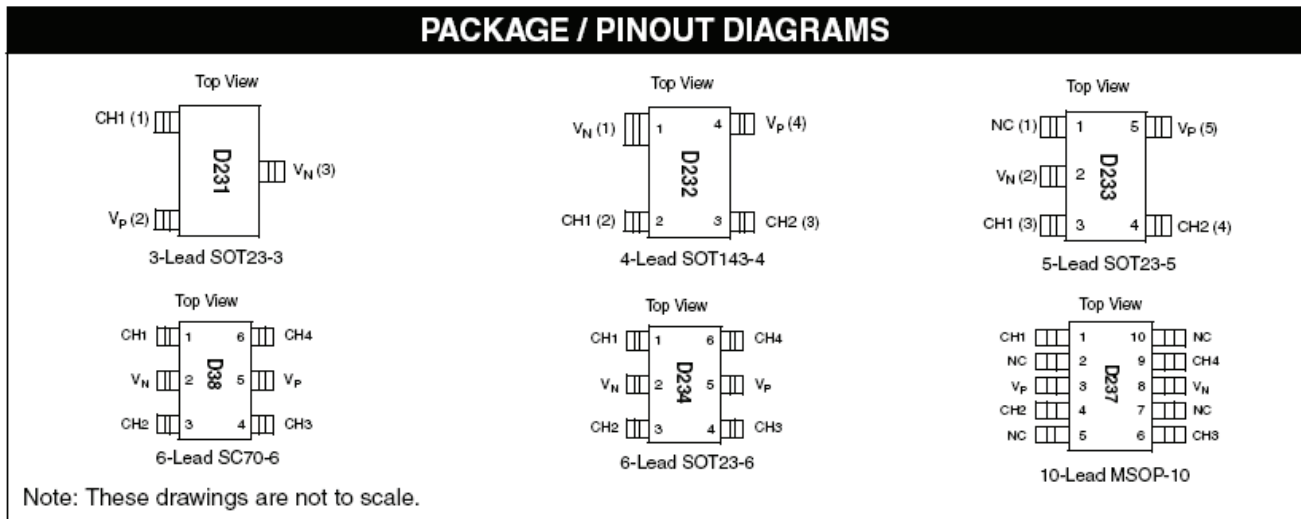
Product Description

The CM1213A family of diode arrays has been designed to provide ESD protection for electronic components or subsystems requiring minimal capacitive loading. These devices are ideal for protecting systems with high data and clock rates or for circuits requiring low capacitive loading. Each ESD channel consists of a pair of diodes in series which steer the positive or negative ESD current pulse to either the positive (V_P) or negative (V_N) supply rail. A Zener diode is embedded between V_P and V_N , offering two advantages. First, it protects the V_{CC} rail against ESD strikes, and second, it eliminates the need for a bypass capacitor that would otherwise be needed for absorbing positive ESD strikes to ground. The CM1213A will protect against ESD pulses up to 8kV per the IEC 61000-4-2 standard.

These devices are particularly well-suited for protecting systems using high-speed ports such as USB 2.0, IEEE1394 (Firewire®, iLink™), Serial ATA, DVI, HDMI and corresponding ports in removable storage, digital camcorders, DVD-RW drives and other applications where extremely low loading capacitance with ESD protection are required in a small package footprint.

The CM1213A family of devices is available with RoHS-compliant, lead-free finishing.

Package/Pinout Diagrams



Pin Descriptions

1-CHANNEL, 3-LEAD SOT23-3 PACKAGE (CM1213A-01SO)			
PIN	NAME	TYPE	DESCRIPTION
1	CH1	I/O	ESD Channel
2	V _p	PWR	Positive voltage supply rail
3	V _n	GND	Negative voltage supply rail

2-CHANNEL, 4-LEAD SOT143-4 PACKAGE (CM1213A-02SR)			
PIN	NAME	TYPE	DESCRIPTION
1	V _n	GND	Negative voltage supply rail
2	CH1	I/O	ESD Channel
3	CH2	I/O	ESD Channel
4	V _p	PWR	Positive voltage supply rail

2-CHANNEL, 5-LEAD SOT23-5 PACKAGE (CM1213A-02SO)			
PIN	NAME	TYPE	DESCRIPTION
1	NC		No Connect
2	V _n	GND	Negative voltage supply rail
3	CH1	I/O	ESD Channel
4	CH2	I/O	ESD Channel
5	V _p	PWR	Positive voltage supply rail

4-CH, 6-LEAD SOT23-6 (CM1213A-04SO) AND SC70-6 (CM1213A-04S7)			
PIN	NAME	TYPE	DESCRIPTION
1	CH1	I/O	ESD Channel
2	V _n	GND	Negative voltage supply rail
3	CH2	I/O	ESD Channel
4	CH3	I/O	ESD Channel
5	V _p	PWR	Positive voltage supply rail
6	CH4	I/O	ESD Channel

4-CHANNEL, 10-LEAD MSOP-10 PACKAGE (CM1213A04MR)			
PIN	NAME	TYPE	DESCRIPTION
1	CH1	I/O	ESD Channel
2	NC		No Connect
3	V _p	PWR	Positive voltage supply rail
4	CH2	I/O	ESD Channel
5	NC		No Connect
6	CH3	I/O	ESD Channel
7	NC		No Connect
8	V _n	GND	Negative voltage supply rail
9	CH4	I/O	ESD Channel
10	NC		No Connect

CM1213A

Ordering Information

PART NUMBERING INFORMATION				
# of Channels	Leads	Package	Lead-free Finish	
			Ordering Part Number ¹	Part Marking
1	3	SOT23-3	CM1213A-01SO	D231
2	4	SOT143-4	CM1213A-02SR	D232
2	5	SOT23-5	CM1213A-02SO	D233
4	6	SOT23-6	CM1213A-04SO	D234
4	6	SC70-6	CM1213A-04S7	D38
4	10	MSOP-10	CM1213A-04MR	D237

Note 1: Parts are shipped in Tape and Reel form unless otherwise specified.

Specifications

ABSOLUTE MAXIMUM RATINGS		
PARAMETER	RATING	UNITS
Operating Supply Voltage ($V_p - V_N$)	6.0	V
Operating Temperature Range	-40 to +85	°C
Storage Temperature Range	-65 to +150	°C
DC Voltage at any channel input	($V_N - 0.5$) to ($V_p + 0.5$)	V

STANDARD OPERATING CONDITIONS		
PARAMETER	RATING	UNITS
Operating Temperature Range	-40 to +85	°C
Package Power Rating		
SOT23-3, SOT143-4, SOT23-5, SOT23-6, and SC70-6 Packages	225	mW
MSOP-10 Package	400	mW

ELECTRICAL OPERATING CHARACTERISTICS (SEE NOTE 1)

SYMBOL	PARAMETER	CONDITIONS	MIN	TYP	MAX	UNITS
V_P	Operating Supply Voltage (V_P-V_N)			3.3	5.5	V
I_P	Operating Supply Current	$(V_P-V_N)=3.3V$			8.0	μA
V_F	Diode Forward Voltage Top Diode Bottom Diode	$I_F = 8mA; T_A=25^\circ C$	0.60 0.60	0.80 0.80	0.95 0.95	V V
I_{LEAK}	Channel Leakage Current	$T_A=25^\circ C; V_P=5V, V_N=0V$		0.1	1.0	μA
C_{IN}	Channel Input Capacitance	At 1 MHz, $V_P=3.3V, V_N=0V, V_{IN}=1.65V$; Note 2		0.85	1.2	pF
ΔC_{IN}	Channel Input Capacitance Matching	At 1 MHz, $V_P=3.3V, V_N=0V, V_{IN}=1.65V$; Note 2		0.02		pF
V_{ESD}	ESD Protection - Peak Discharge Voltage at any channel input, in system Contact discharge per IEC 61000-4-2 standard	$T_A=25^\circ C$; Notes 2, 3, and 4	8			kV
V_{CL}	Channel Clamp Voltage Positive Transients Negative Transients	$T_A=25^\circ C, I_{PP} = 1A, t_p = 8/20\mu S$; Notes 2 and 4		+10 -1.7		V V
R_{DYN}	Dynamic Resistance Positive Transients Negative Transients	$I_{PP} = 1A, t_p = 8/20\mu S$ Any I/O pin to Ground; Notes 2 and 4		0.9 0.5		Ω Ω

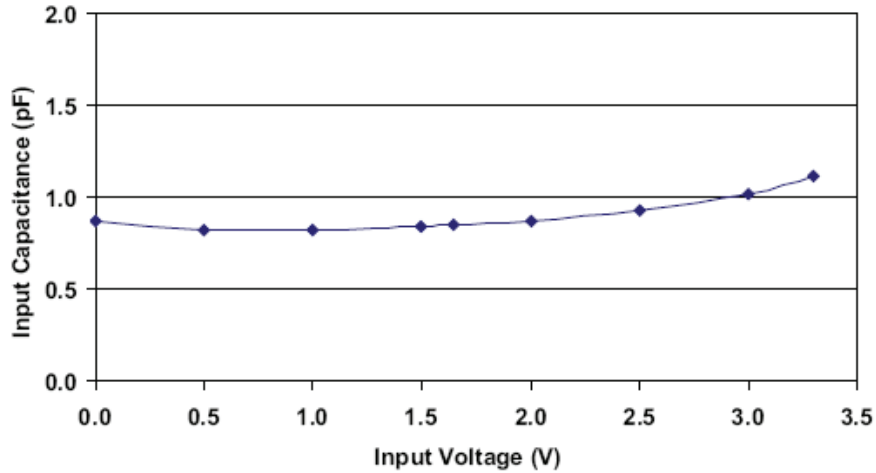
Note 1: All parameters specified at $T_A = -40^\circ C$ to $+85^\circ C$ unless otherwise noted.

Note 2: Standard IEC 61000-4-2 with $C_{Discharge} = 150pF, R_{Discharge} = 330\Omega, V_P = 3.3V, V_N$ grounded.

Note 3: These measurements performed with no external capacitor on V_P (V_P floating).

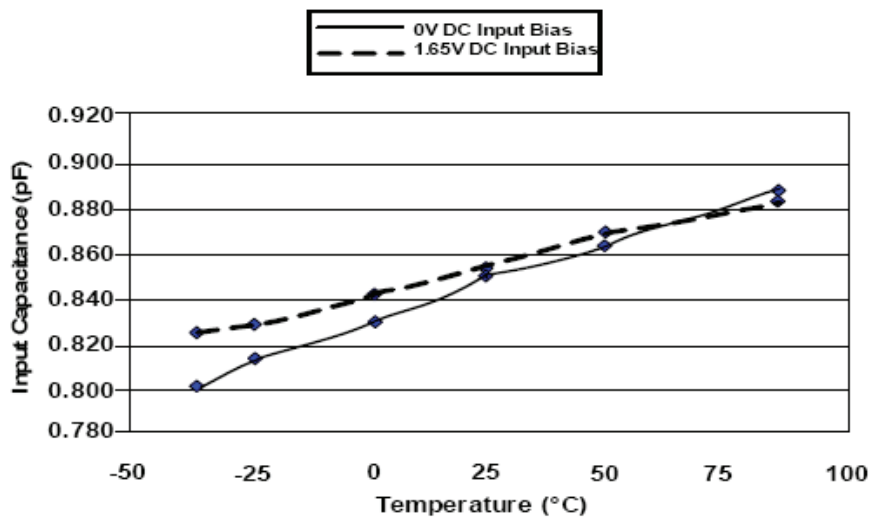
Performance Information

Input Channel Capacitance Performance Curves



Typical Variation of C_{IN} vs. V_{IN}

($f=1\text{MHz}$, $V_P = 3.3\text{V}$, $V_N = 0\text{V}$, $0.1\ \mu\text{F}$ chip capacitor between V_P and V_N , 25°C)



Typical Variation of C_{IN} vs. Temp

($f=1\text{MHz}$, $V_{IN}=30\text{mV}$, $V_P = 3.3\text{V}$, $V_N = 0\text{V}$, $0.1\ \mu\text{F}$ chip capacitor between V_P and V_N)

Performance Information (cont'd)

Typical Filter Performance (nominal conditions unless specified otherwise, 50 Ohm Environment)

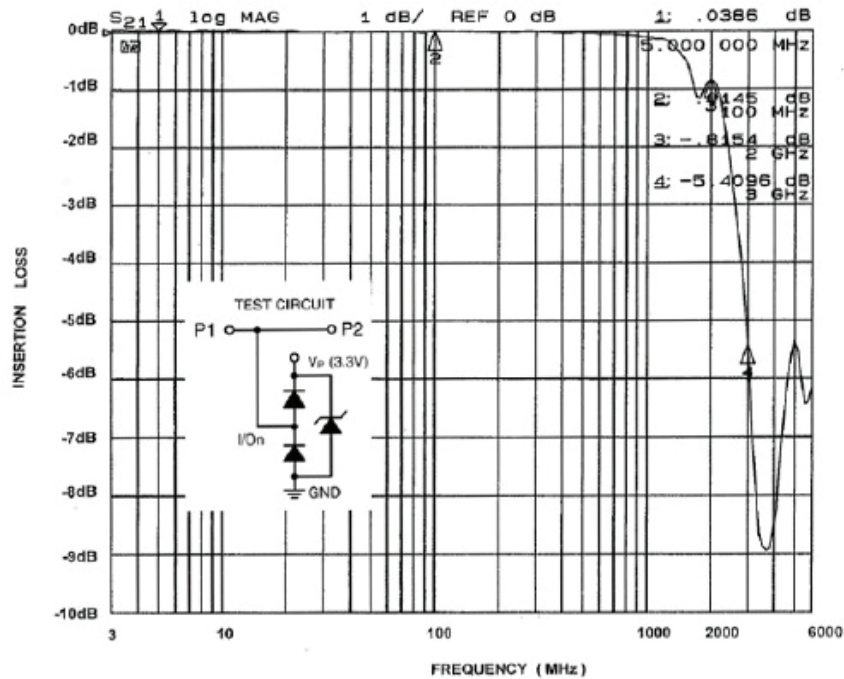


Figure 1. Insertion Loss (S21) VS. Frequency (0V DC Bias, $V_p=3.3V$)

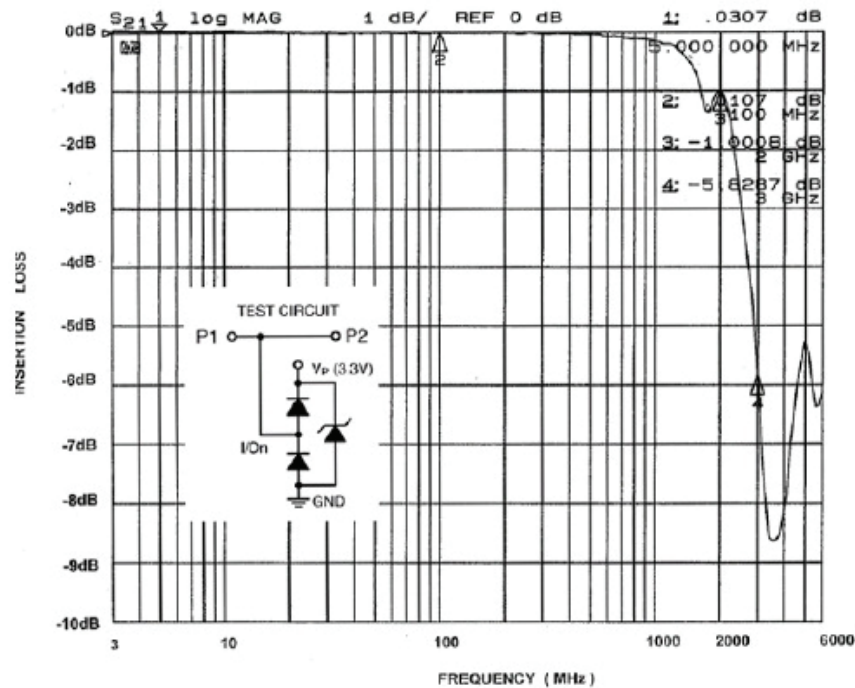


Figure 2. Insertion Loss (S21) VS. Frequency (2.5V DC Bias, $V_p=3.3V$)

Application Information

Design Considerations

In order to realize the maximum protection against ESD pulses, care must be taken in the PCB layout to minimize parasitic series inductances on the Supply/Ground rails as well as the signal trace segment between the signal input (typically a connector) and the ESD protection device. Refer to [Error! Reference source not found.](#), which illustrates an example of a positive ESD pulse striking an input channel. The parasitic series inductance back to the power supply is represented by L_1 and L_2 . The voltage V_{CL} on the line being protected is:

$$V_{CL} = \text{Fwd voltage drop of } D_1 + V_{SUPPLY} + L_1 \times d(I_{ESD}) / dt + L_2 \times d(I_{ESD}) / dt$$

where I_{ESD} is the ESD current pulse, and V_{SUPPLY} is the positive supply voltage.

An ESD current pulse can rise from zero to its peak value in a very short time. As an example, a level 4 contact discharge per the IEC61000-4-2 standard results in a current pulse that rises from zero to 30 Amps in 1ns. Here $d(I_{ESD})/dt$ can be approximated by $\Delta I_{ESD}/\Delta t$, or $30/(1 \times 10^{-9})$. So just 10nH of series inductance (L_1 and L_2 combined) will lead to a 300V increment in V_{CL} !

Similarly for negative ESD pulses, parasitic series inductance from the V_N pin to the ground rail will lead to drastically increased negative voltage on the line being protected.

The CM1213A has an integrated Zener diode between V_P and V_N . This greatly reduces the effect of supply rail inductance L_2 on V_{CL} by clamping V_P at the breakdown voltage of the Zener diode. However, for the lowest possible V_{CL} , especially when V_P is biased at a voltage significantly below the Zener breakdown voltage, it is recommended that a 0.22μF ceramic chip capacitor be connected between V_P and the ground plane.

As a general rule, the ESD Protection Array should be located as close as possible to the point of entry of expected electrostatic discharges. The power supply bypass capacitor mentioned above should be as close to the V_P pin of the Protection Array as possible, with minimum PCB trace lengths to the power supply, ground planes and between the signal input and the ESD device to minimize stray series inductance.

Additional Information

See also California Micro Devices Application Note AP209, "Design Considerations for ESD Protection," in the Applications section at www.calmicro.com.

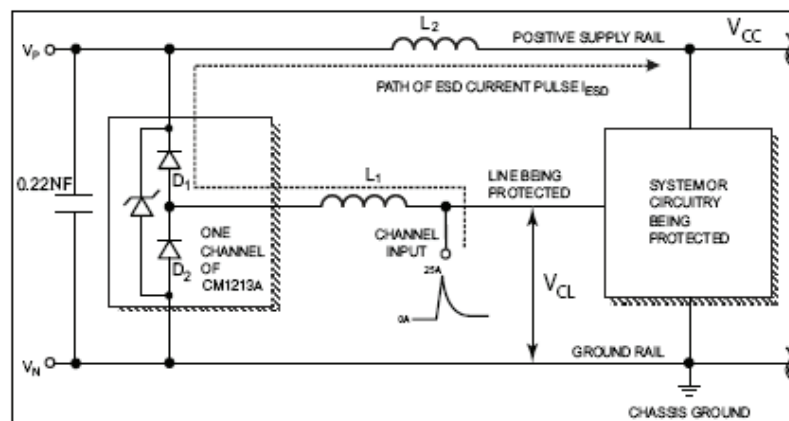


Figure 3. Application of Positive ESD Pulse Between Input Channel and Ground

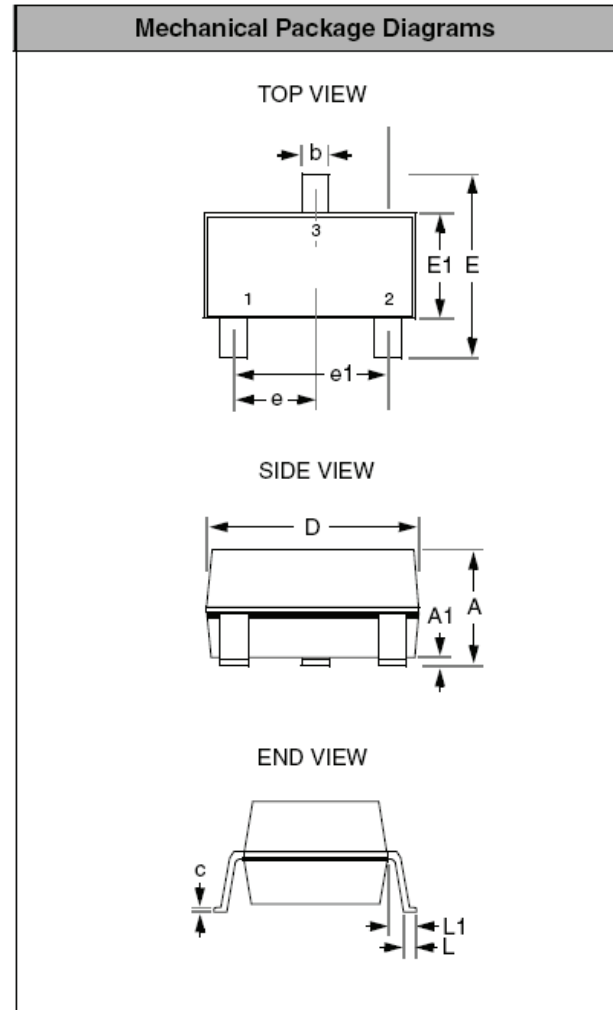
Mechanical Details

The CM1213A is available in SOT23-3, SOT143-4, and SOT23-5, SOT23-6, SC70-6, and MSOP-10 lead-free packages.

SOT23-3 Mechanical Specifications, 3 pin

The CM1213A-01SO is supplied in a 3-pin SOT23 package. Dimensions are presented below.

PACKAGE DIMENSIONS				
Package	SOT23-3 (JEDEC name is TO-236)			
JEDEC No.	TO-236 (Var. AB)			
Pins/Leads	3			
Dimensions	Millimeters		Inches	
	Min	Max	Min	Max
A	0.89	1.12	0.0350	0.0441
A1	0.01	0.10	0.0004	0.0039
b	0.30	0.50	0.0118	0.0197
c	0.08	0.20	0.0031	0.0079
D	2.80	3.04	0.1102	0.1197
E	2.10	2.64	0.0827	0.1039
E1	1.20	1.40	0.0472	0.0551
e	0.95 BSC		0.0374 BSC	
e1	1.90 BSC		0.0748 BSC	
L	0.40	0.60	0.0157	0.0236
L1	0.54 REF		0.0213 REF	
# per tape and reel	3000 pieces			
Controlling dimension: millimeters				

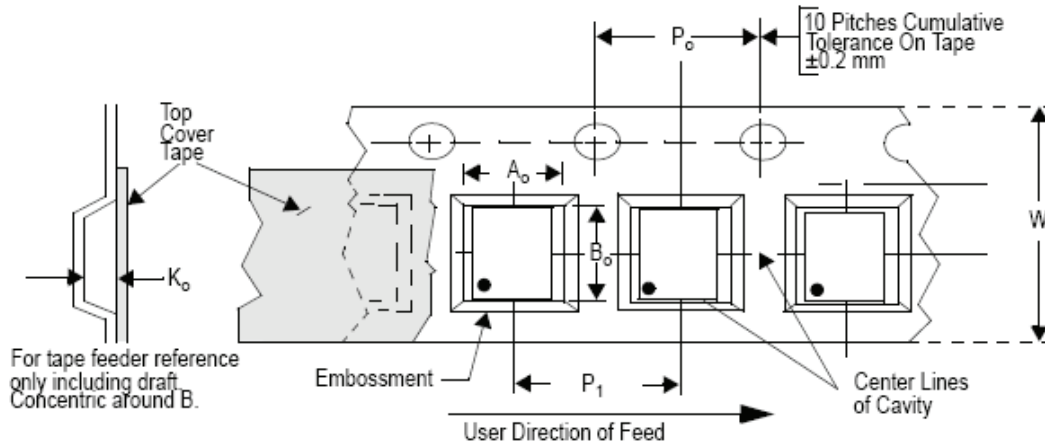


Package Dimensions for SOT23-3

CM1213A

Tape and Reel Specifications

PART NUMBER	PACKAGE SIZE (mm)	POCKET SIZE (mm) $B_o \times A_o \times K_o$	TAPE WIDTH W	REEL DIAMETER	QTY PER REEL	P_o	P_1
CM1213A-01SO	2.92 X 2.37 X 1.01	2.77 X 3.15 X 1.22	8mm	178mm (7")	3000	4mm	4mm

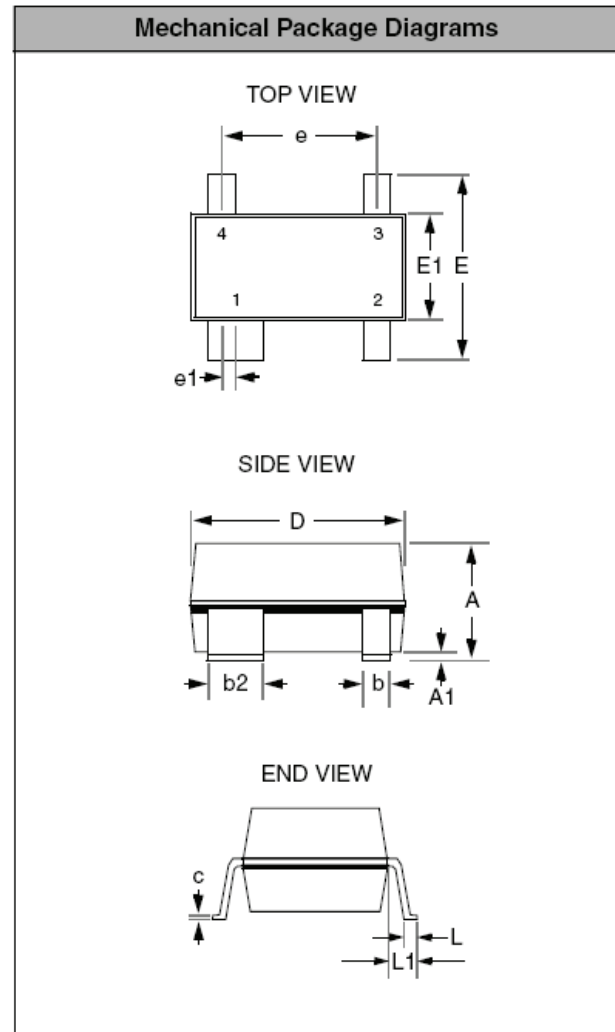


Mechanical Details (Cont'd)

SOT143-4 Mechanical Specifications, 4 pin

The CM1213A-02SR is packaged in a 4-pin SOT143 package. Dimensions are presented below.

PACKAGE DIMENSIONS				
Package	SOT143			
Pins	4			
Dimensions	Millimeters		Inches	
	Min	Max	Min	Max
A	0.80	1.22	0.031	0.048
A1	0.05	0.15	0.002	0.006
b	0.30	0.50	0.012	0.019
b2	0.76	0.89	0.030	0.035
c	0.08	0.20	0.003	0.008
D	2.80	3.04	0.110	0.119
E	2.10	2.64	0.082	0.103
E1	1.20	1.40	0.047	0.055
e	1.92 BSC		0.075 BSC	
e1	0.20 BSC		0.008 BSC	
L	0.4	0.6	0.016	0.024
L1	0.54 REF		0.021 REF	
# per tape and reel	3000 pieces			
Controlling dimension: millimeters				

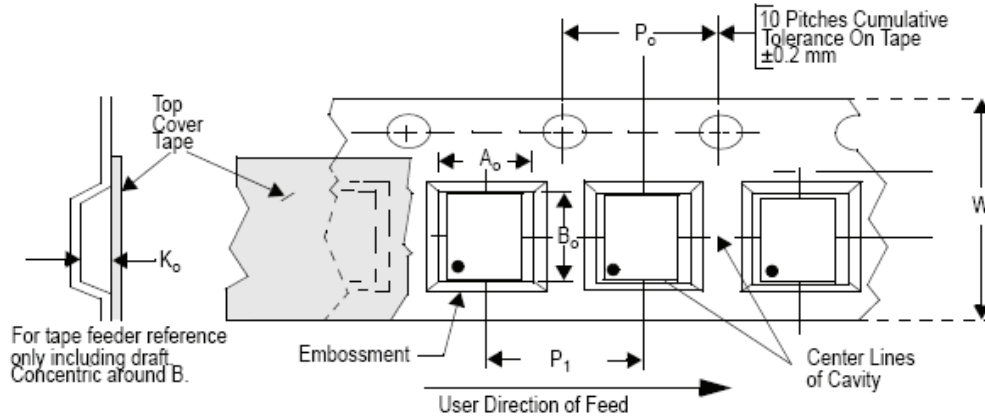


Package Dimensions for SOT143

CM1213A

Tape and Reel Specifications

PART NUMBER	PACKAGE SIZE (mm)	POCKET SIZE (mm) $B_o \times A_o \times K_o$	TAPE WIDTH W	REEL DIAMETER	QTY PER REEL	P_o	P_1
CM1213A-02SR	2.92 X 2.37 X 1.01	2.60 X 3.15 X 1.20	8mm	178mm (7")	3000	4mm	4mm



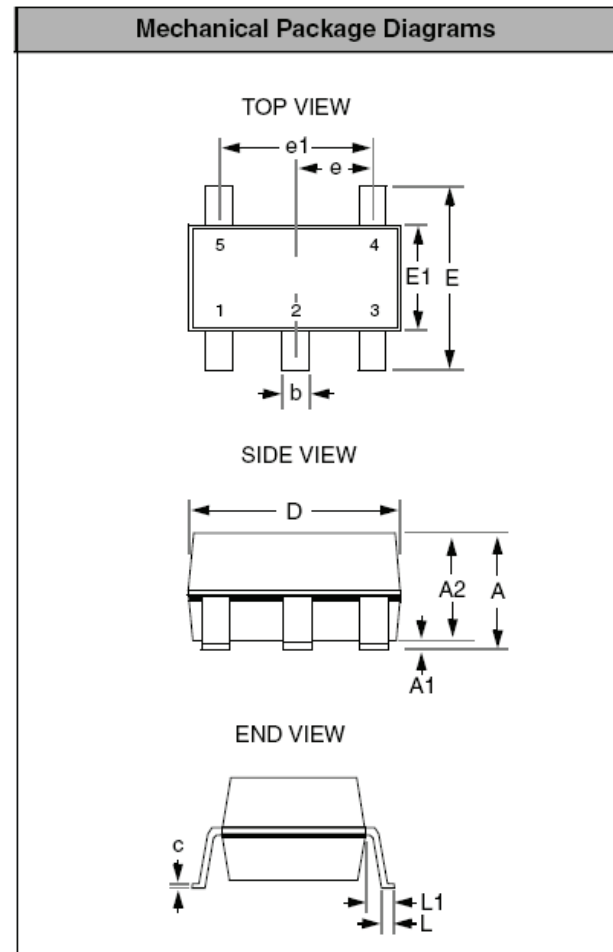
Mechanical Details (cont'd)

SOT23-5 Mechanical Specifications, 5 pin

The CM1213A-02SO is supplied in a 5-pin SOT23 package. Dimensions are presented below.

PACKAGE DIMENSIONS						
Package	SOT23-5					
JEDEC No.	MO-178 (Var. AA)					
Leads	5					
Dim.	Millimeters			Inches		
	Min	Nom	Max	Min	Nom	Max
A	1.14	1.24	1.35	0.045	0.049	0.053
A1	0.05	0.10	0.15	0.002	0.004	0.006
A2	1.09	1.14	1.19	0.043	0.045	0.047
b	0.30	0.35	0.40	0.012	0.014	0.016
c	0.08	0.15	0.22	0.003	0.006	0.009
D	2.87	2.92	2.97	0.113	0.115	0.117
E	2.67	2.79	2.92	0.105	0.110	0.115
E1	1.55	1.63	1.68	0.061	0.064	0.066
e	0.95 REF			0.020 REF		
e1	1.90 REF			0.075 REF		
L	0.35	0.40	0.45	0.014	0.016	0.018
L1	0.53	0.58	0.64	0.021	0.023	0.025
# per tape and reel	3000 pieces					
Controlling dimension: millimeters						

*

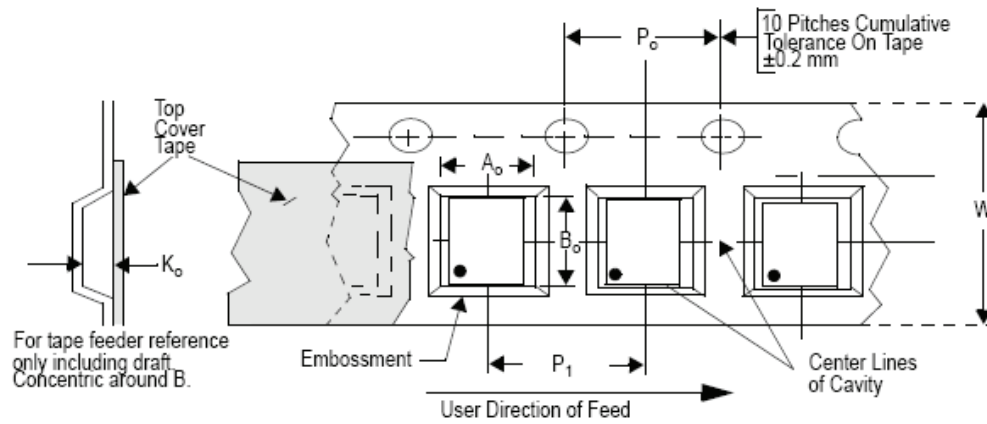


Package Dimensions for SOT23-5

CM1213A

Tape and Reel Specifications

PART NUMBER	PACKAGE SIZE (mm)	POCKET SIZE (mm) $B_0 \times A_0 \times K_0$	TAPE WIDTH W	REEL DIAMETER	QTY PER REEL	P_0	P_1
CM1213A-02SO	2.92 X 2.79 X 1.24	3.20 X 3.20 X 1.40	8mm	178mm (7")	3000	4mm	4mm

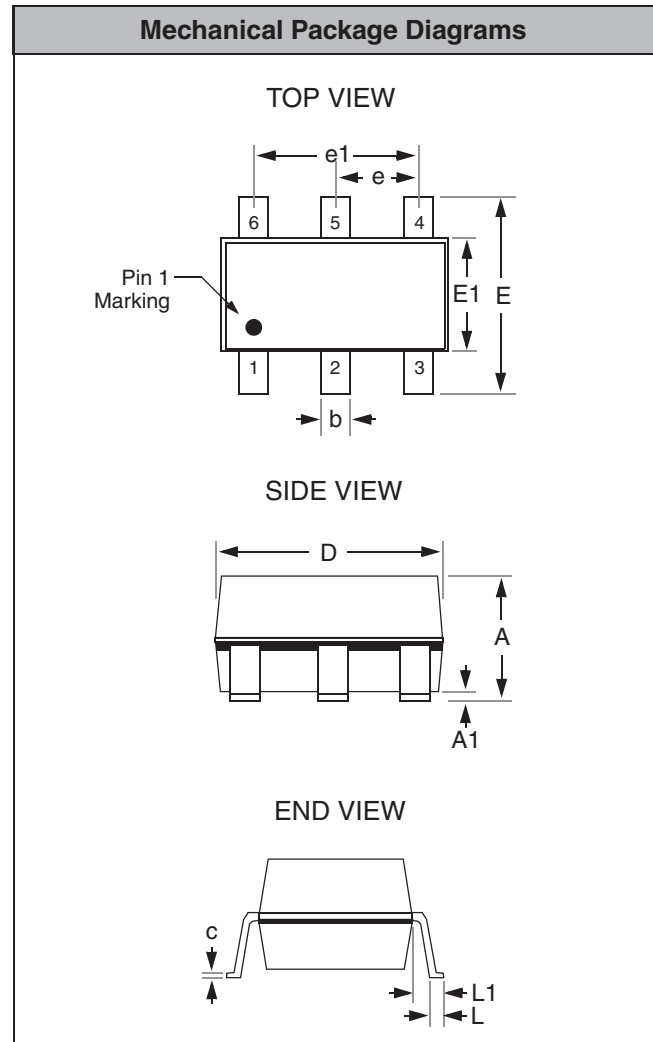


Mechanical Details (cont'd)

SOT23-6 Mechanical Specifications, 6 pin

The CM1213A-04SO is supplied in a 6-pin SOT23 package. Dimensions are presented below.

PACKAGE DIMENSIONS				
Package	SOT23-6			
JEDEC No.	MO-178 (Var. AB)			
Pins/Leads	6			
Dimensions	Millimeters		Inches	
	Min	Max	Min	Max
A	--	1.45	--	0.0571
A1	0.00	0.15	0.0000	0.0059
b	0.30	0.50	0.0118	0.0197
c	0.08	0.22	0.0031	0.0087
D	2.75	3.05	0.1083	0.1201
E	2.60	3.00	0.1024	0.1181
E1	1.45	1.75	0.0571	0.0689
e	0.95 BSC		0.0374 BSC	
e1	1.90 BSC		0.0748 BSC	
L	0.30	0.60	0.0118	0.0236
L1	0.60 REF		0.0236REF	
# per tape and reel	3000 pieces			
Controlling dimension: millimeters				

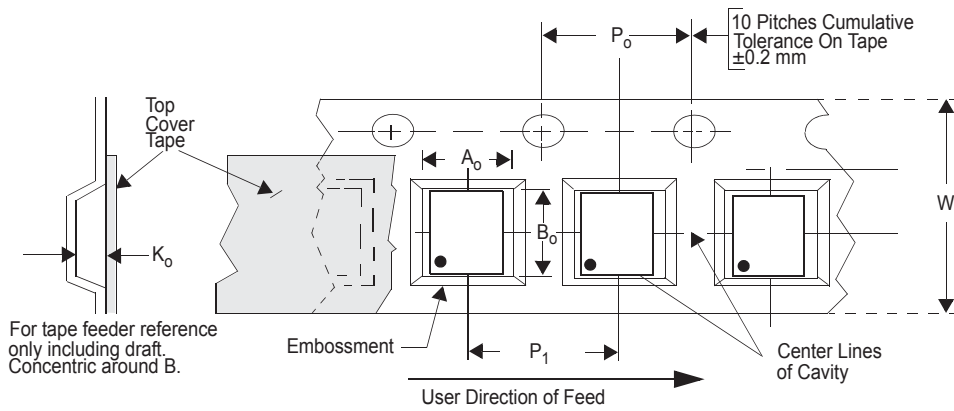


Package Dimensions for SOT23-6

CM1213A

Tape and Reel Specifications

PART NUMBER	PACKAGE SIZE (mm)	POCKET SIZE (mm) $B_0 \times A_0 \times K_0$	TAPE WIDTH W	REEL DIAMETER	QTY PER REEL	P_0	P_1
CM1213A-04SO	2.90 X 2.80 X 1.45	2.60 X 3.15 X 1.20	8mm	178mm (7")	3000	4mm	4mm

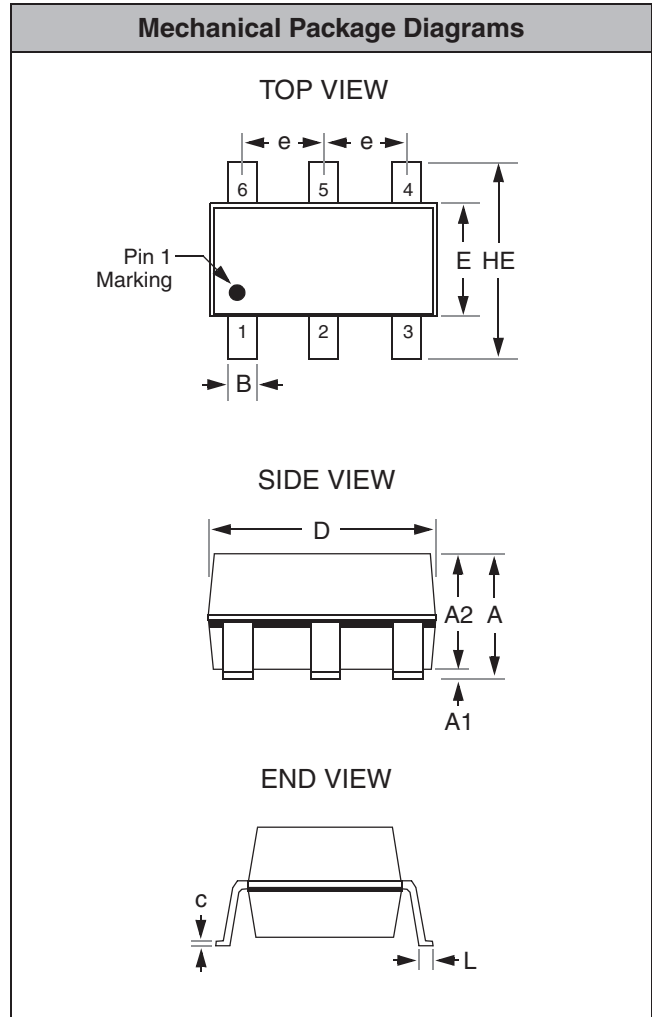


Mechanical Details (cont'd)

SC70-6 Mechanical Specifications, 6 pin

The CM1213A-04S7 is supplied in a 6-pin SC70 package. Dimensions are presented below.

PACKAGE DIMENSIONS		
Package	SC70-6 (JEDEC name is MO-203 Issue A)	
Pins	6	
Dimensions	Millimeters	
	Min	Max
A	0.80	1.10
A1	0.00	0.10
A2	0.70	1.00
B	0.15	0.30
c	0.08	0.25
D	1.85	2.25
E	1.15	1.35
e	0.65 BSC	
HE	2.00	2.40
L	0.26	0.46
# per tape and reel	3000 pieces	
Controlling dimension: millimeters		

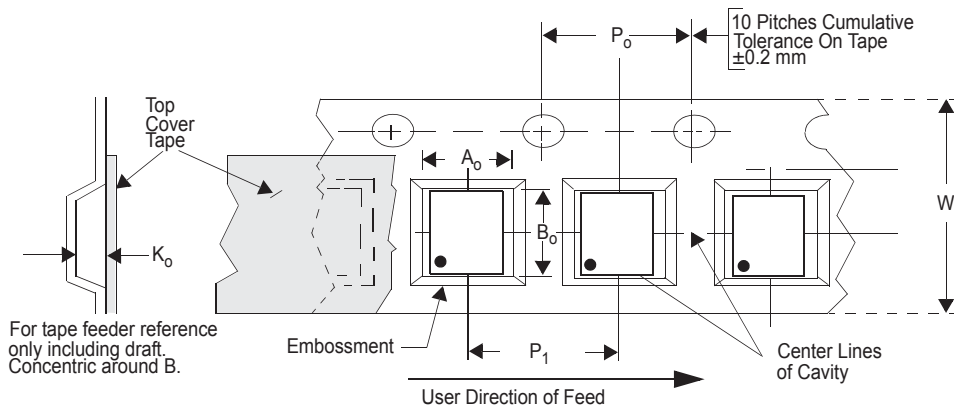


Package Dimensions for SC70-6

CM1213A

Tape and Reel Specifications

PART NUMBER	PACKAGE SIZE (mm)	POCKET SIZE (mm) $B_0 \times A_0 \times K_0$	TAPE WIDTH W	REEL DIAMETER	QTY PER REEL	P_0	P_1
CM1213A-04S7	2.05 X 1.25 X 0.95	2.40 X 2.25 X 1.20	8mm	178mm (7")	3000	4mm	4mm

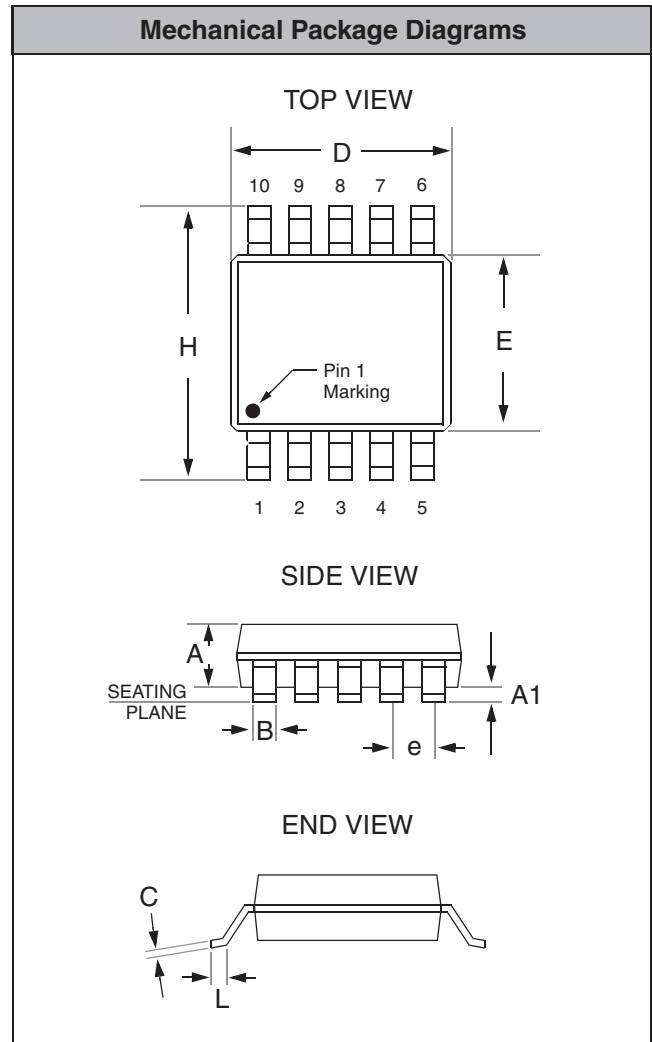


Mechanical Details (cont'd)

MSOP-10 Mechanical Specifications, 10 pin

The CM1213A-04MR is supplied in a 10-lead MSOP package. Dimensions are presented below.

PACKAGE DIMENSIONS				
Package	MSOP			
Pins	10			
Dimensions	Millimeters		Inches	
	Min	Max	Min	Max
A	0.75	0.95	0.028	0.038
A1	0.05	0.15	0.002	0.006
B	0.17	0.27	0.007	0.013
C	0.13	0.23	0.005	0.009
D	2.90	3.10	0.114	0.122
E	2.90	3.10	0.114	0.122
e	0.50 BSC		0.0196 BSC	
H	4.90 BSC		0.193 BSC	
L	0.40	0.70	0.0137	0.029
# per tape and reel	4000			
Controlling dimension: millimeters				

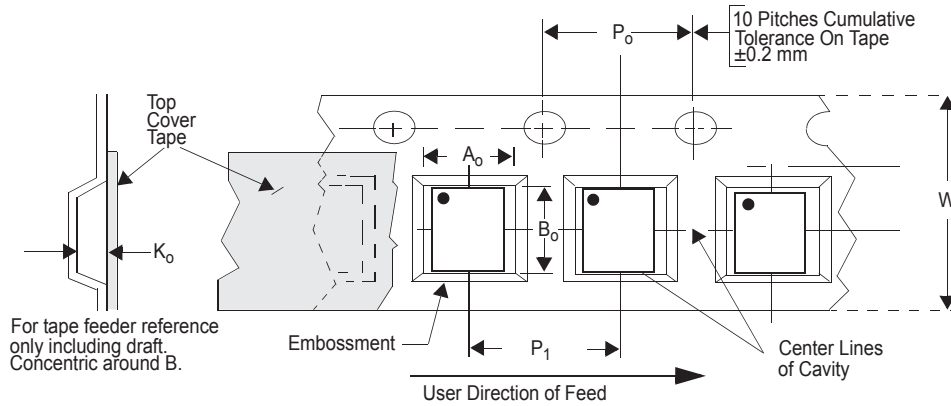


Package Dimensions for MSOP-10

CM1213A

Tape and Reel Specifications

PART NUMBER	PACKAGE SIZE (mm)	POCKET SIZE (mm) $B_0 \times A_0 \times K_0$	TAPE WIDTH W	REEL DIAMETER	QTY PER REEL	P_0	P_1
CM1213A-04MR	3.00 X 3.00 X 0.85	3.30 X 5.30 X 1.30	8mm	330mm (13")	4000	4mm	8mm



ON Semiconductor and  are registered trademarks of Semiconductor Components Industries, LLC (SCILLC). SCILLC reserves the right to make changes without further notice to any products herein. SCILLC makes no warranty, representation or guarantee regarding the suitability of its products for any particular purpose, nor does SCILLC assume any liability arising out of the application or use of any product or circuit, and specifically disclaims any and all liability, including without limitation special, consequential or incidental damages. "Typical" parameters which may be provided in SCILLC data sheets and/or specifications can and do vary in different applications and actual performance may vary over time. All operating parameters, including "Typicals" must be validated for each customer application by customer's technical experts. SCILLC does not convey any license under its patent rights nor the rights of others. SCILLC products are not designed, intended, or authorized for use as components in systems intended for surgical implant into the body, or other applications intended to support or sustain life, or for any other application in which the failure of the SCILLC product could create a situation where personal injury or death may occur. Should Buyer purchase or use SCILLC products for any such unintended or unauthorized application, Buyer shall indemnify and hold SCILLC and its officers, employees, subsidiaries, affiliates, and distributors harmless against all claims, costs, damages, and expenses, and reasonable attorney fees arising out of, directly or indirectly, any claim of personal injury or death associated with such unintended or unauthorized use, even if such claim alleges that SCILLC was negligent regarding the design or manufacture of the part. SCILLC is an Equal Opportunity/Affirmative Action Employer. This literature is subject to all applicable copyright laws and is not for resale in any manner.

PUBLICATION ORDERING INFORMATION

LITERATURE FULFILLMENT:

Literature Distribution Center for ON Semiconductor
P.O. Box 5163, Denver, Colorado 80217 USA
 Phone: **303-675-2175 or 800-344-3860 Toll Free USA/Canada**
 Fax: **303-675-2176 or 800-344-3867 Toll Free USA/Canada**
 Email: **orderlit@onsemi.com**

N. American Technical Support: **800-282-9855**
Toll Free USA/Canada
 Europe, Middle East and Africa Technical Support:
Phone: 421 33 790 2910
 Japan Customer Focus Center
Phone: 81-3-5773-3850

ON Semiconductor Website: www.onsemi.com
Order Literature: <http://www.onsemi.com/orderlit>
For additional information, please contact your local Sales Representative