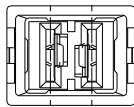
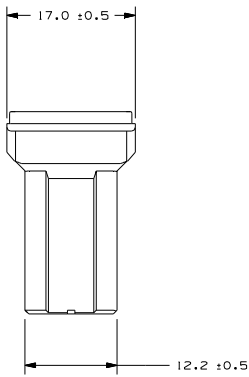
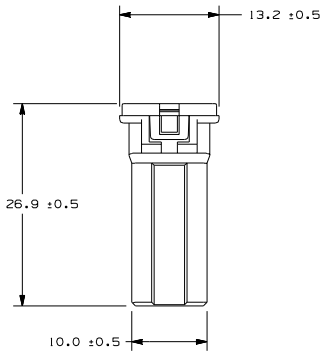


PART NUMBER	CURRENT RATING (A)	BODY COLOR	RATED VOLTAGE
0293820.MXJ	20	LIGHT BLUE	32V
0293830.MXJ	30	PINK	
0293840.MXJ	40	GREEN	
0293850.MXJ	50	RED	
0293860.MXJ	60	YELLOW	
0293870.MXJ	70	BROWN	
0293880.MXJ	80	BLACK	



5.5 ± 0.2

% OF RATED CURRENT	OPENING TIME	
	MIN	MAX
110%	14,400 SEC.	-
200%	5 SEC.	100 SEC.
350%	0.2 SEC.	7 SEC.
600%	0.04 SEC.	1 SEC.

METRIC

CAD GENERATED DRAWING - NO PENCIL CHANGES ALLOWED

NO	COMPONENT NO	DESCRIPTION	QTY/M	U/M
BILL OF MATERIAL				
COPIES TO				
1	9	18	FINISH	
2	10	19	SCALE	
3	12	20	DATE	03/29/10
4	13	21	DRW	GMB
5	14	23	CHK	SUPER DR
6	15	33	DATE	
7	16	43	APPD	FINISH GOOD WT
8	17	53	DATE	GRAMS/PIECE
TOLERANCES UNLESS OTHERWISE SPECIFIED (REF. 150.2768-MK1)				
DIMENSION				
0.5 - 0.3				
0.6 - 0.5				
1.25 - 1.0				
1.50 - 1.2				
2.0 - 1.5				
2.5 - 2.0				
3.0 - 2.5				
4.0 - 3.0				
5.0 - 4.0				
6.0 - 5.0				
7.0 - 6.0				
8.0 - 7.0				
9.0 - 8.0				
10.0 - 9.0				
11.0 - 10.0				
12.0 - 11.0				
13.0 - 12.0				
14.0 - 13.0				
15.0 - 14.0				
16.0 - 15.0				
17.0 - 16.0				
18.0 - 17.0				
19.0 - 18.0				
20.0 - 19.0				
21.0 - 20.0				
22.0 - 21.0				
23.0 - 22.0				
24.0 - 23.0				
25.0 - 24.0				
26.0 - 25.0				
27.0 - 26.0				
28.0 - 27.0				
29.0 - 28.0				
30.0 - 29.0				
31.0 - 30.0				
32.0 - 31.0				
33.0 - 32.0				
34.0 - 33.0				
35.0 - 34.0				
36.0 - 35.0				
37.0 - 36.0				
38.0 - 37.0				
39.0 - 38.0				
40.0 - 39.0				
41.0 - 40.0				
42.0 - 41.0				
43.0 - 42.0				
44.0 - 43.0				
45.0 - 44.0				
46.0 - 45.0				
47.0 - 46.0				
48.0 - 47.0				
49.0 - 48.0				
50.0 - 49.0				
51.0 - 50.0				
52.0 - 51.0				
53.0 - 52.0				
54.0 - 53.0				
55.0 - 54.0				
56.0 - 55.0				
57.0 - 56.0				
58.0 - 57.0				
59.0 - 58.0				
60.0 - 59.0				
61.0 - 60.0				
62.0 - 61.0				
63.0 - 62.0				
64.0 - 63.0				
65.0 - 64.0				
66.0 - 65.0				
67.0 - 66.0				
68.0 - 67.0				
69.0 - 68.0				
70.0 - 69.0				
71.0 - 70.0				
72.0 - 71.0				
73.0 - 72.0				
74.0 - 73.0				
75.0 - 74.0				
76.0 - 75.0				
77.0 - 76.0				
78.0 - 77.0				
79.0 - 78.0				
80.0 - 79.0				
81.0 - 80.0				
82.0 - 81.0				
83.0 - 82.0				
84.0 - 83.0				
85.0 - 84.0				
86.0 - 85.0				
87.0 - 86.0				
88.0 - 87.0				
89.0 - 88.0				
90.0 - 89.0				
91.0 - 90.0				
92.0 - 91.0				
93.0 - 92.0				
94.0 - 93.0				
95.0 - 94.0				
96.0 - 95.0				
97.0 - 96.0				
98.0 - 97.0				
99.0 - 98.0				
100.0 - 99.0				

LTR	DATE	REVISION	CHK	APD
A	03/29/10	SA201-RELEASE	GMB	
B	05/25/10	SA296 RELEASE 40A	GMB	

TITLE	REVISION DRWG. NO.	OUTLINE
SLOW BLOW FUSE AF TYPE	B	OL-0293800.MXJ

UNLESS OTHERWISE SPECIFIED, DIMENSIONS ARE IN MILLIMETERS.
DIMENSIONS IN BRACKETS ARE IN INCHES.
UNLESS OTHERWISE SPECIFIED, DIMENSIONS DO NOT INCLUDE PLATING.

© DENOTES CRITICAL CHARACTERISTICS.
CPK DENOTES CPK DIMENSIONS. -MINIMUM CPK VALUE
DENOTES A CHARACTERISTIC THAT PROVIDES AN INDICATION OF PROCESS CAPABILITY AND TRACKING TO BE DEFINED IN LITTELFUSE INSPECTION INSTRUCTIONS
CP DENOTES CP DIMENSIONS. -MINIMUM CP VALUE MUST BE WITHIN THE DIMENSIONAL LIMITATIONS SPECIFIED. DIMENSIONS IN LIT LOCATED TO ALLOW FOR MAXIMUM TOOL LIFE.

30° ANGLE
MIN. 0.5mm

30° ANGLE
MIN. 0.5mm



LITTELFUSE
DES PLAINES, ILLINOIS 60016