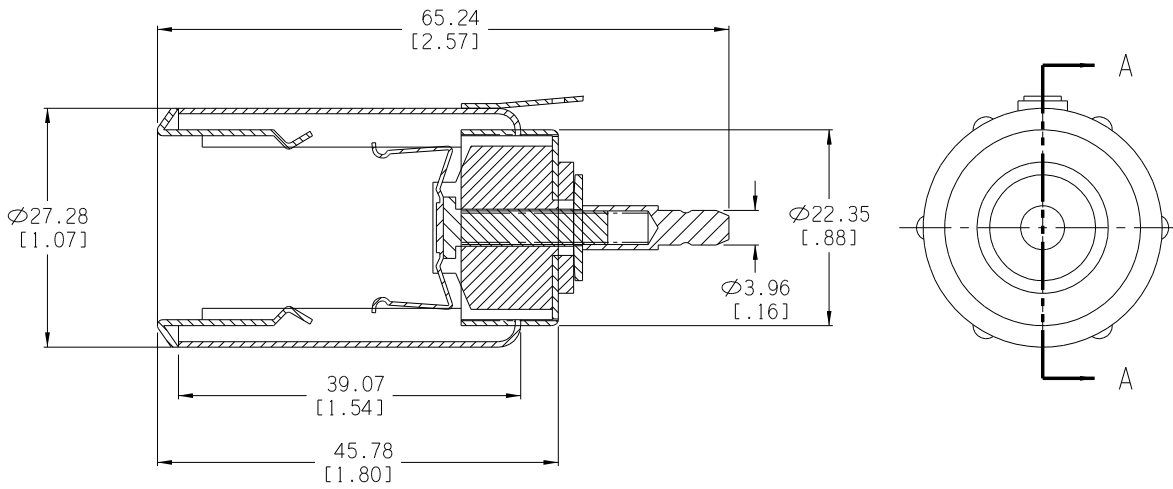



PANEL CUT-OUT

Date	SYM	REVISION RECORD	AUTH	DR	CK
02/15/03	A	Added panel cut-out information	T.B.	B.S.	
04/03/04	B	Added Electrical Rating	T.B.	B.S.	
5/20/06	C	Added "ROHS COMPLIANT"	T.B.	B.S.	



ELECTRICAL RATING: 12V, 10AMP  
ROHS COMPLIANT

Tolerance (Inches)	 Memory Protection Devices, Inc 200 Broad Hollow Road, Farmingdale, New York 11735		
Decimal ±.5 (.020)	Scale	Drawn By B.S. Approved By T.B.	
Fractional ± .8 (.030)	Title CIGARETTE SOCKET, METAL BAKELITE INSULATOR, INSERT LOCK TYPE		
Angular ± 3°	Date 5/20/06	Drawing Number ZA2050	