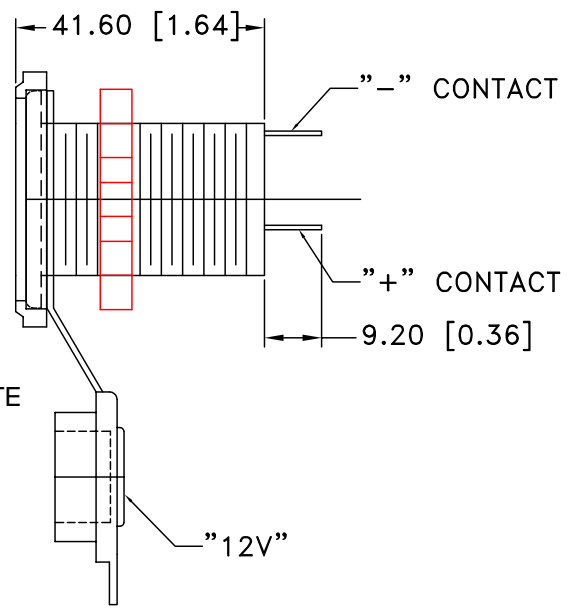
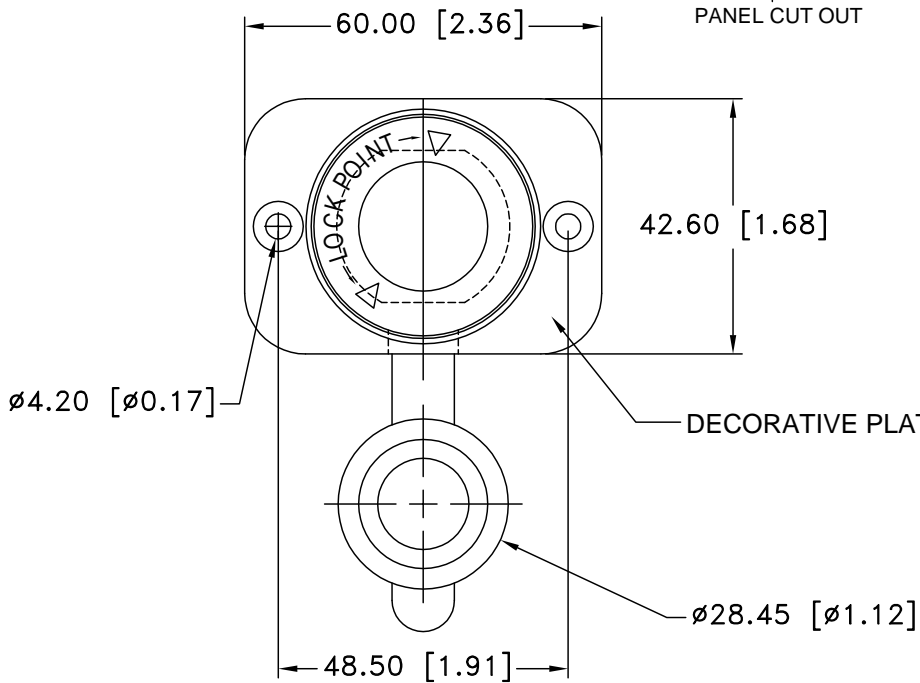
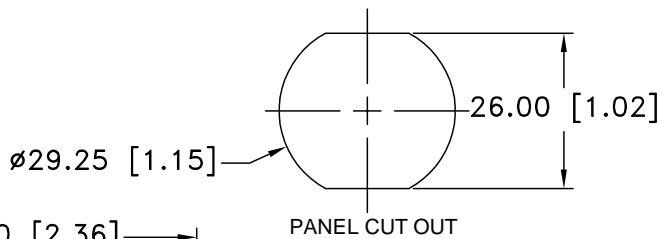



Date	SYM	REVISION RECORD	AUTH	DR.	CK.



MATERIAL SPECIFICATION:
 COVER: PVC
 BODY: NYLON #66
 CONTACTS: BRASS, NICKEL PLATED
 NUT: NYLON #66
 BASE: NYLON #66
 DECORATIVE PLATE: NYLON #66
 RATING: 12V, 15AMP

Tolerance (Except as noted)	 Memory Protection Devices, Inc 200 Broad Hollow Road, Farmingdale, New York 11735		
decimal ± .5 (.020)	Scale	Drawn By B.S.	
Fractional ± .8 (.030)	Title	12V CIGARETTE SOCKET, 15AMP	
Angular ± 3°	Date	Drawing Number	
	6/17/06	AS-212C	