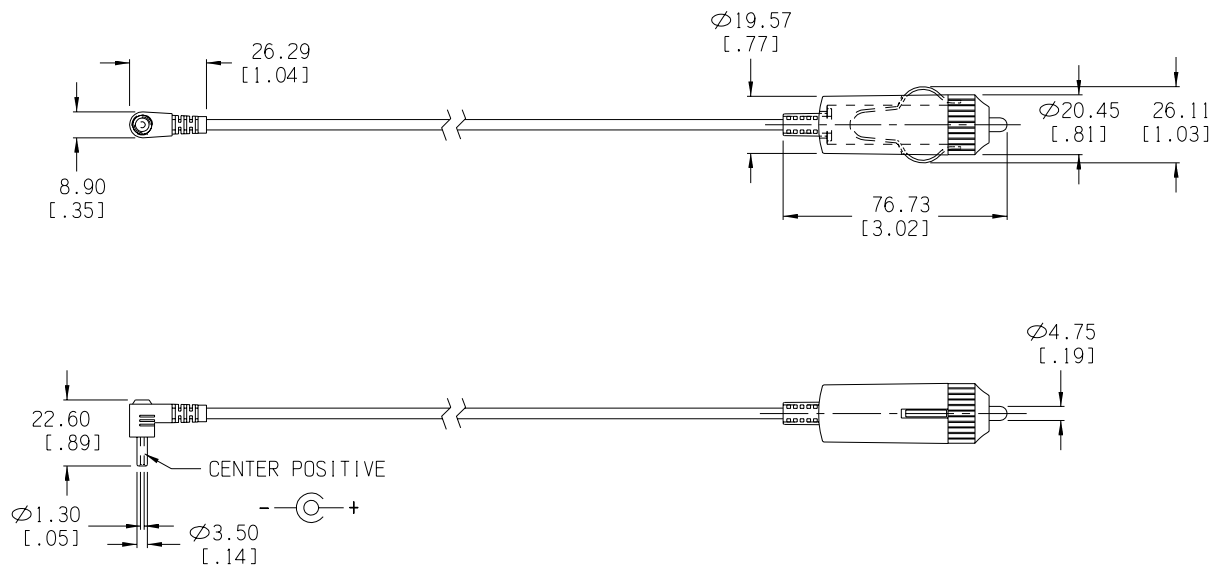


Date	SYM	REVISION RECORD	AUTH	DR	CK
02/15/03	A	400mm LONG.(0.12/10 x 2) x 1C , OD3.5 WAS 400mm LONG 0.12/7 x 1C + 0.12/31 OD2.5	T.B.	B.S.	



BILL OF MATERIAL

PART #	QTY.	DESCRIPTION
ZA1030	1	CIGARETTE PLUG FOR 21 OR 22.2mm DIA. SOCKETS
PLUG	1	DC MOLDED PLUG, 1.3mm x 3.5mm, RIGHT ANGLE
CORD	1	400mm LONG.(0.12/10 x 2) x 1C , OD3.5

Tolerance (Inches)



Memory Protection Devices, Inc

200 Broad Hollow Road, Farmingdale, New York 11735

Decimal

Scale

Drawn By B.S.

±.5 (.020)

Approved By T.B.

Fractional

Title

AUTO POWER CORD SET, RIGHT ANGLE 1.3mm DC PLUG

± .8 (.030)

Angular

Date

Drawing Number

± 3°

02/15/03

ZA5036