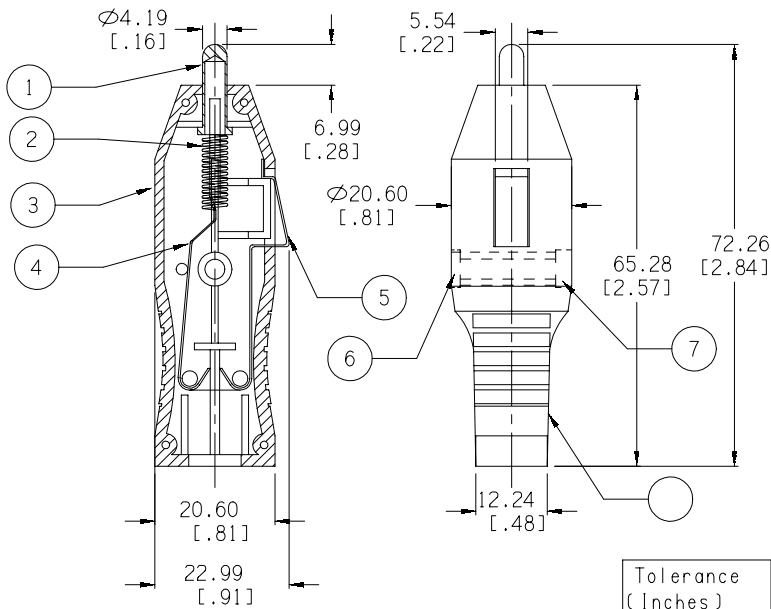



ITEM NO.	PART NAME	MATL. SPECIFICATION	CAT. NO.	APPROVED NO.
1	TIP CONTACT (+) TERMINAL	BRASS, NICKLE PLTD.		
2	SPRING	SW70C, ZINC PLTD.		
3	BODY, HALF	ABS, BLACK		
4	CONTACT	BRASS, NICKLE PLTD.		
5	(-) TERMINAL	BRASS, NICKLE PLTD.		
6	PHILIPS HEAD SCREW	STEEL, NICKLE PLTD.		
7	NUT	STEEL, NICKLE PLTD.		
8	BODY, HALF	ABS, BLACK		

Date	SYM	REVISION RECORD	AUTH	DR	CK.



Tolerance (Inches)	 Memory Protection Devices, Inc 200 Broad Hollow Road, Farmingdale, New York 11735		
Decimal $\pm .5$ (.020)	Scale	Drawn By B.S.	
Fractional $\pm .8$ (.030)	Title CIGARETTE PLUG FOR 21mm DIA. SOCKETS		
Angular $\pm 3^\circ$	Date 02/20/01	Drawing Number ZA1060	
		Approved By T.B.	