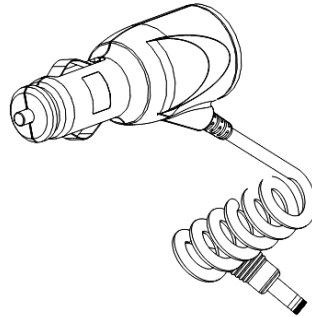




11W Car Charging Adapter for Portable Electronics CLM10D is Compliant with US and EU Vehicle Standards



Features

- High Efficiency
- Robust Design
- Compliant with EU Vehicle Standards
- Battery Charging

Applications

- Portable Electronics
- Mobile Phones

Safety Approvals

- CE
- FCC
- C-Tick

Mechanical Characteristics

- Length: 85.28mm (3.36in)
- Diameter (at tip): 19.3mm (0.76in)
- Diameter (at cord): 30.48mm (1.2in)

Output Specifications

Model	DC Output Voltage	Load		Ripple P-P (max.)
		Min.	Max.	
CLM10D-050(A)-R	5.15A	0A	2.0A	100mVp-p

Phihong is not responsible for any error, and reserves the right to make changes without notice. Please visit our website at www.phihong.com for the most up-to-date specifications and contact information.

Input:

AC Input Voltage Range

10 to 30V DC (12 Volts Nominal)

Input Current

≤30mA at no load (12V Input)

≤1.40A at no load (10V Input)

≤1.44A at no load (30V Input)

Output:

Output Power

11W

Efficiency

80% minimum at maximum load and 12V

Rise time:

<50mSec.

Input Over-Voltage

Fuse will blow with no damage to unit

Output Over-Voltage

By Zener clamping

Reverse Polarity Protection

Fuse will blow with no damage to unit

Short-Circuit Protection

Current limiting without damage to unit

Environmental:

Temperature

Operation -20 to 60°C

Non-operation -40 to 85°C

Operating Humidity 0 to 95%

MTBF

100K Hours Minimum at full load and ambient 25°C

DC Output Connector

2.1mm x 5.5mm x 9mm Center Positive Barrel

DC Cord

1.61 Meters (extended)

Dimension Diagram Unit: mm

