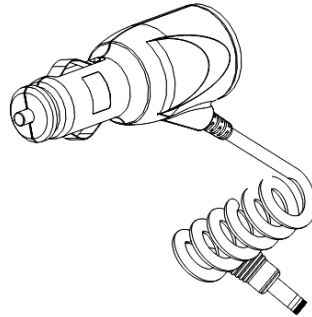




5W Car Charging Adapter for Portable Electronics CLA05D is Compliant with US and EU Vehicle Standards



Features

- High Efficiency
- Robust Design
- Compliant with EU Vehicle Standards
- Battery Charging

Applications

- Portable Electronics
- Mobile Phones

Safety Approvals

- CE
- cUL/UL
- C-Tick

Mechanical Characteristics

- Length: 85.28mm (3.36in)
- Diameter (at tip): 19.3mm (0.76in)
- Diameter (at cord): 30.48mm (1.2in)

Output Specifications

Model	DC Output Voltage	Load		Ripple P-P (max.)
		Min.	Max.	
CLA05D-050A-R	5.0A	0A	1.0A	100mVp-p

Phihong is not responsible for any error, and reserves the right to make changes without notice. Please visit our website at www.phihong.com for the most up-to-date specifications and contact information.

Input:

AC Input Voltage Range

10 to 30V DC (12 Volts Nominal)

Input Current

≤20mA at no load (12V Input)

≤0.65A at no load (10V Input)

≤0.27A at no load (30V Input)

Output:

Output Power

5W

Efficiency

75% minimum at maximum load and 12V

Rise time:

<30mSec.

Input Over-Voltage

Fuse will blow with no damage to unit

Output Over-Voltage

By Zener clamping

Reverse Polarity Protection

Fuse will blow with no damage to unit

Short-Circuit Protection

Current limiting without damage to unit

Environmental:

Temperature

Operation -20 to 60°C

Non-operation -40 to 80°C

Operating Humidity 0 to 95%

MTBF

100K Hours Minimum at full load and ambient 25°C

DC Output Connector

2.1mm x 5.5mm x 9mm Center Positive Barrel

DC Cord

1.75 Meters (extended)

Dimension Diagram Unit: mm

