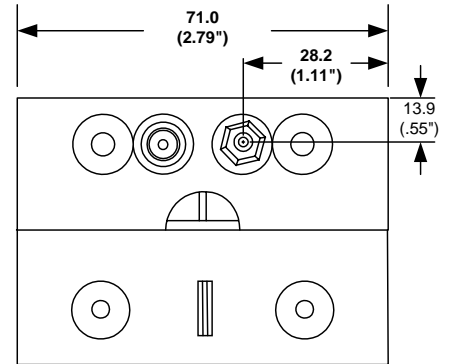


DATE	SYM	REVISION RECORD	AUTH	DR.	CK.



9 VOLT TYPE SNAPS SHOWN ABOVE


ORDERING CODE **BH428D**

SPECIFICATIONS:

- Plastic material - polypropylene
- Springs - nickel plated spring steel
- Wire - 152.4 mm Ref.Long 26 AWG, UL1007, CSA - TR-64, 300V, 80°C.
- Rivets - Brass, nickel plated
- 9 Volts Snaps - Brass, nickel plated

SOLDER LUGS	= L
(6") WIRE LEADS	= W
9VOLT TYPE SNAPS	= SF
BUMP PLATES	= B

Note: Dimensions in mm. (inches)

TOLERANCES (EXCEPT AS NOTED)		 Memory Protection Devices, Inc. 200 Broad Hollow Road, Farmingdale, New York 11735	
DECIMAL	+ .5 (.020")		
FRACTIONAL	+ .8 (.030")	APPROVED BY	
ANGULAR	+ 3°	TITLE	
DATE	09/05/2000	DRAWING NUMBER	
		EIGHT "D" CELL HOLDER BH428DSF	