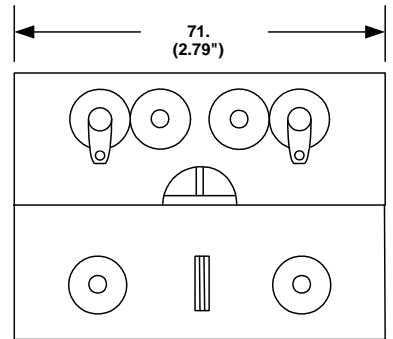


SOLDER LUGS SHOWN ABOVE

DATE	SYM	REVISION RECORD	AUTH	DR.	CK.
7/08/06	A	ADDED "ROHS COMPLIANT"	T.B.	B.S.	

ORDERING CODE BH428D


SOLDER LUGS	= L
( 6" ) WIRE LEADS	= W
9VOLT TYPE SNAPS	= SF
BUMP PLATES	= B



**SPECIFICATIONS:**

Plastic material - polypropylene  
 Flammability rating-UL94 HB, UL file no. E216959  
 Temperature Range: -10°C to +100°C  
 Springs - nickel plated spring steel  
 Wire - 152.4 mm Ref.Long 26 AWG, UL1007, CSA - TR-64, 300V, 80° C.  
 Rivets - Brass, nickel plated  
 9 Volts Snaps - Brass, nickel plated  
 Contact Resistance: Under 50mΩ for +/- contacts per EIA-540J000  
 ROHS COMPLIANT

Note: Dimensions in mm. ( inches )

TOLERANCES (EXCEPT AS NOTED)	 <b>Memory Protection Devices, Inc.</b> 200 Broad Hollow Road, Farmingdale, New York 11735		
DECIMAL + .5 (.020") - .5 (.020")	SCALE	DRAWN BY S.C.	
FRACTIONAL + .8 (.030") - .8 (.030")	APPROVED BY		
ANGULAR + 3° - 3°	DATE 7/08/2006	DRAWING NUMBER BH428DL	
TITLE <b>EIGHT "D" CELL HOLDER</b>			