

9 VOLT TYPE SNAPS SHOWN ABOVE

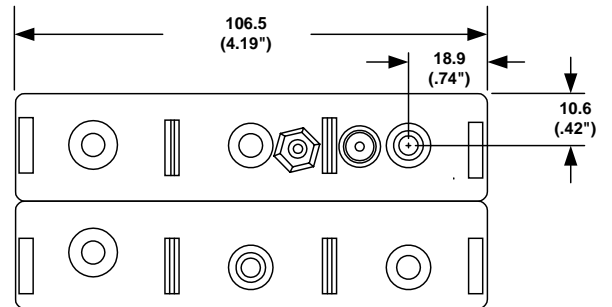
ORDERING CODE BH36D

| | |
|------------------|------|
| SOLDER LUGS | = L |
| (6") WIRE LEADS | = W |
| 9VOLT TYPE SNAPS | = SF |


SPECIFICATIONS:

- Plastic material - polypropylene
- Springs - nickel plated spring steel
- Wire - 152.4 mm Ref. Long 26 AWG, UL1007, CSA - TR-64, 300V, 80°C.
- Rivets - Brass, nickel plated
- 9 Volts Snaps - Brass, nickel plated

| DATE | SYM | REVISION RECORD | AUTH | DR. | CK. |
|------|-----|-----------------|------|-----|-----|
| | | | | | |
| | | | | | |
| | | | | | |
| | | | | | |



Note: Dimensions in mm. (inches)

| | | | |
|------------------------------|--------------|--|--|
| TOLERANCES (EXCEPT AS NOTED) | |  Memory Protection Devices, Inc. 200 Broad Hollow Road, Farmingdale, New York 11735 | |
| DECIMAL | + .5 (.020") | | |
| FRACTIONAL | + .8 (.030") | APPROVED BY | |
| ANGULAR | + 3° | TITLE | |
| DATE | 09/06/2000 | DRAWING NUMBER | |
| | | SIX "D" CELL HOLDER BH36DSF | |