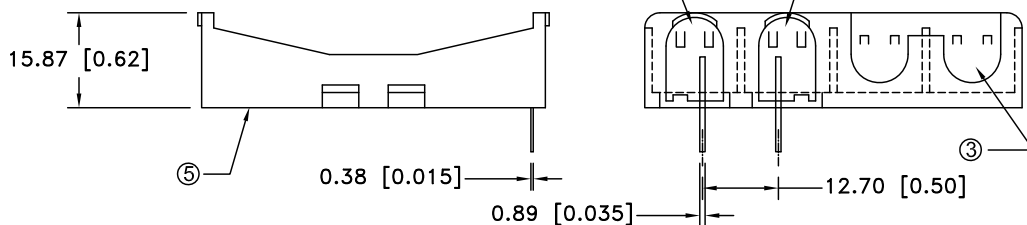
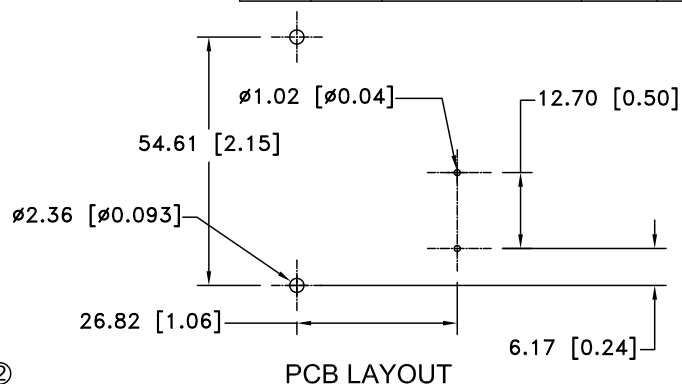
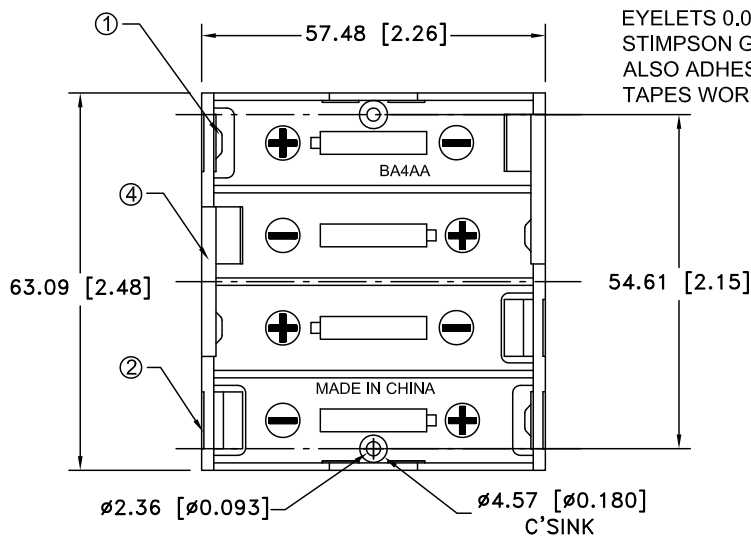



**MOUNTING INSTRUCTION:**  
 USE 2-56 MACHINE SCREWS OR  
 EYELETS 0.089" OD BY 0.15" FLANGE  
 STIMPSON GS-3 SERIES OR EQUIVALENT.  
 ALSO ADHESIVES AND DOUBLE SIDED  
 TAPES WORK WELL.

Date	SYM	REVISION RECORD	AUTH	DR.	CK.
10/02/04	A	55.88 was 54.61	T.B.	B.S.	
10/28/06	B	Added mounting instruction. Ø2.36 was 2.18. Ø4.57 was 4.70	T.B.	B.S.	
11/11/06	C	54.61 was 55.88	T.B.	B.S.	
10/09/09	D	Added specification.	T.B.	B.S.	



**SPECIFICATION:**  
 1. HOUSING : BLACK POLYPROPYLENE  
 FLAMMABILITY RATING -UL94-HB, UL FILE NO. E216959  
 TEMPERATURE RANGE: -10°C to +100°C  
 CONTACTS: NICKLE PLATED STAINLESS STEEL  
 CONTACT RESISTANCE: UNDER 50mΩ FOR +/-  
 CONTACTS PER EIA-540J000  
 ROHS COMPLIANT

ITEM NO.	PART NO.	MATL. SPECIFICATION	QTY.	Tolerance (Except as noted)	 <b>Memory Protection Devices, Inc</b> 200 Broad Hollow Road, Farmingdale, New York 11735	Scale	Drawn By B.S. Approved By T.B.
1	ABG-194	POSITIVE CONTACT, 302 STAINLESS STEEL, NICKLE PLTD.	2	decimal			
2	ABG-195	NEGATIVE CONTACT, 302 STAINLESS STEEL, NICKLE PLTD.	2	±.5 (.020)			
3	ABG-196-1	RIGHT NEG./POS. CONTACT, 302 STAINLESS STEEL, NICKLE PLTD.	1	Fractional			
4	ABG-196-2	LEFT NEG./POS. CONTACT, 302 STAINLESS STEEL, NICKLE PLTD.	1	± .8 (.030)			
5	ABG-187	BLACK POLYPROPYLENE HOLDER, UL94-HB	1	Angular	Title	FOUR "AA" CELL SPRINGLESS HOLDER	
				± 3°	Date	Drawing Number BA4AAPC	
					10/09/09		