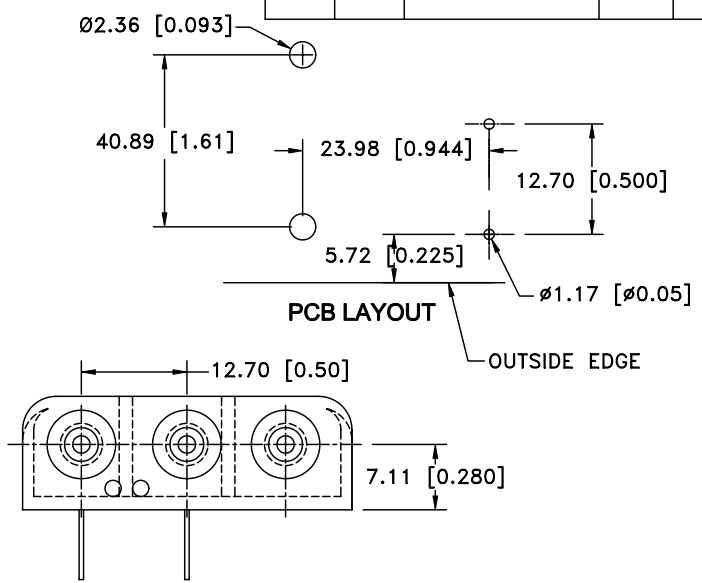



Date	SYM	REVISION RECORD	AUTH	DR.	CK.



NOTES:

MATERIAL:
 HOUSING : HIGH IMPACT NYLON 66, HALOGEN AND PHOSPHOR FREE
 UL94V-0, BLACK, UL FILE # E48285
 RIVETS: BRASS, NICKLE PLATED.
 SPRING: 302 STAINLESS STEEL, NICKLE PLATED.
 TERMINAL PLATES: BRASS, NICKLE PLATED
 PC PINS: ROLLED STEEL, NICKLE PLATED
 TEMPERATURE RANGE: -40°C TO +140°C
 RESISTANT TO SOLVENTS, COMMON OILS AND REFRIGERANTS

MOUNTING INSTRUCTION:
 USE 2-56 MACHINE SCREWS OR EYELETS 0.089" OD BY 0.15" FLANGE STIMPSON GS-3 SERIES OR EQUIVALENT. ALSO ADHESIVES AND DOUBLE SIDED TAPES WORK WELL.

Tolerance (Except as noted)	 Memory Protection Devices, Inc 200 Broad Hollow Road, Farmingdale, New York 11735	Scale	Drawn By B.S.
decimal ±.5 (.020)		Approved By T.B.	
Fractional ± .8 (.030)	Title FOUR "AAA" CELL HOLDER		
Angular ± 3°	Date 10/18/03	Drawing Number BH4AAAAPC	