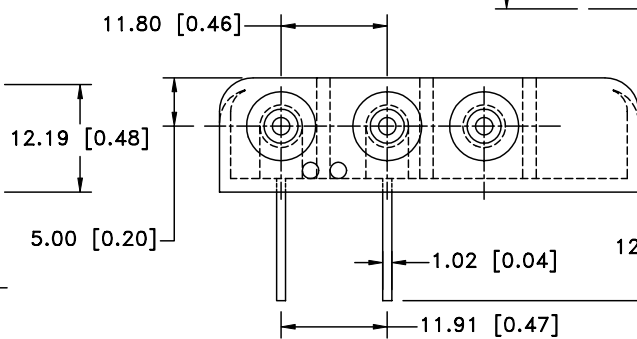
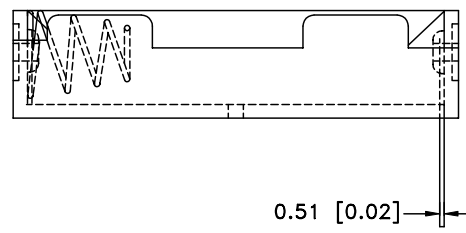
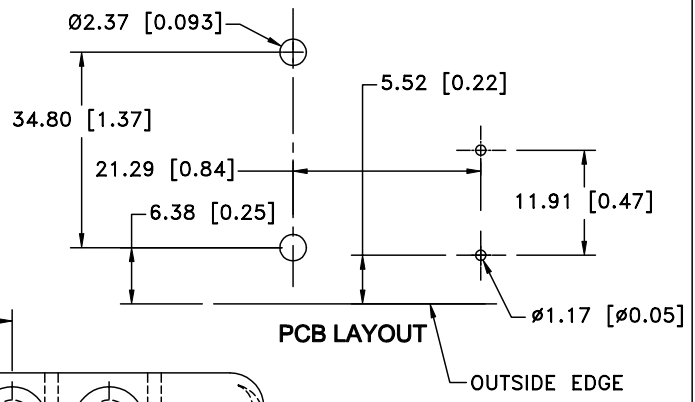



Date	SYM	REVISION RECORD	AUTH	DR.	CK.



NOTES:
1. MATERIAL:
 HOUSING : BLACK POLYPROPYLENE
 RIVETS: BRASS, NICKLE PLTD.
 SPRING: SPRING STEEL, NICKLE PLTD.
 CONTACTS: SPRING STEEL, NICKLE PLTD.

Tolerance (Except as noted)	 Memory Protection Devices, Inc 200 Broad Hollow Road, Farmingdale, New York 11735		
decimal ±.5 (.020)	Scale	Drawn By B.S.	
Fractional ± .8 (.030)	Title	Approved By T.B.	
Angular ± 3°	Date 08/01/01	Title FOUR "AAA" CELL HOLDER Drawing Number BC4AAAPC	