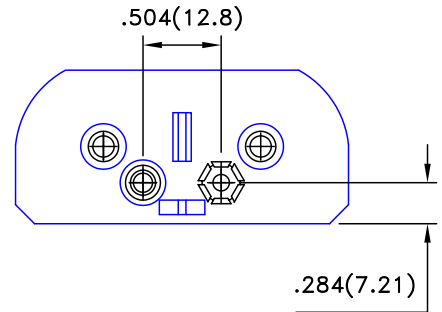
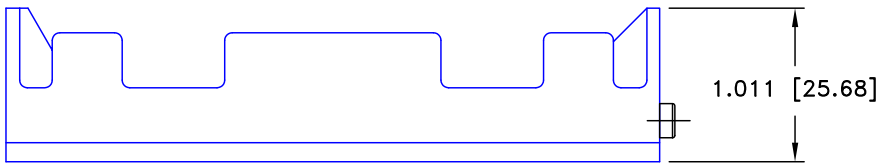
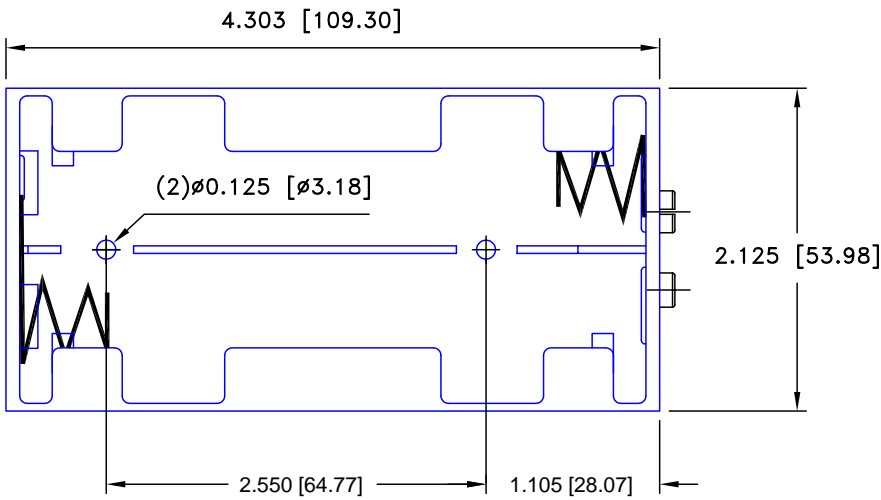


Date	SYM	REVISION RECORD	AUTH	DR.	CK.
4/22/06	A	Added "ROHS COMPLIANT"	T.B.	B.S.	
3/07/08	B	DIM. 2.550 WAS 2.567 DIM. 1.105 WAS 1.075.	T.B.	B.S.	



9 VOLT SNAPS TYPE SHOWN


ORDERING CODE BH24C

SPECIFICATION:

1. MATERIAL:

HOUSING : BLACK POLYPROPYLENE, PP-1040
 FLAMMABILITY RATING -UL94-HB, UL FILE NO. E216959
 TEMPERATURE RANGE: -10°C to +100°C
 RIVETS: BRASS, NICKLE PLTD.
 SPRING: SPRING STEEL, NICKLE PLTD.
 WIRE: 26AWG, UL1007, CSA, TR64
 9VOLT SNAPS: BRASS, NICKLE PLATED
 CONTACT RESISTANCE: UNDER 50mΩ FOR +/-
 CONTACTS PER EIA-540J000
 ROHS COMPLIANT

L- Solder Lugs
 W-(6") Wire Leads
 SF-9Volt type snaps
 B- Bump plates

Tolerance (Except as noted)	 Memory Protection Devices, Inc 200 Broad Hollow Road, Farmingdale, New York 11735	Scale	Drawn By T.S.
decimal ±.5 (.020)		1=1	Approved By T.B.
Fractional ±.8 (.030)	Title FOUR "C" CELL HOLDER		
Angular ± 3°	Date 3/07/08	Drawing Number BH24CSF	