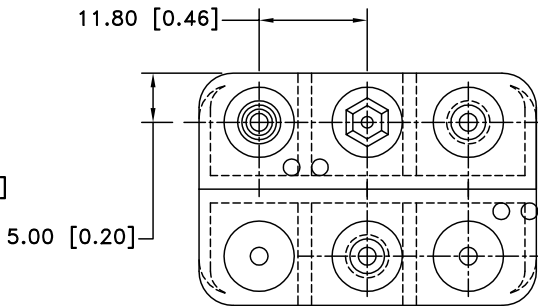
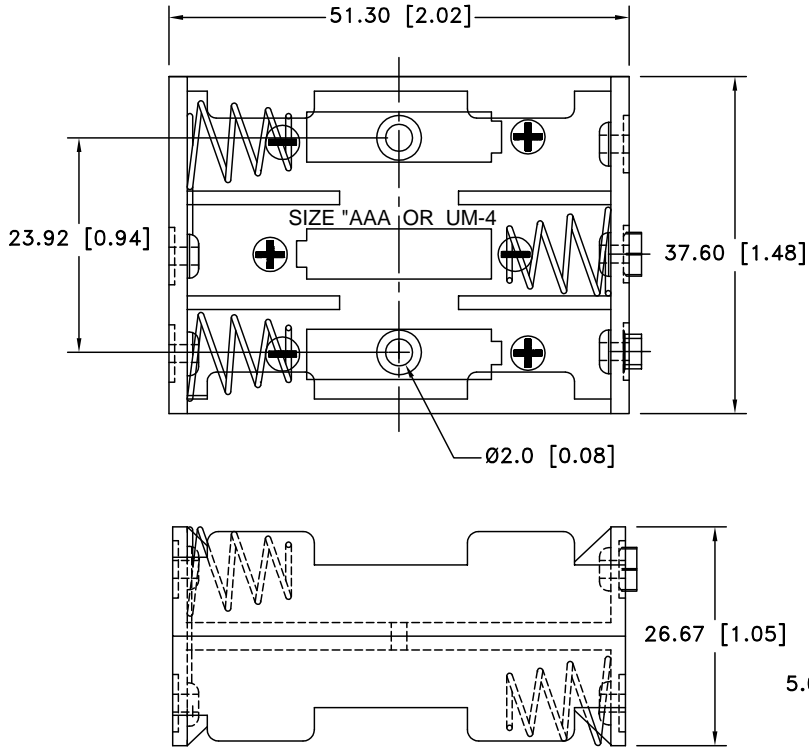



Date	SYM	REVISION RECORD	AUTH	DR.	CK.
5/13/06	A	ADDED "ROHS COMPLIANT" UPDATED MATERIAL SPEC.	T.B.	B.S.	



NOTES:

- Plastic material - Polypropylene, Black
- Flammability Rating -UL94-HB, UL File NO. E216959
- Temperature Range: -10°C to +100°C
- Springs - Nickel Plated Spring Steel
- Wire - 26 AWG, UL1007, CSA, TR64
- Rivets - Brass, Nickel Plated
- 9Volt Snaps - Brass, Nickel Plated
- Contact Resistance: Under 50mΩ for +/- contacts per EIA-540J000
- ROHS COMPLIANT

Tolerance (Except as noted)	 Memory Protection Devices, Inc 200 Broad Hollow Road, Farmingdale, New York 11735		
decimal ± .5 (.020)		Scale	Drawn By B.S.
Fractional ± .8 (.030)	Title SIX "AAA" CELL HOLDER		
Angular ± 3°	Date 5/13/06	Drawing Number BH26AAASF	
			Approved By T.B.