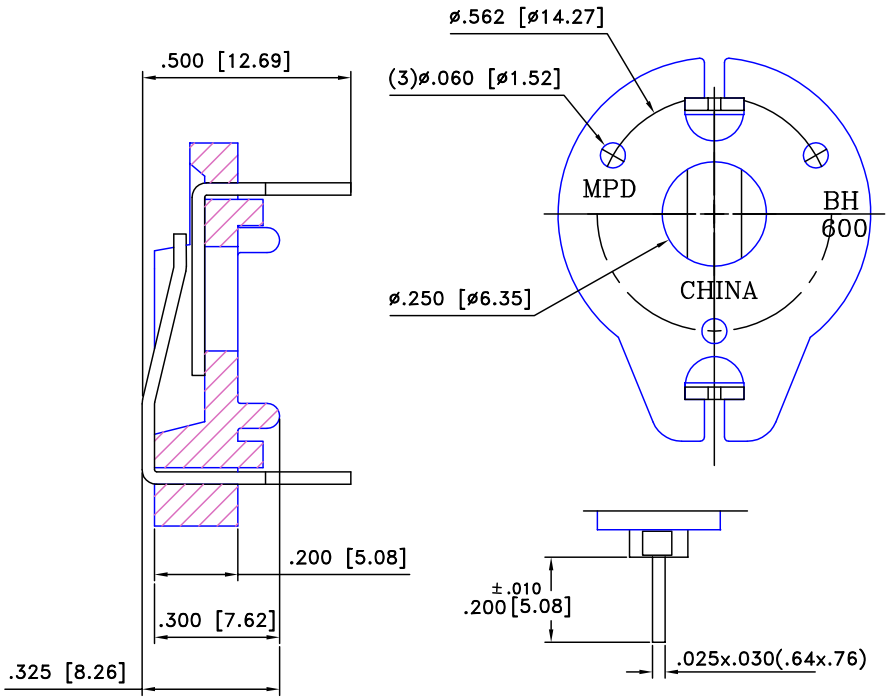
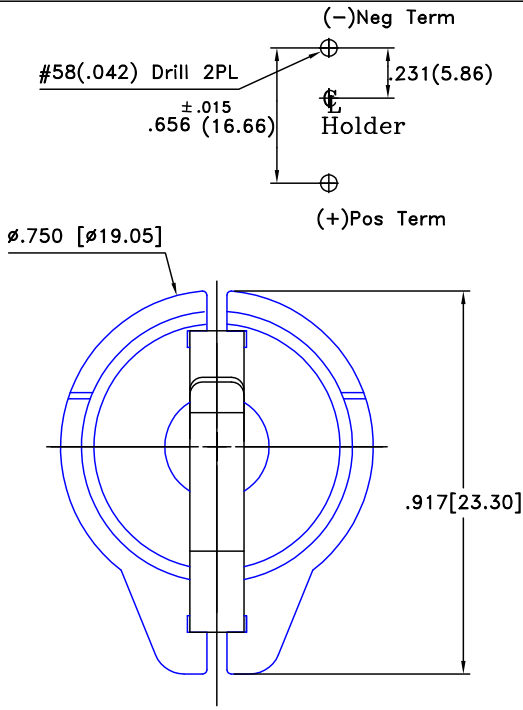



Date	SYM	REVISION RECORD	AUTH	DR.	CK.



Square Contact Detail

SPECIFICATIONS

- *Holder material—thermoplastic, black PBT
 - *Flammability rating—UL94V-0, File No.88499(M)
 - *Contacts—Phosphor Bronze spring temper
Gold Flash Finish
 - *Dielectric strength—560volts/mil at 25°C for 5seconds
 - *Temperature range— -55° to +180°C
 - *RESistance to solvents—Xylene,ethyl,butyl,methyl&proptl
alcohol;ethyl acetate,heptane;toluene;refrigerant
- ROHS COMPLIANT

Tolerance (Except as noted)	 Memory protection Devices, Inc 200 Broad Hollow Road, Farmingdale, New York 11735		
decimal ± .5 (.020)	Scale 4=1	Drawn By B.S.	Approved By T.B.
Fractional ± .8 (.030)	Title BR/CR/DL 1620/1632 COIN BATTERY HOLDER		
Angular ± 3°	Date 3/18/06	Drawing Number BH600-G	