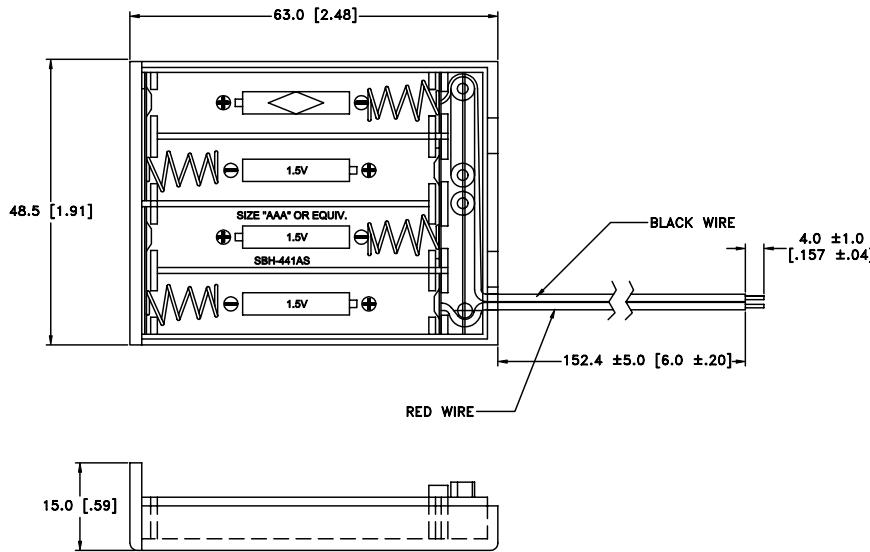
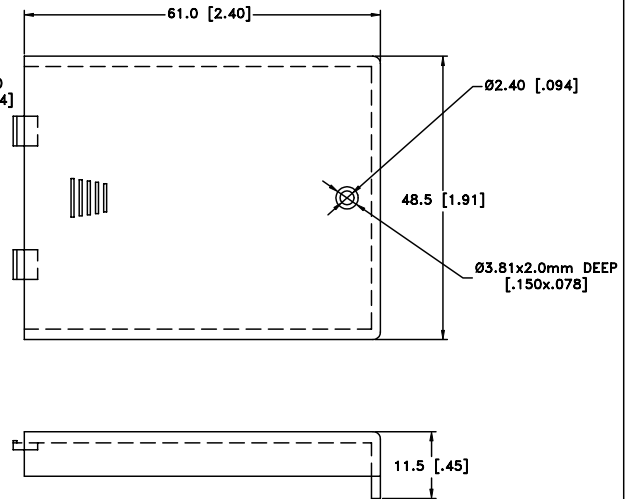


| Date | SYM | REVISION RECORD | AUTH | DR. | CK. |
|------|-----|-----------------|------|-----|-----|
|      |     |                 |      |     |     |
|      |     |                 |      |     |     |
|      |     |                 |      |     |     |
|      |     |                 |      |     |     |




**BOTTOM-HOUSING**



**TOP COVER**

**NOTES:**

1. ITEM NO. SBH-441A
2. MATERIAL:  
 HOUSING AND COVER: BLACK ABS  
 WIRE: UL1007, AWG #26, BLACK AND RED-152.4mm LONG,  
 STRIPPED AND TINNED- 5mm LONG  
 SPRING: 0.5mm, 65C, SPRING WIRE

|                                |   |                  |  |
|--------------------------------|---|------------------|--|
| Tolerance<br>(Except as noted) |  <b>Memory Protection Devices, Inc</b><br>200 Broad Hollow Road, Farmingdale, New York 11735 |                  |  |
| decimal<br>±.5 (.020)          | Scale   | Drawn By B.S.    |  |
| Fractional<br>± .8 (.030)      | Title   | Approved By T.B. |  |
| Angular<br>± 3°                | Date  | Drawing Number   |  |
|                                | 04/07/01  | SBH-441A         |  |