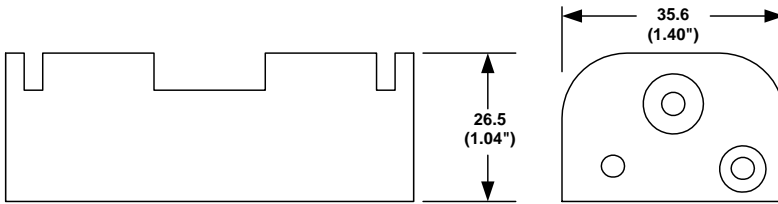
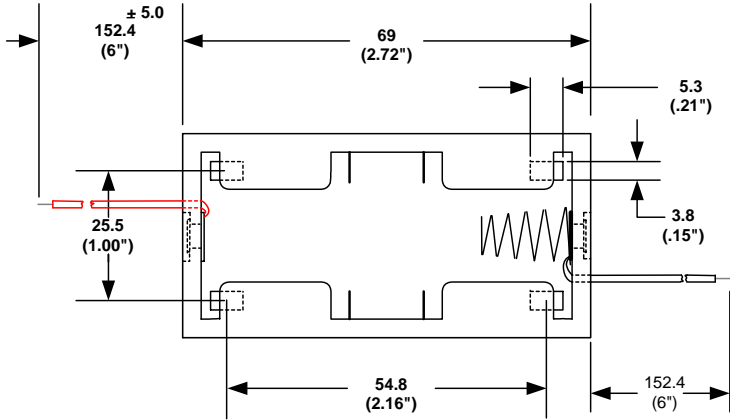


DATE	SYM	REVISION RECORD	AUTH	DR.	CK.



WIRE LEADS SHOWN ABOVE


ORDERING CODE BHD

SPECIFICATIONS :

- Plastic material - polypropylene
- Springs - nickel plated spring steel
- Wire - 152.4 mm Ref.Long 26 AWG, UL1007, CSA - TR-64, 300V, 80 C.
- Rivets - Brass, nickel plated
- 9 Volts Snaps - Brass, nickel plated

SOLDER LUGS = L
(6") WIRE LEADS = W

Note: Dimensions in mm. (inches)

TOLERANCES (EXCEPT AS NOTED)		 Memory Protection Devices, Inc. 200 Broad Hollow Road, Farmingdale, New York 11735	
DECIMAL	<input type="text"/>	SCALE	DRAWN BY S.C.
+ .5 (.020") - .5 (.020")		APPROVED BY	
FRACTIONAL	TITLE		
+ .8 (.030") - .8 (.030")	ONE "D" CELL HOLDER		
ANGULAR	DATE	DRAWING NUMBER	
+ 3° - 3°	11/06/2000	BHDW	