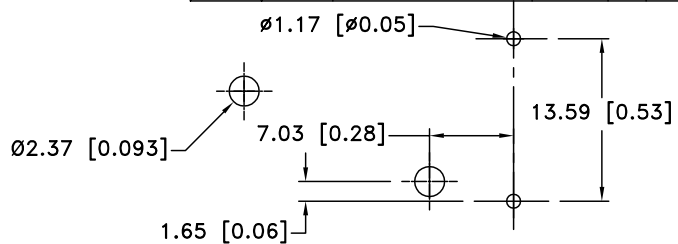
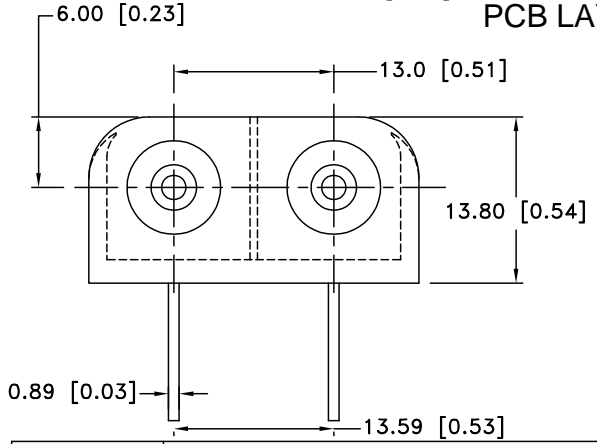


Date	SYM	REVISION RECORD	AUTH	DR.	CK.
9/10/06	A	ADDED "ROHS COMPLIANT"	T.B.	B.S.	




PCB LAYOUT



SPECIFICATION:

- 1. MATERIAL:
- HOUSING : BLACK POLYPROPYLENE, PP-1040
- FLAMMABILITY RATING -UL94-HB, UL FILE NO. E216959
- TEMPERATURE RANGE: -10°C to +100°C
- RIVETS: BRASS, NICKLE PLTD.
- SPRING: SPRING STEEL, NICKLE PLTD.
- WIRE: 26AWG, UL1007, CSA, TR64
- 9VOLT SNAPS: BRASS, NICKLE PLATED
- CONTACT RESISTANCE: UNDER 50mΩ FOR +/- CONTACTS PER
- EIA-540J000
- ROHS COMPLIANT

Tolerance (Except as noted)	 Memory Protection Devices, Inc 200 Broad Hollow Road, Farmingdale, New York 11735	Scale	Drawn By B.S.
decimal ± .5 (.020)		Approved By T.B.	
Fractional ± .8 (.030)	Title TWO "N" CELL HOLDER		
Angular ± 3°	Date 9/10/06	Drawing Number BH2NPC	