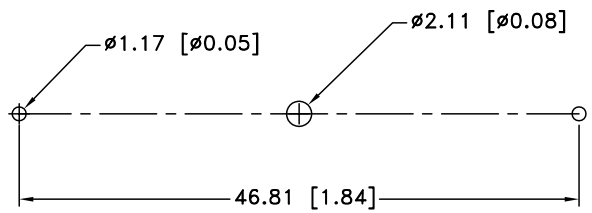
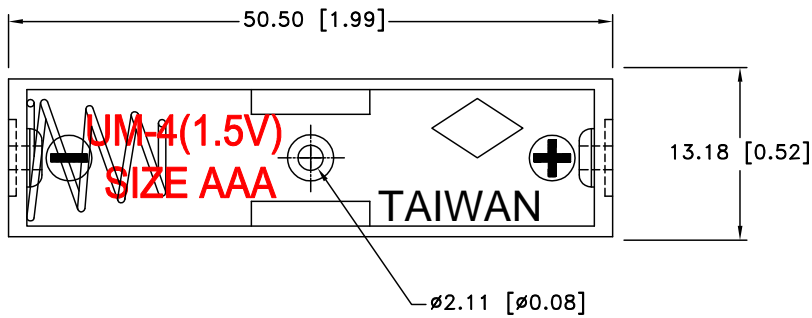
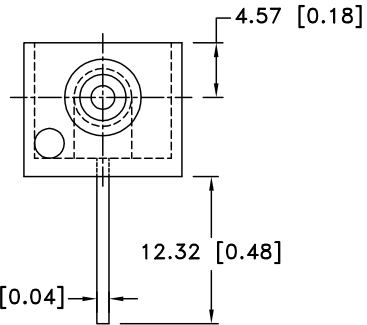
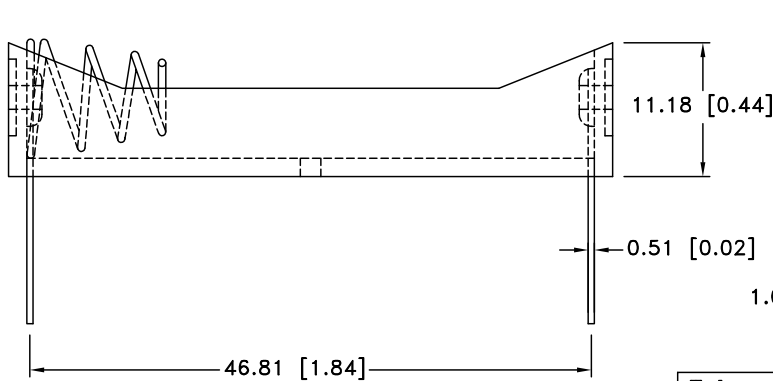


Date	SYM	REVISION RECORD	AUTH	DR.	CK.
7/29/06	A	ADDED "ROHS COMPLIANT"	T.B.	B.S.	




PCB LAYOUT



NOTES:

1. MATERIAL:
 HOUSING : BLACK ABS
 RIVETS: BRASS, NICKLE PLTD.
 SPRING: SPRING STEEL, NICKLE PLTD.
 CONTACTS: SPRING STEEL, NICKLE PLTD.
 ROHS COMPLIANT

Tolerance (Except as noted)	 Memory Protection Devices, Inc 200 Broad Hollow Road, Farmingdale, New York 11735	Scale	Drawn By B.S.
decimal $\pm .5$ (.020)		Approved By T.B.	
Fractional $\pm .8$ (.030)	Title ONE "AAA" CELL HOLDER		
Angular $\pm 3^\circ$	Date 7/29/06	Drawing Number BCAAAPC	