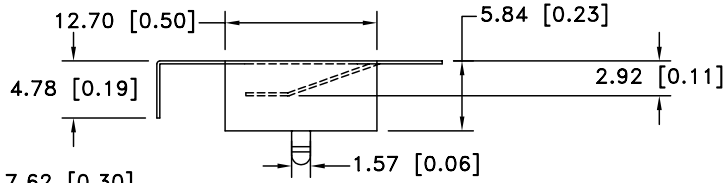
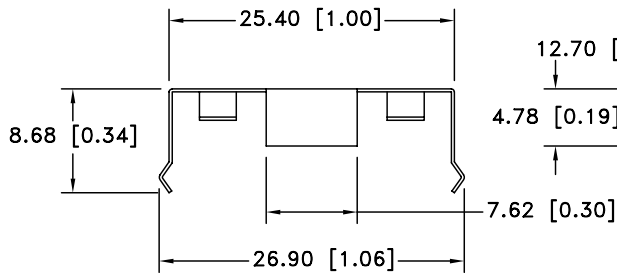
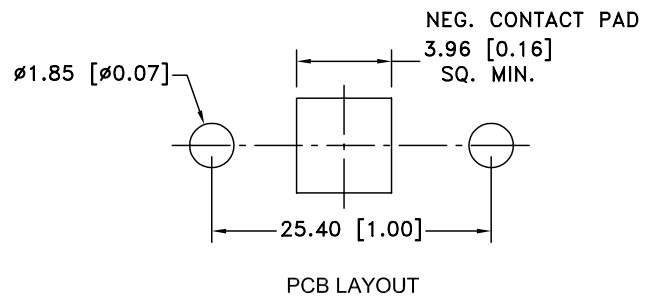
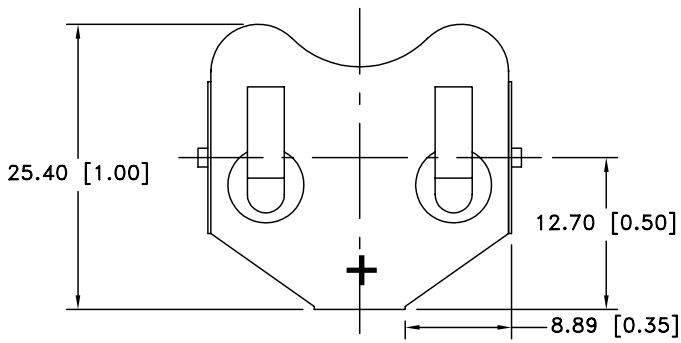



Date	SYM	REVISION RECORD	AUTH	DR.	CK.
02/12/05	A	REVISED DRAWING	T.B.	B.S.	
1/07/06	B	ADDED "ROHS COMPLIANT"	T.B.	B.S.	



NOTES:

- MATERIAL:
0.25mm PHOSPHOR BRONZE, NICKLE PLTD.
- ROHS COMPLIANT

Tolerance (Except as noted)	 Memory Protection Devices, Inc 200 Broad Hollow Road, Farmingdale, New York 11735	Scale	Drawn By B.S.
decimal ± .5 (.020)		Approved By T.B.	
Fractional ± .8 (.030)	Title COIN CELL RETAINER FOR 2450 BATTERIES		
Angular ± 3°	Date 1/07/06	Drawing Number BK-880	

CELL SIZE	RETAINS BATTERY NUMBERS
24mm	CR2450, DL2450