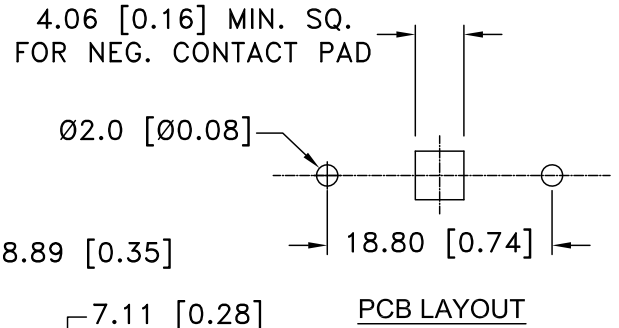
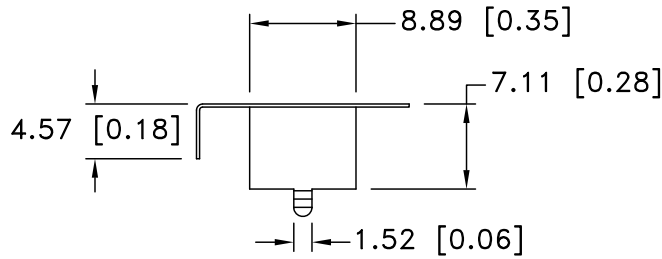
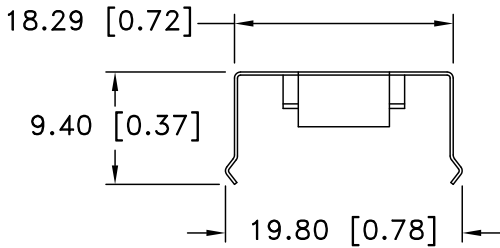
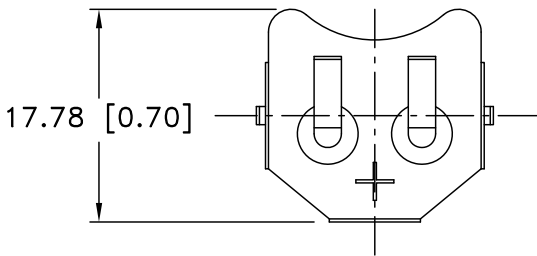



Date	SYM	REVISION RECORD	AUTH	DR.	CK.
9/10/06	A	ADDED "ROHS COMPLIANT"	T.B.	B.S.	
3/26/10	B	ADDED DIM. 1.52 AND DIM. Ø2.0	T.B.	B.S.	



NOTES:

- MATERIAL:
0.25mm (0.010") PHOSPHOR BRONZE, NICKEL PLTD.
ROHS COMPLIANT

Tolerance (Except as noted)	 Memory Protection Devices, Inc 200 Broad Hollow Road, Farmingdale, New York 11735		
decimal ±.5 (.020)	Scale	Drawn By B.S.	
Fractional ±.8 (.030)	Title	1159-16 i-BUTTON THRU HOLE RETAINER	
Angular ± 3°	Date	Drawing Number	
	3/26/10	BK-5010	