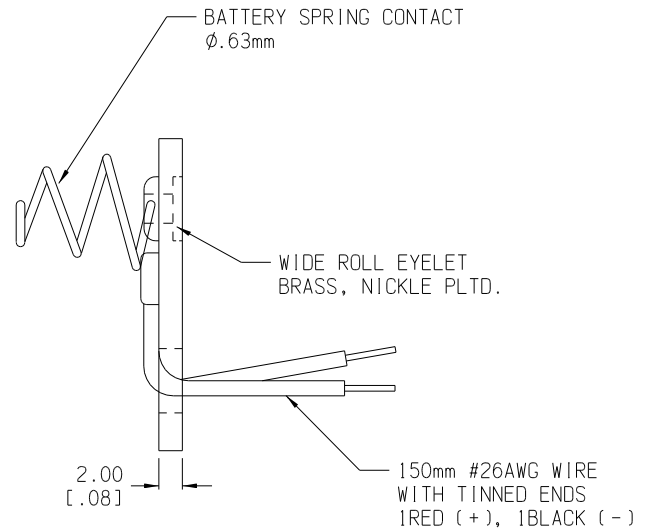
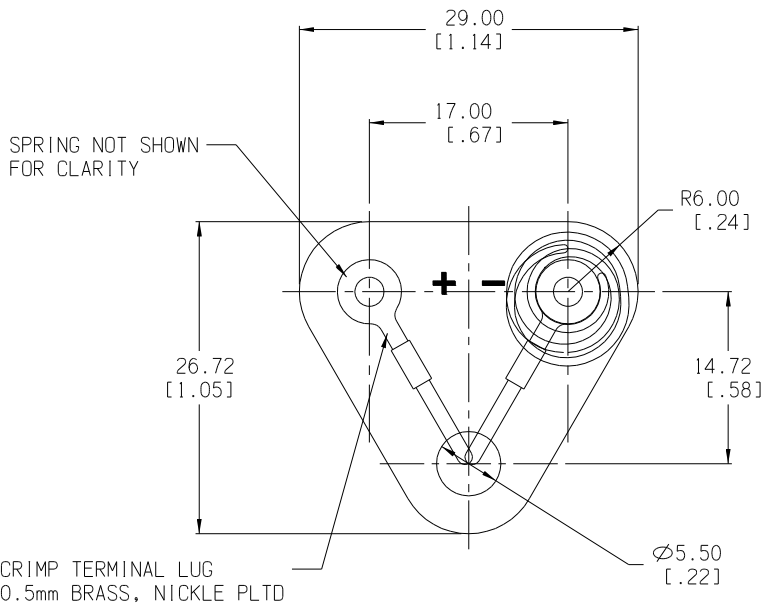



Date	SYM	REVISION RECORD	AUTH	DR	CK
6/24/06	A	Added "ROHS COMPLIANT"	T.B.	B.S.	



NOTES:

MATERIAL:

PLATE: POLYPROPYLENE WITH 10% TALC
 SPRING: SPRING TEMPER STAINLESS STEEL, NICKLE PLATED
 WIRE: UL1007, CSA-TR64, 80°C, 300V
 ROHS COMPLIANT

Tolerance (Inches)	 Memory Protection Devices, Inc 200 Broad Hollow Road, Farmingdale, New York 11735		
Decimal ±.5 (.020)	Scale	Drawn By B.S. Approved By T.B.	
Fractional ± .8 (.030)	Title ELECTRICAL PLATE WITH SPRINGS AND WIRES		
Angular ± 3°	Date 6/24/06	Drawing Number DU1-M-306	