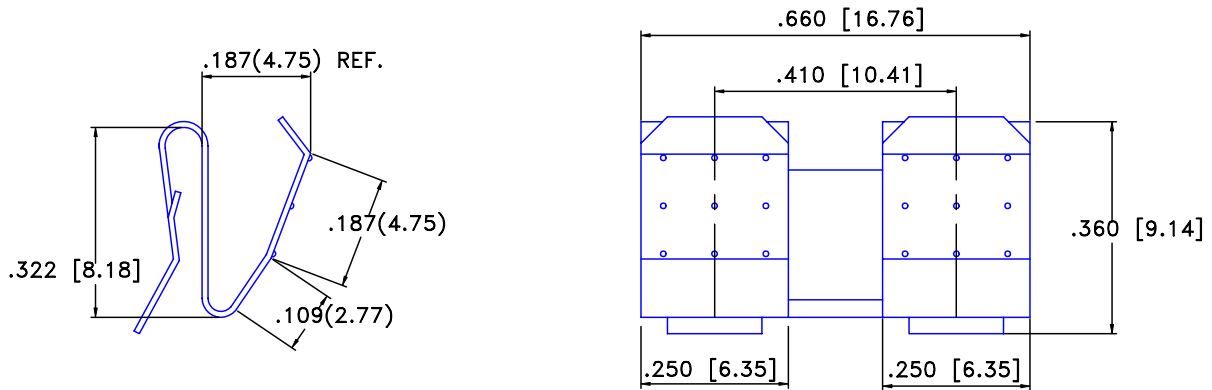



Date	SYM	REVISION RECORD	AUTH	DR.	CK.



MATERIAL:
.010" SPRING TEMPER STAINLESS STEEL, NICKEL PLATED

Tolerance (Except as noted)	 Memory protection Devices, Inc 200 Broad Hollow Road, Farmingdale, New York 11735		
decimal ±.5 (.020)		Scale 4=1	Drawn By T.S. Approved By T.B.
Fractional ± .8 (.030)	Title BATTERY CONTACT, AAA OR N		
Angular ± 3°	Date 3/24/01	Drawing Number BK-202	