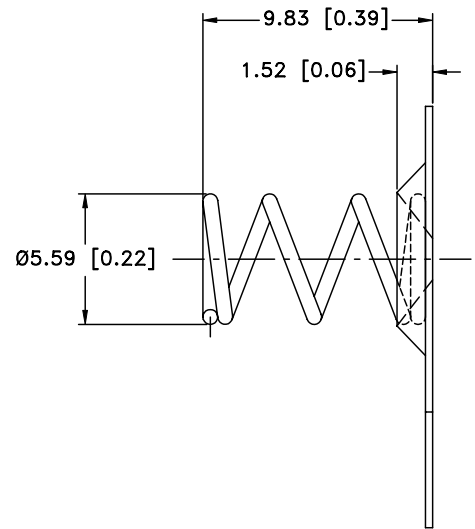
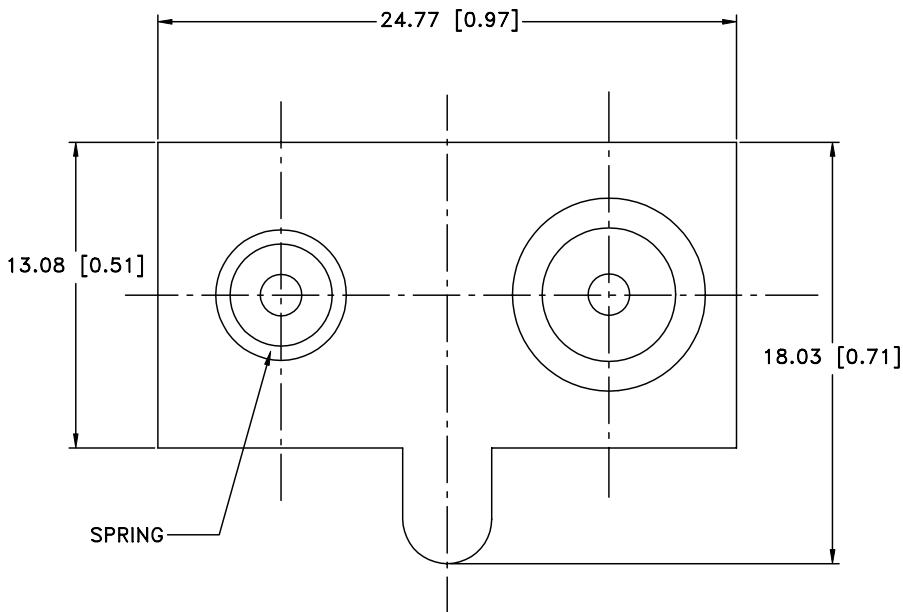



| Date | SYM | REVISION RECORD | AUTH | DR. | CK. |
|------|-----|-----------------|------|-----|-----|
|      |     |                 |      |     |     |
|      |     |                 |      |     |     |
|      |     |                 |      |     |     |
|      |     |                 |      |     |     |
|      |     |                 |      |     |     |



**NOTES:**

1. BASE: BRASS, 0.3mm (0.012") THICK. NICKLE PLTD.
2. SPRING: STEEL, 0.61mm (0.024") THICK. NICKLE PLTD.

|                                |   |                                 |  |
|--------------------------------|---|---------------------------------|--|
| Tolerance<br>(Except as noted) |  <b>Memory Protection Devices, Inc</b><br>200 Broad Hollow Road, Farmingdale, New York 11735 |                                 |  |
| decimal<br>±.5 (.020)          | Scale   | Drawn By B.S.                   |  |
| Fractional<br>± .8 (.030)      | Title   | "AA" BATTERY COMMON CONTACT     |  |
| Angular<br>± 3°                | Date<br>10/04/03  | Drawing Number<br>SN-T5-4-BRASS |  |
| Approved By T.B.               |   |                                 |  |