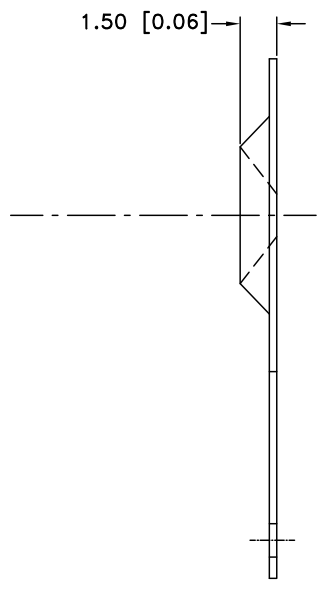
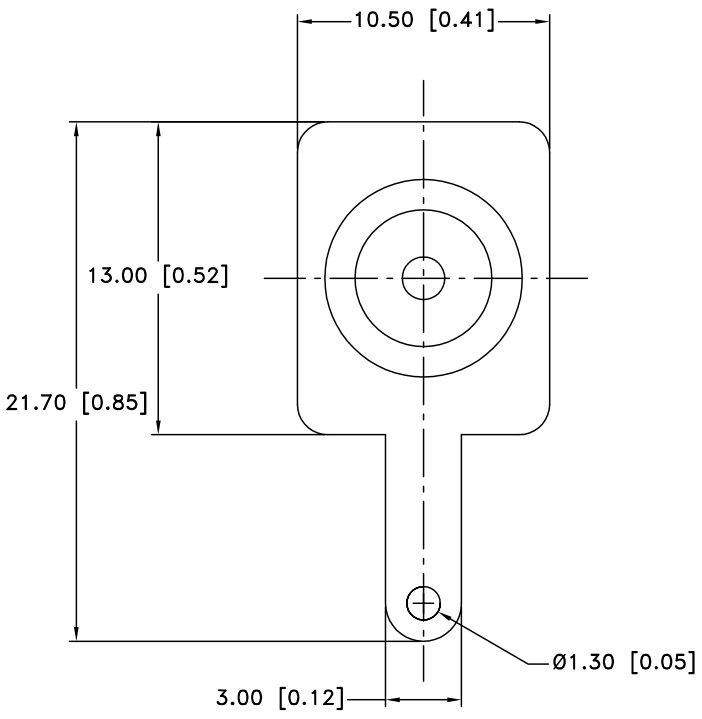



Date	SYM	REVISION RECORD	AUTH	DR.	CK.



NOTES:  
 1. BASE: BRASS, 0.3mm (0.012") THICK. NICKEL PLATED.  
 2. ROHS COMPLIANT

Tolerance (Except as noted)	 <b>Memory Protection Devices, Inc</b> 200 Broad Hollow Road, Farmingdale, New York 11735	Scale	Drawn By B.S.
decimal ± .5 (.020)		Approved By T.B.	
Fractional ± .8 (.030)	Title "AA" BATTERY POSITIVE CONTACT		
Angular ± 3°	Date 12/02/06	Drawing Number SN-T5-2-BRASS	