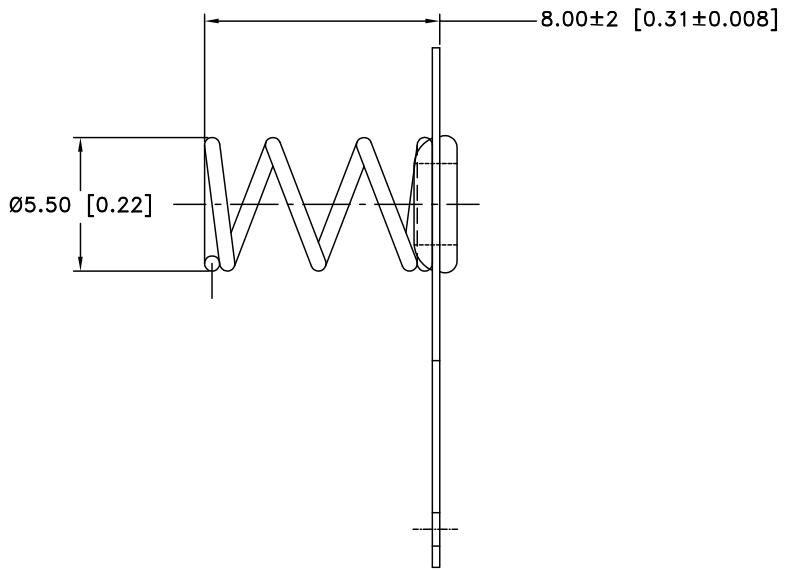
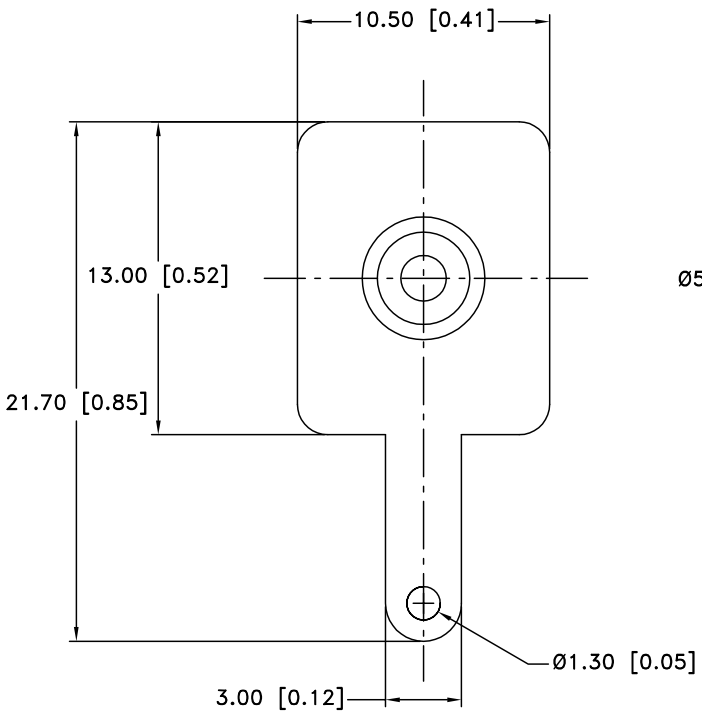



Date	SYM	REVISION RECORD	AUTH	DR.	CK.
6/24/06	A	ADDED "ROHS COMPLIANT"	T.B.	B.S.	



- NOTES:
1. BASE: BRASS, 0.3mm (0.012") THICK. NICKEL PLATED.
  2. SPRING: SWG 60C ELASTIC STEEL, 0.61mm (0.024") THICK. NICKLE PLATED.
  3. ROHS COMPLIANT

Tolerance (Except as noted)	 <b>Memory Protection Devices, Inc</b> 200 Broad Hollow Road, Farmingdale, New York 11735		
decimal ± .5 (.020)	Scale	Drawn By B.S.	
Fractional ± .8 (.030)	Title	"AA" BATTERY NEGATIVE CONTACT	
Angular ± 3°	Date 6/24/06	Drawing Number SN-T5-1-BRASS	
		Approved By T.B.	