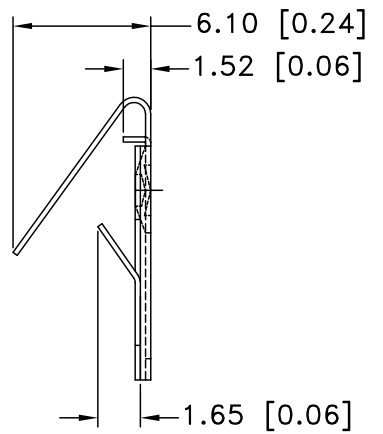
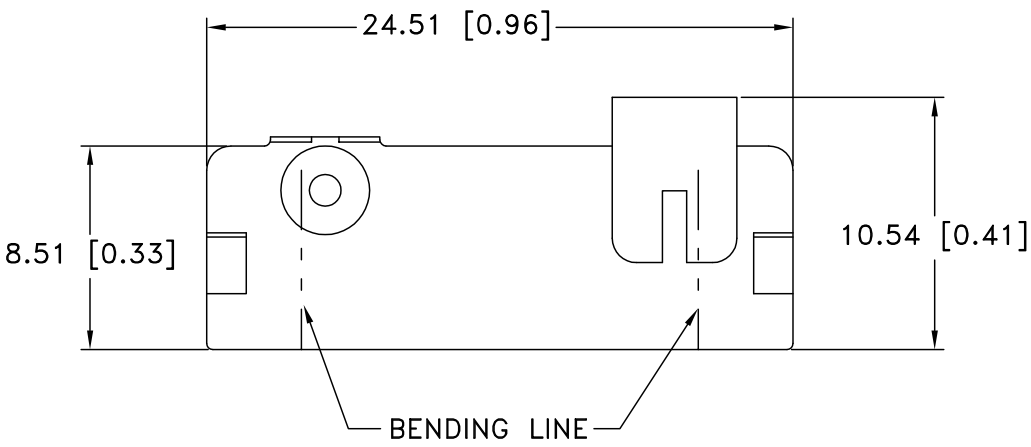



Date	SYM	REVISION RECORD	AUTH	DR.	CK.
9/10/06	A	ADDED "ROHS COMPLIANT"	T.B.	B.S.	



- NOTES:  
 1. PHOSPHOR BRONZE, 0.25mm (0.010") THICK. NICKLE PLTD.  
 2. ROHS COMPLIANT

Tolerance (Except as noted)	 Memory Protection Devices, Inc 200 Broad Hollow Road, Farmingdale, New York 11735
decimal ± .5 (.020)	Scale Drawn By B.S. Approved By T.B.
Fractional ± .8 (.030)	Title "AAA" BATTERY COMMON CONTACT
Angular ± 3°	Date 9/10/06 Drawing Number SN-T7-02A