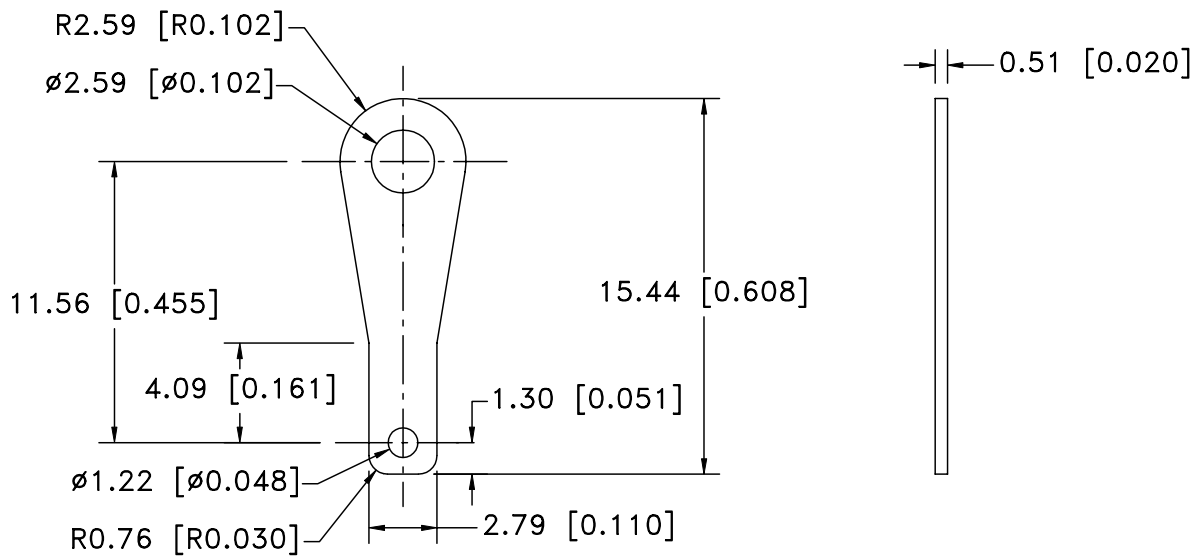



Date	SYM	REVISION RECORD	AUTH	DR.	CK.



NOTES:

MATERIAL: 0.51mm (0.020") THICK BRASS, TIN PLATED

Tolerance (Except as noted)	 Memory Protection Devices, Inc 200 Broad Hollow Road, Farmingdale, New York 11735		
decimal ±.5 (.020)		Scale	Drawn By B.S. Approved By T.B.
Fractional ± .8 (.030)	Title 0.110" STRAIGHT QUICK FIT TERMINAL		
Angular ± 3°	Date 05/18/01	Drawing Number ABG-05	