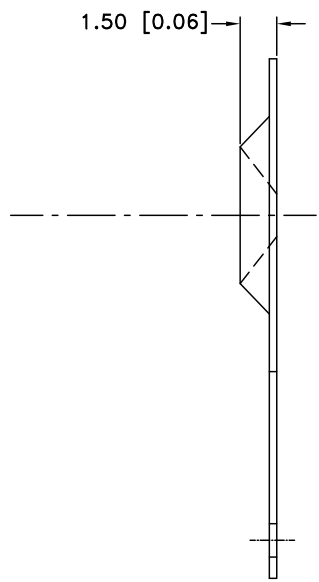
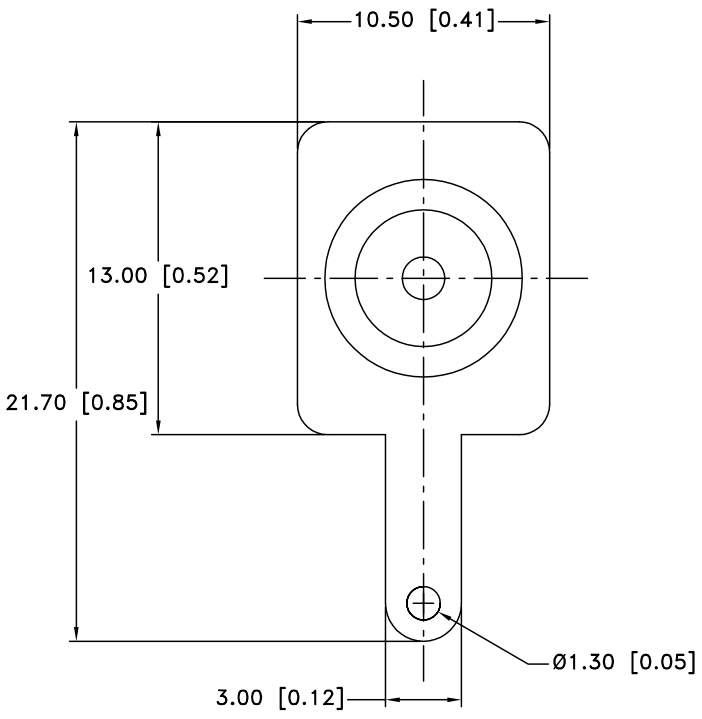



Date	SYM	REVISION RECORD	AUTH	DR.	CK.
08/18/05	A	BASE MATERIAL WAS BRASS	T.B.	B.S.	
4/15/06	B	ADDED "ROHS COMPLIANT"	T.B.	B.S.	



NOTES:
 1. BASE: STEEL, 0.3mm (0.012") THICK. ELECTROLYTIC TIN PLATED.
 2. ROHS COMPLIANT

Tolerance (Except as noted)	 Memory Protection Devices, Inc 200 Broad Hollow Road, Farmingdale, New York 11735
decimal ± .5 (.020)	Scale Drawn By B.S. Approved By T.B.
Fractional ± .8 (.030)	Title "AA" BATTERY POSITIVE CONTACT
Angular ± 3°	Date 4/15/06 Drawing Number SN-T5-2