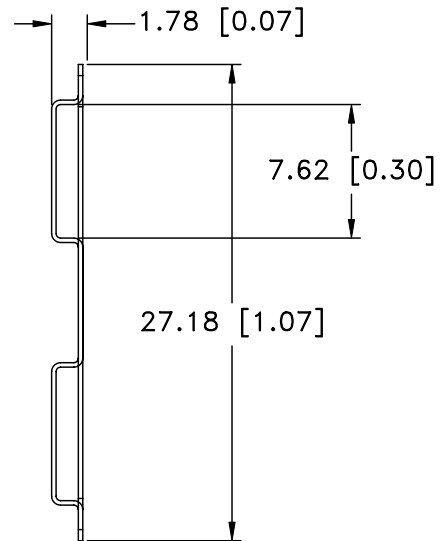
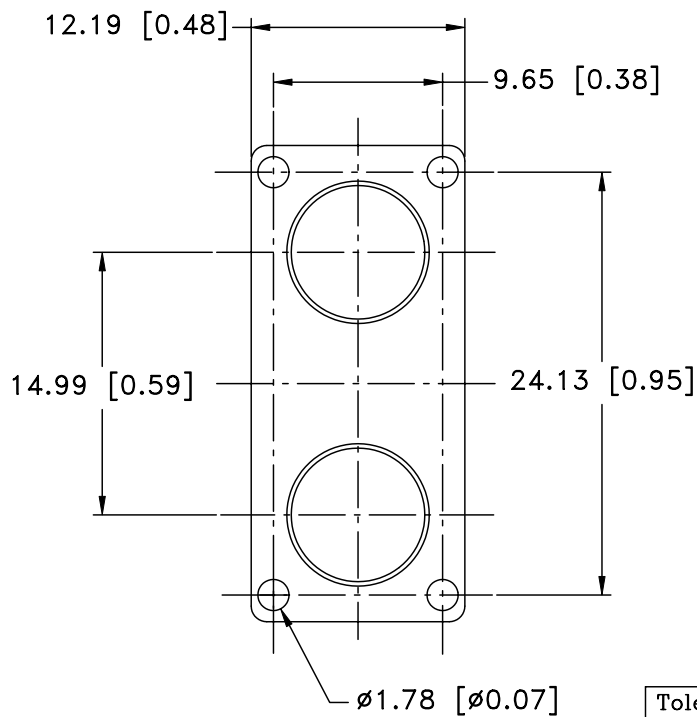



Date	SYM	REVISION RECORD	AUTH	DR.	CK.
01/31/04	A	MATERIAL WAS HARD DRAWN STEEL	T.B.	B.S.	



**NOTES:**

1. MATERIAL: STEEL, 0.25mm [0.010"] THICK.
2. COATING: COPPER FLASH COATED.
3. FINISH: NICKLE PLTD.

Tolerance (Except as noted)	 <b>Memory Protection Devices, Inc</b> 200 Broad Hollow Road, Farmingdale, New York 11735		
decimal ±.5 (.020)		Scale	Drawn By B.S.
Fractional ± .8 (.030)	Title "AAA" CONTACT		
Angular ± 3°	Date 01/31/04	Drawing Number SNT7-06A	