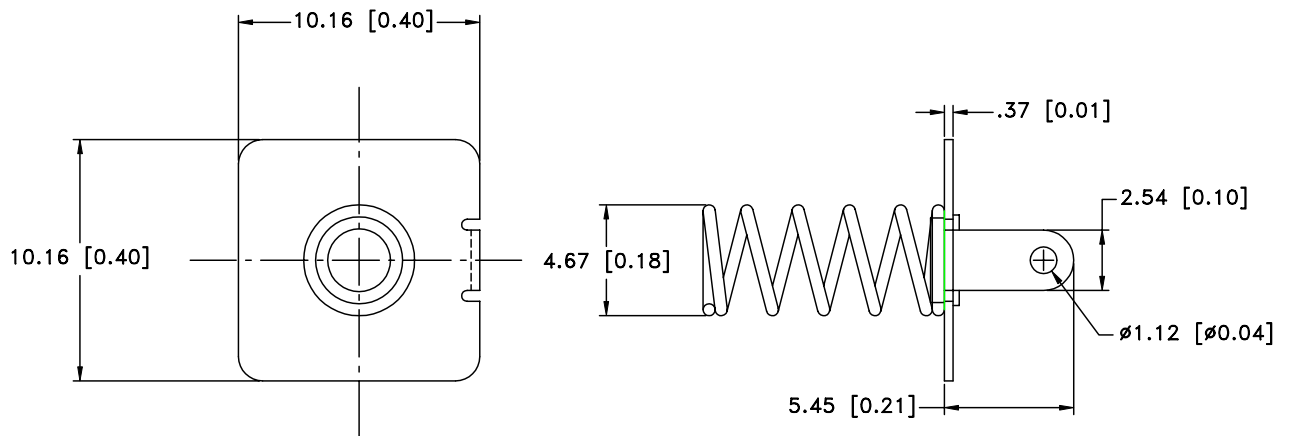



Date	SYM	REVISION RECORD	AUTH	DR.	CK.



NOTES:

1. BASE: HARD DRAWN STEEL, 0.3mm (0.012") THICK. NICKLE PLTD. OVER COPPER FLASH COATING.
2. SPRING: STEEL A227, 0.51mm (0.02") THICK. NICKLE PLTD.

Tolerance (Except as noted)	 Memory Protection Devices, Inc 200 Broad Hollow Road, Farmingdale, New York 11735		
decimal ±.5 (.020)		Scale	Drawn By B.S.
Fractional ± .8 (.030)	Title "AAA" BATTERY NEGATIVE CONTACT		
Angular ± 3°	Date 04/10/01	Drawing Number SNT7-05A	
			Approved By T.B.