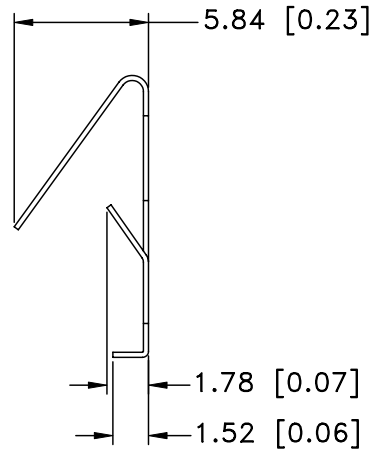
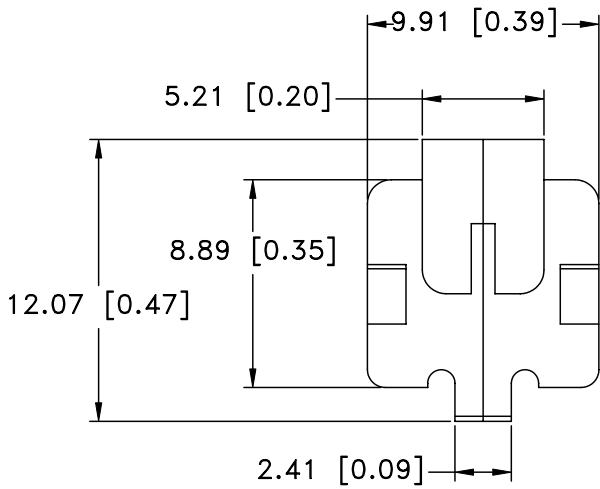



Date	SYM	REVISION RECORD	AUTH	DR.	CK.
11/01/03	A	ADDED DIMENSION 9.91(0.39)	T.B.	B.S.	



NOTES:
 1. PHOSPHOR BRONZE, 0.2mm (0.008") THICK. NICKLE PLTD.

Tolerance (Except as noted)	 Memory Protection Devices, Inc 200 Broad Hollow Road, Farmingdale, New York 11735		
decimal ±.5 (.020)	Scale	Drawn By B.S.	
Fractional ± .8 (.030)	Title	"AAA" BATTERY NEGATIVE CONTACT	
Angular ± 3°	Date 11/01/03	Drawing Number SNT701A	