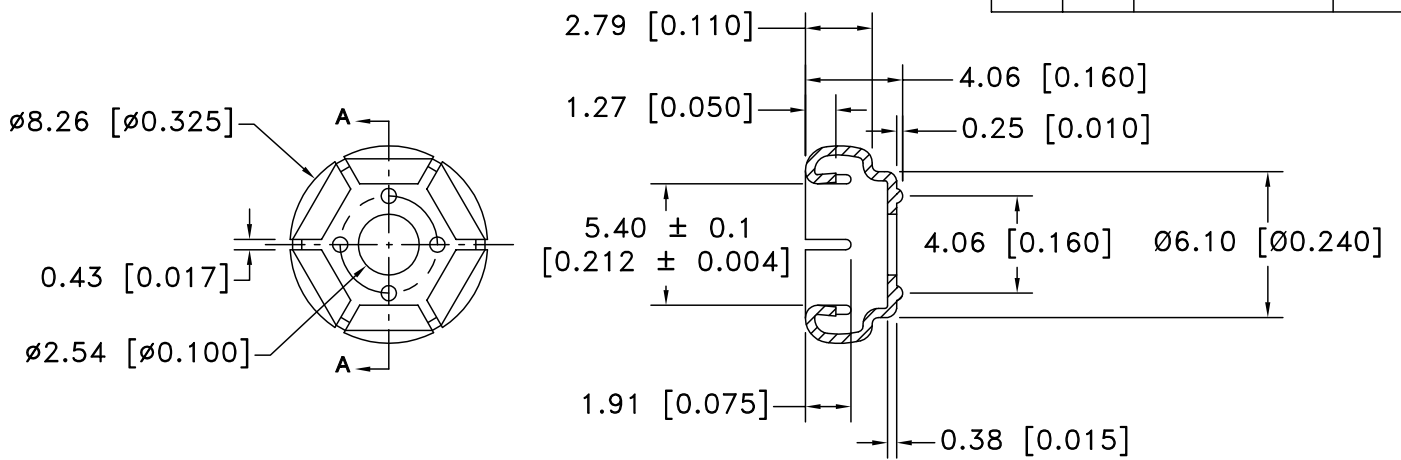



Date	SYM	REVISION RECORD	AUTH	DR.	CK.
2/25/06	A	ADDED "ROHS COMPLIANT"	T.B.	B.S.	
3/11/06	B	DIM. 5.40 WAS 5.25	T.B.	B.S.	



NOTES:  
MATERIAL: BRASS, NICKLE PLTD.  
ROHS COMPLIANT

Tolerance (Except as noted)	 <b>Memory Protection Devices, Inc</b> 200 Broad Hollow Road, Farmingdale, New York 11735		
decimal ± .5 (.020)		Scale	Drawn By B.S. Approved By T.B.
Fractional ± .8 (.030)	Title BATTERY SNAP FEMALE		
Angular ± 3°	Date 3/11/06	Drawing Number BSF	