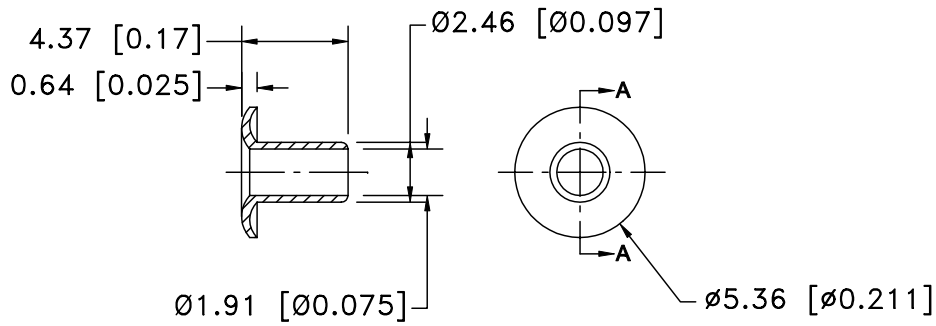



Date	SYM	REVISION RECORD	AUTH	DR.	CK.



NOTES:
MATERIAL: BRASS, NICKLE PLTD.

Tolerance (Except as noted)		Memory Protection Devices, Inc 200 Broad Hollow Road, Farmingdale, New York 11735	
decimal ±.5 (.020)		Scale	Drawn By B.S. Approved By T.B.
Fractional ± .8 (.030)	Title	BATTERY SNAP RIVET	
Angular ± 3°	Date	Drawing Number	
	05/15/01	BSR	